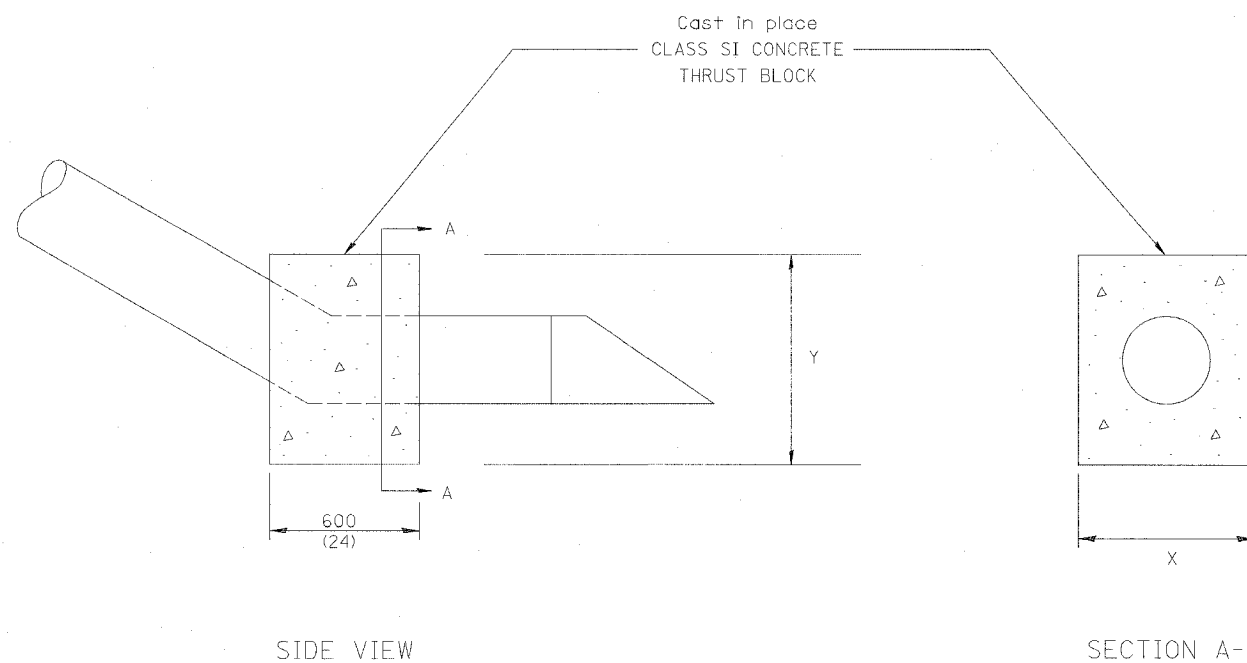


F.A.P. R/E.	SECTION	COUNTY	TOTAL SHEETS	SHEET NO.
315	55-2	MCDONOUGH	1036	624
STA.		TO STA.		
FED. ROAD DIST. NO. 4		ILLINOIS	FED. AID PROJECT	

CONCRETE THRUST BLOCK BILL OF MATERIALS

PIPE SIZE	X	Y	CLASS SI CONCRETE m ³ (cu. yd.)
300(12)	600(24)	600(24)	0.2(0.2)
375(15)	675(27)	675(27)	0.2(0.3)
450(18)	750(30)	750(30)	0.2(0.3)
600(24)	900(36)	900(36)	0.3(0.4)
750(30)	1.07m (3'-6")	1.07m (3'-6")	0.6(0.8)



DESIGNER NOTES:
 1. A THRUST BLOCK SHALL BE INSTALLED WHEN THE DIFFERENCE BETWEEN THE UPSTREAM AND DOWNSTREAM INVERT ELEVATIONS EXCEEDS 900(36) AND GRADE EXCEEDS 10%.
 2. USE WITH DISTRICT CADD STANDARDS: "DITCH CHECK, IF NEEDED. DO NOT USE WITH DISTRICT CADD STANDARDS: "SLOPE DRAIN DETAILS FOR BURIED PIPE" "SLOPE DRAIN DETAILS FOR EXPOSED PIPE".

The contract unit price each for CONCRETE THRUST BLOCK shall include the cost of excavation, CLASS SI CONCRETE and compacted backfill.

QUANTITIES	
CALC. BY: _____	DATE: _____
CHECKED BY: _____	DATE: _____

QUANTITY CALCULATIONS ARE ON FILE AT THE DISTRICT 4 OFFICE; BUREAU OF PROJECT IMPLEMENTATION; DOCUMENTATION SECTION

All dimensions are in millimeters (Inches) unless otherwise noted.

ILLINOIS DEPARTMENT OF TRANSPORTATION	
DISTRICT CADD STANDARD	
CONCRETE THRUST BLOCKS	
CADD STD. NO. 609001-D4	DRAWN BY CADD
SCALE: NOT DRAWN TO SCALE	CHECKED BY
DATE **DATE**	

DATE	REVISIONS	BY
1-1-97	RENUM. J-10.04, NEW REVISION BOX, ADDED QUANTITY CALCULATION BOX.	T.P.

609001-D4