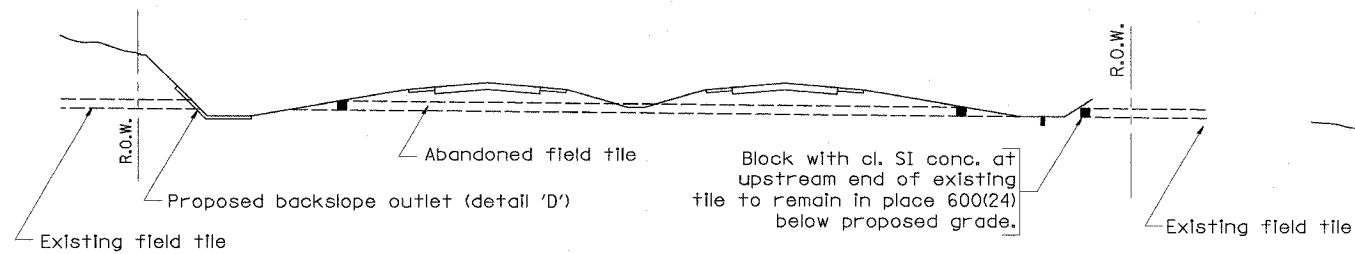
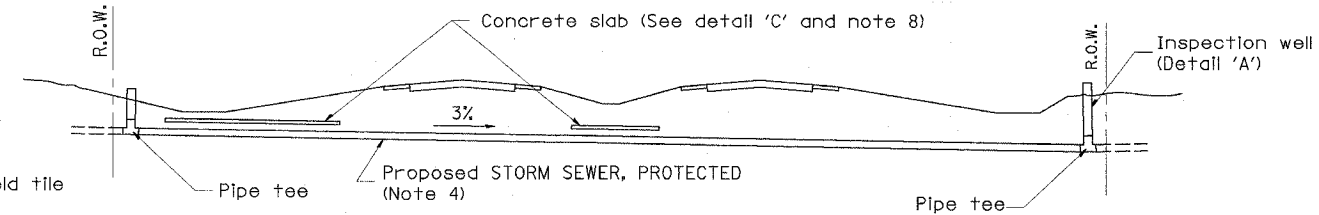


F.A.P. RTE.	SECTION	COUNTY	TOTAL SHEETS	SHEET NO.
315	55-2	McDONOUGH	1036	624A
STA.		TO STA.		
FED. ROAD DIST. NO. 4		ILLINOIS FED. AID PROJECT		



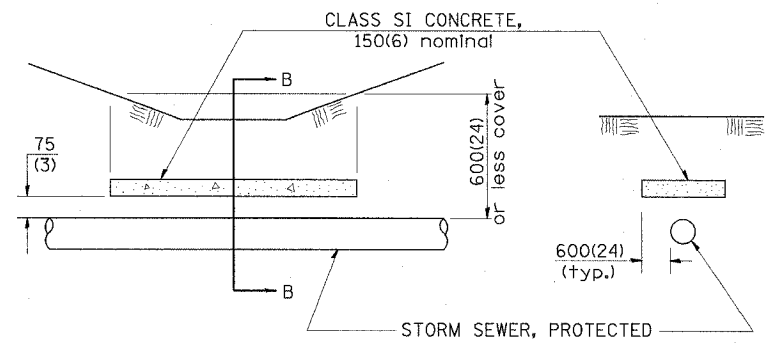
METHOD 'A'

Storm sewer flowline at 150(6) or more above proposed ditch flowline



METHOD 'B'

Storm sewers below proposed ditch flowline



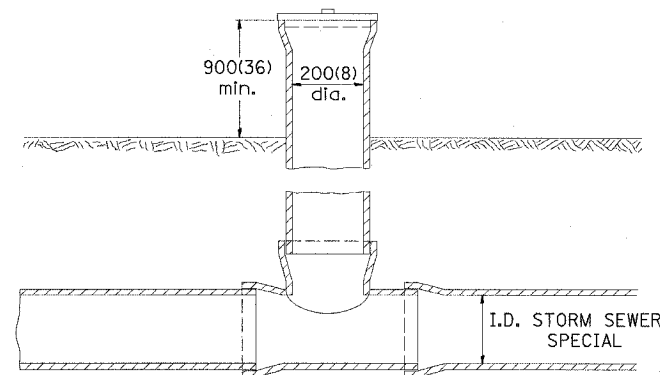
ELEVATION

SECTION B-B

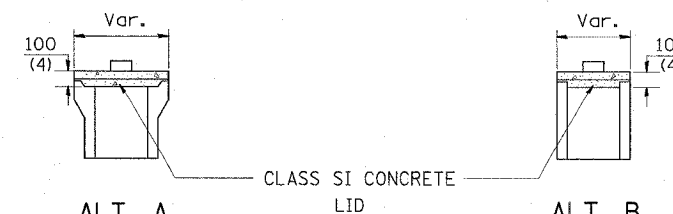
CONCRETE SLAB
Detail "C"

GENERAL NOTES:

- Method 'A' is the preferred method of installation and should be used to minimize non-essential pipe crossing under pavement. The engineer should consider adjusting ditch elevations to accommodate the field tile outletting 150(6) above the ditch flowline.
- Method 'B' shall be used only if ditch elevations cannot be adjusted to accommodate the use of method 'A'.
- Abandoned field tile shall be plugged, as directed by the engineer, cost incidental.
- Non-circular field tile shall be replaced with STORM SEWER, PROTECTED of at least the same cross sectional area. All existing field tile shall be replaced with storm sewer of the type required for the minimum depth of cover.
- STORM SEWER, PROTECTED 200(8) shall be used for the inspection well and riser regardless of existing tile size. PVC pipe shall not be used for inspection wells.
- Inspection wells shall be placed approximately 600(24) inside of both R.O.W. lines at the locations shown on the plans unless arrangements are made by the land acquisition unit to have the wells placed on the property owners side of the R.O.W.
- The inspection well concrete lid shall be constructed of P.C. concrete CLASS SI CONCRETE and provide with a handle shaped from a #15(*4) reinforcing bar.
- The 150(6) concrete slab shall be poured the full length of the trench at the ditch flowline locations within the right of way with less than 600(24) of earth cover P.C. CONCRETE CLASS SI shall be used.
- The existing field tile shall be connected to STORM SEWER, PROTECTED by a P.C. CONCRETE CLASS SI COLLAR as directed by the engineer.
- Applicable portion of the Special Provision for STORM SEWER, PROTECTED apply.



INSPECTION WELL
Detail "A"



INSPECTION WELL CONCRETE LID
Detail "B"

All dimensions are in millimeters (Inches) unless otherwise noted.

ILLINOIS DEPARTMENT OF TRANSPORTATION
DISTRICT CADD STANDARD

STORM SEWER PROTECTED

CADD STANDARD 611001-D4
SCALE: NOT DRAWN TO SCALE
DATE: **DATE**
DRAWN BY: CADD
CHECKED BY:

DATE	REVISIONS	BY
1-1-97	RENUM. A-18.02, NEW REVISION BOX, REVISED TITLE BOX	T.P.
6-1-97	REVISED DRAWING AND TITLE BOX	J.A.

DESIGNER NOTES: USE THIS IN CONJUNCTION WITH SPECIAL PROVISION FOR "STORM SEWER, PROTECTED."

***DATE**

DGN-ONLY

611001-D4