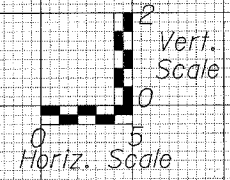
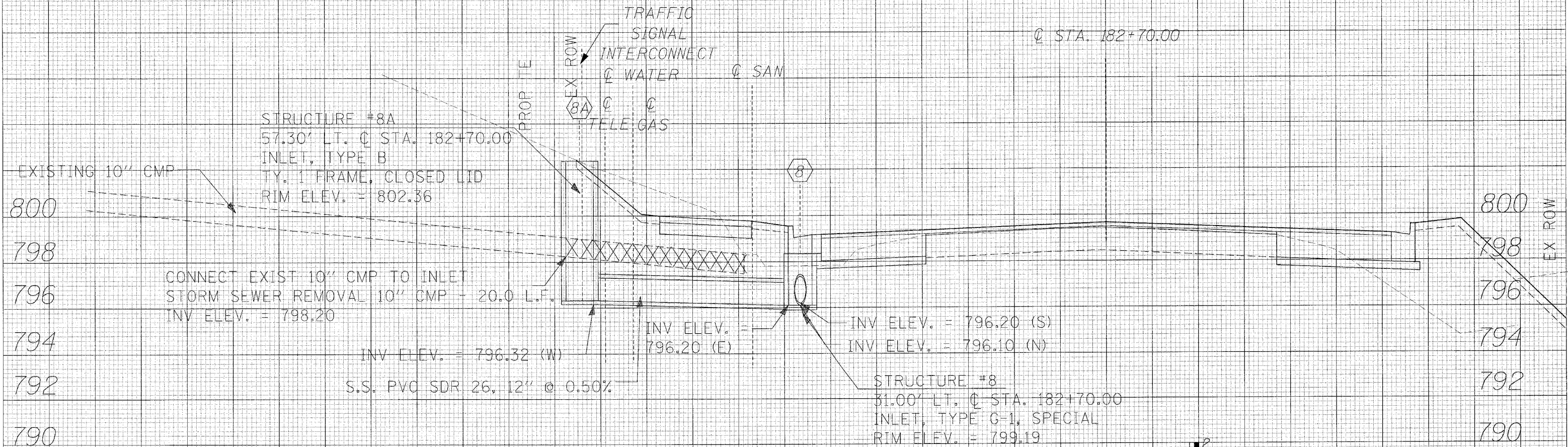
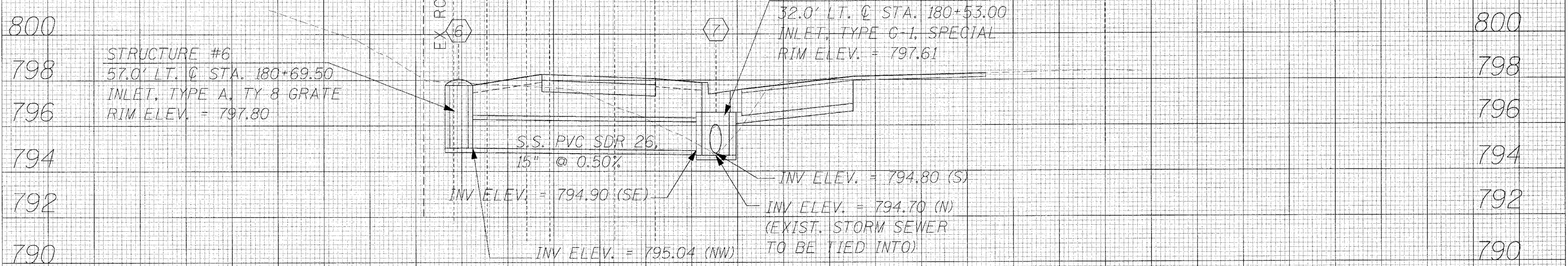


100 80 60 40 20 0 20 40

UNLESS ELEVATIONS ARE SHOWN
ALL UTILITY LOCATIONS SHOWN ON THE CROSS SECTIONS
ARE BASED ON THE APPROXIMATE DEPTH SUPPLIED BY
THE UTILITY COMPANY

DESIGNED BY RMB/RB	PROJECT NO. 136-705	F.A.U. RTE. 6584	SECTION 105R-1	COUNTY PEORIA	TOTAL SHEETS 115	SHEET NO. 42
DRAWN BY AMPH	DATE February 2004	STA. 180+28.31	TO STA.		FED. ROAD DIST. NO. 4 ILLINOIS FED. AID PROJECT	

Q STA. 180+28.31
(SKEWED 36° LT AHEAD)
DISTANCES BASED ON SKEW



PROPOSED STORM
SEWER PROFILES

100 80 60 40 20 0 20 40

DATE
BY
SUBMITTED
PLOTTED
NOTE BOOK
NO.

DATE
BY
SUBMITTED
PLOTTED
NOTE BOOK
NO.