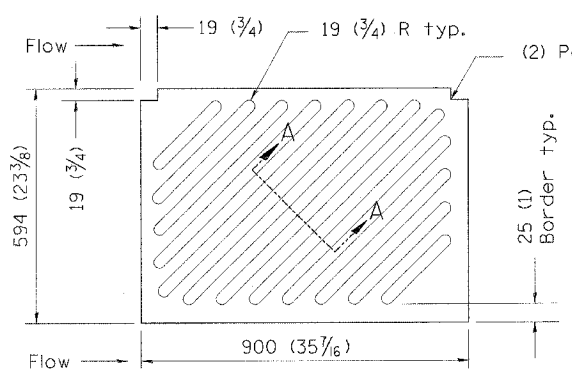
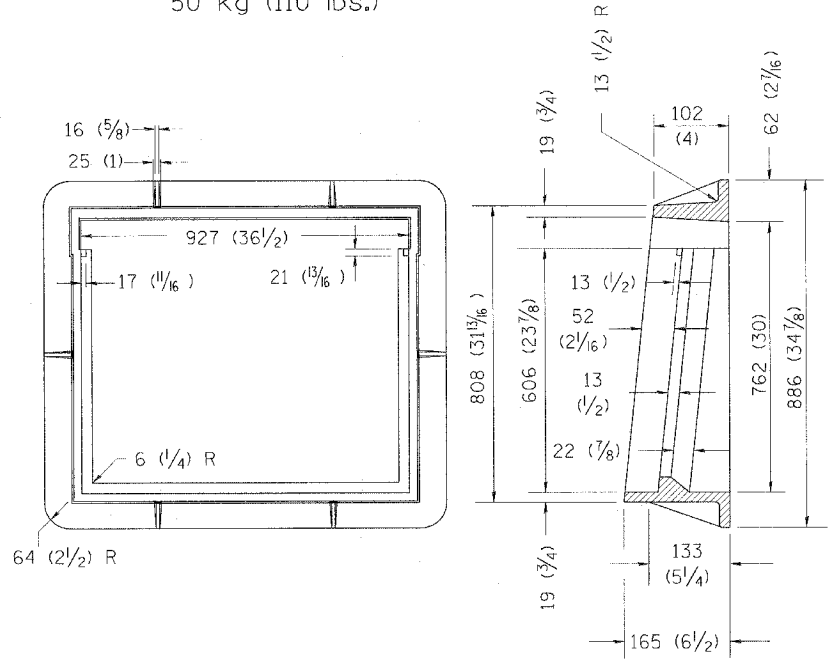
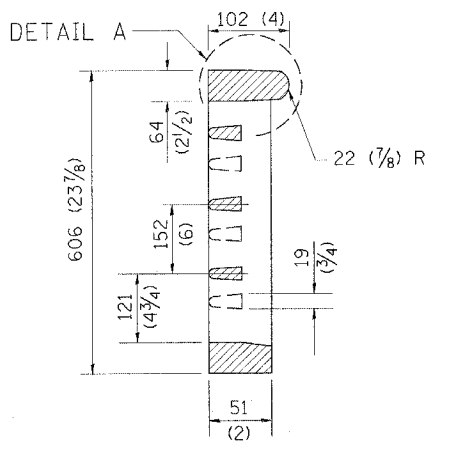
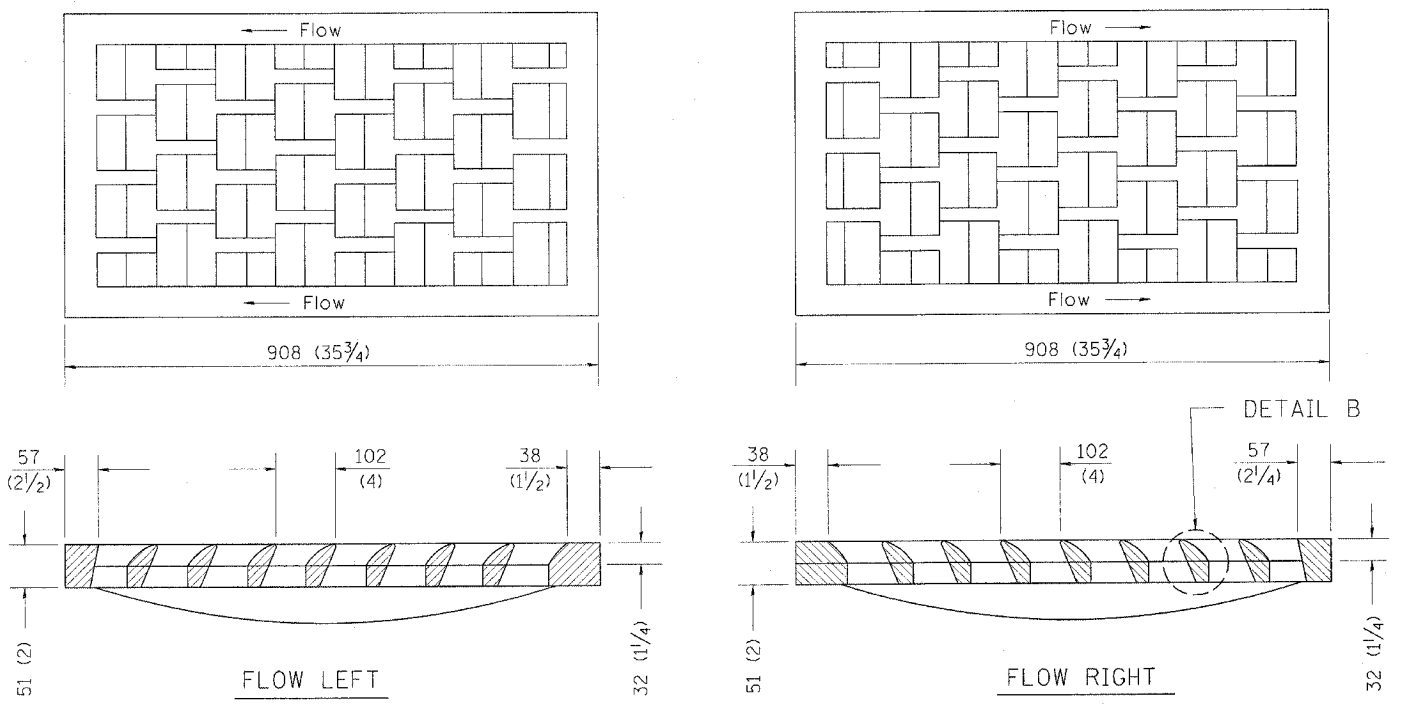
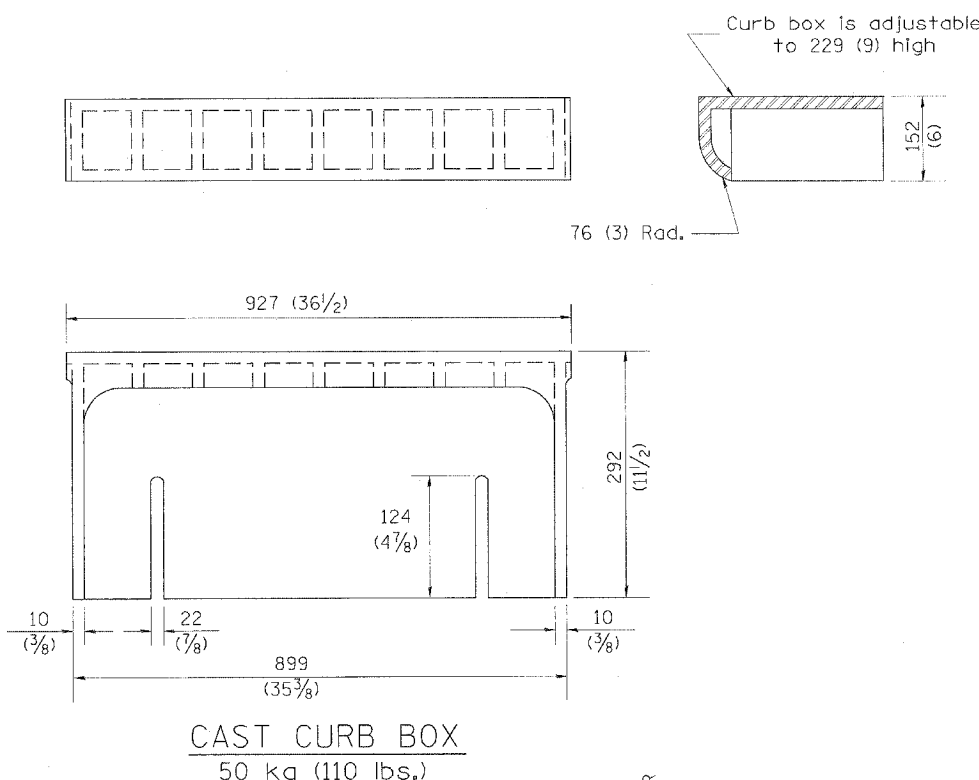
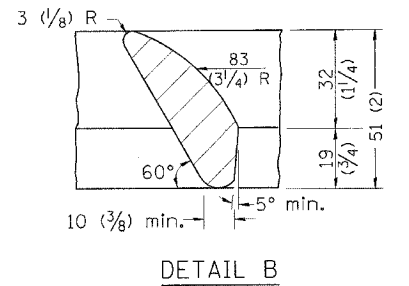
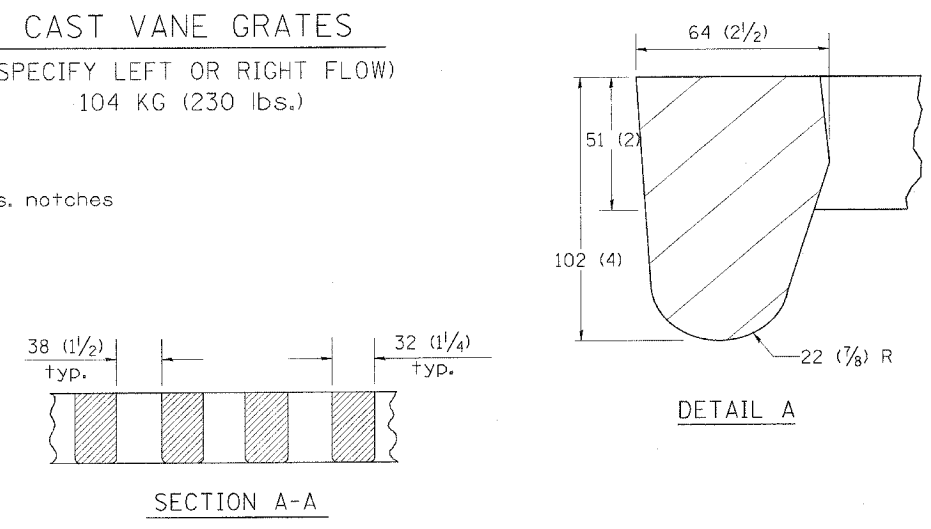


F.A.U. RTE.	SECTION	COUNTY	TOTAL SHEETS	SHEET NO.
6584	105R-1	PEORIA	115	61
STA.		TO STA.		
FED. ROAD DIST. NO. 4		ILLINOIS FED. AID PROJECT		

DESIGNER NOTES:  
 1. Include this standard with all Type G-1 and Type G-1, Special Drainage Structures.  
 2. Specify any types and flow directions in plans.  
 3. These castings are included in the cost of the drainage structures as per District Special Provision.  
 4. This drawing based upon "NEENAH" designs as follows:  
 Inlet Frame: R-3246-A, Curb Box: R-3290  
 Reversible Diagonal Grate: R-3246-A  
 Vane Grates: R-3246-AL(Flow left) R-3246-AL(Flow right)



NOTE: Flow right shown



- GENERAL NOTES**
- The frame and grate shown on this drawing are for use with all TYPE G-1 and TYPE G-1, SPECIAL DRAINAGE STRUCTURES. See plans for grate type and flow direction.
  - Flow direction: As viewed from street side.
  - Material: cast gray iron.

DATE	REVISIONS	BY
1-1-97	RENUM. B-10.01, NEW REVISION BOX	T.P.

All dimensions are in millimeters (inches) unless otherwise noted.

ILLINOIS DEPARTMENT OF TRANSPORTATION  
DISTRICT CADD STANDARD

**FRAME AND GRATES FOR TYPE G-1 AND TYPE G-1, SPECIAL DRAINAGE STRUCTURES**

CADD STANDARD 604001-D4  
SCALE NOT TO SCALE  
DATE \*\*DATE\*\*

DRAWN BY CADD  
CHECKED BY

June 2003