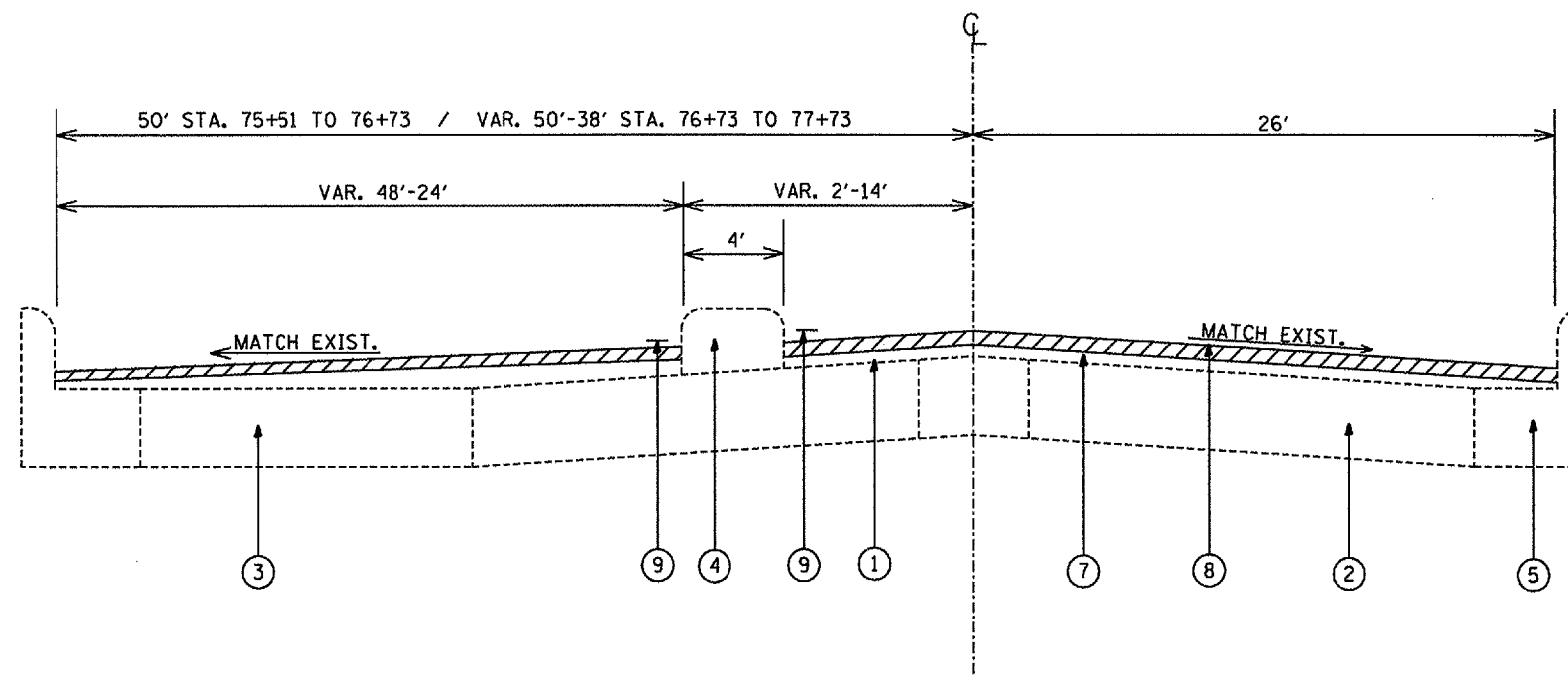
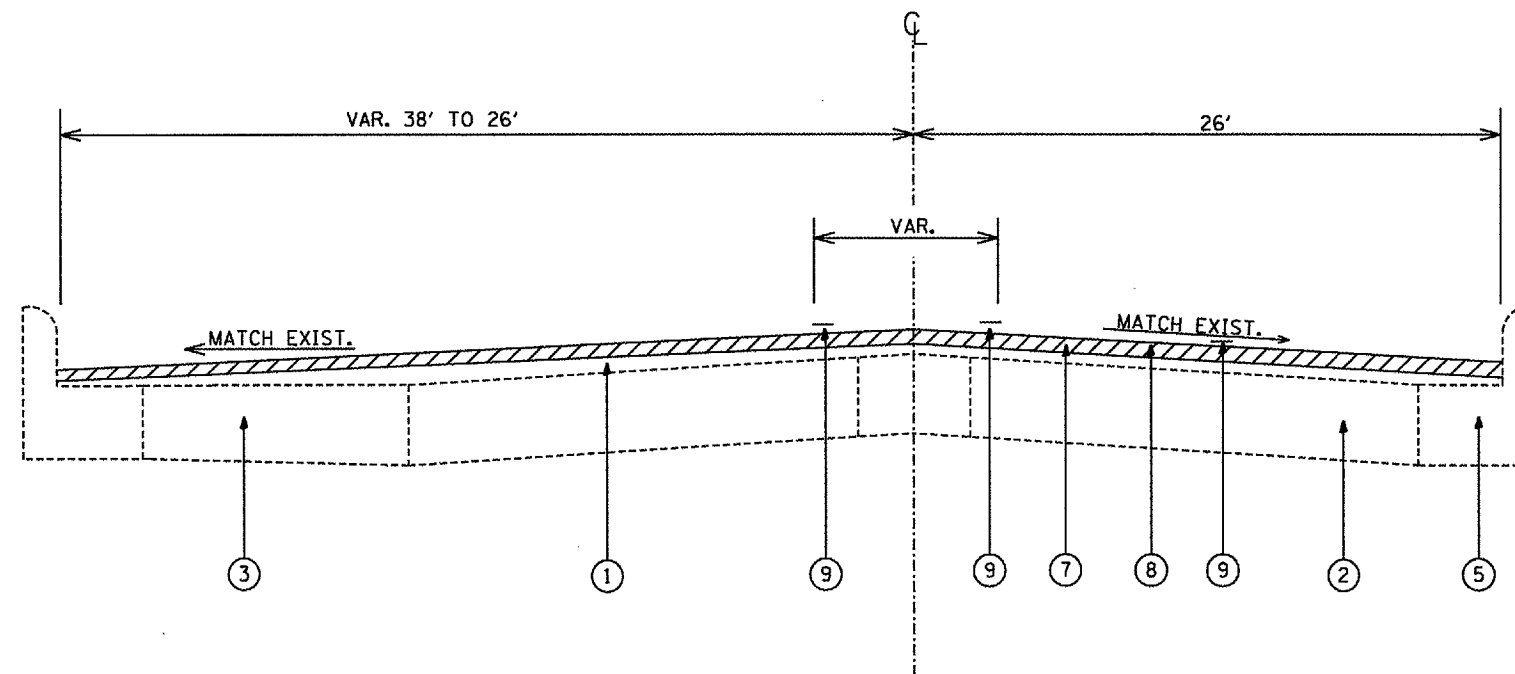


F. A. RTE.	SECTION	COUNTY	TOTAL SHEETS	SHEET NO
693	15 RS-2, 118 RS-4	TAZEWELL	28	8

CONTRACT NO. 68375



STA. 75+48(BK) TO STA. 77+73(BK)



STA. 77+73(BK) TO STA. 80+23(BK)

LEGEND

- ① EXISTING BITUMINOUS OVERLAY
- ② EXISTING P.C.C. PAVEMENT, 10"
- ③ EXISTING P.C.C. BASE COURSE 9"
- ④ EXISTING P.C.C. MEDIAN
- ⑤ EXISTING COMB. CONC. CURB & GUTTER
- ⑥ EXISTING STABILIZED SHOULDER
- ⑦ PROPOSED BIT. SURF. REMOVAL, 2"
- ⑧ PROPOSED POLY BIT. SURF. CSE. SUPER. N70 2"
- ⑨ PROPOSED PAVEMENT MARKING LINE

ILLINOIS DEPARTMENT OF TRANSPORTATION

PROPOSED  
TYPICAL SECTION

NOT TO SCALE