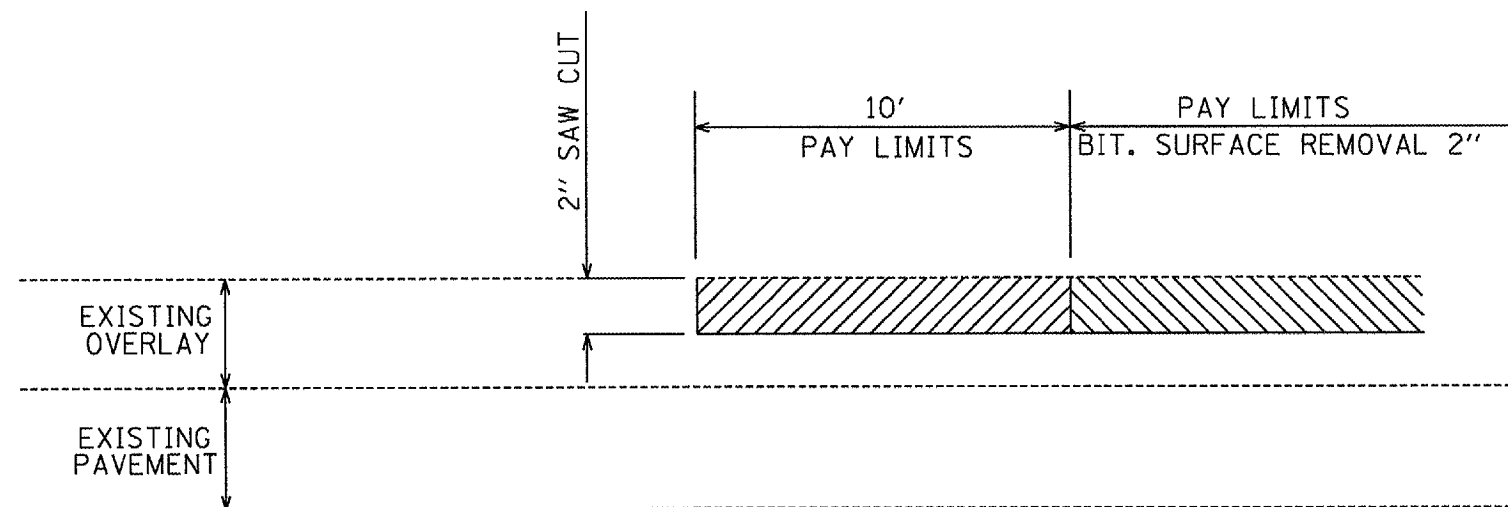


F. A. RTE.	SECTION	COUNTY	TOTAL SHEETS	SHEET NO
693	15 RS-2, 118 RS-4	TAZEWELL	28	28

CONTRACT NO. 68375

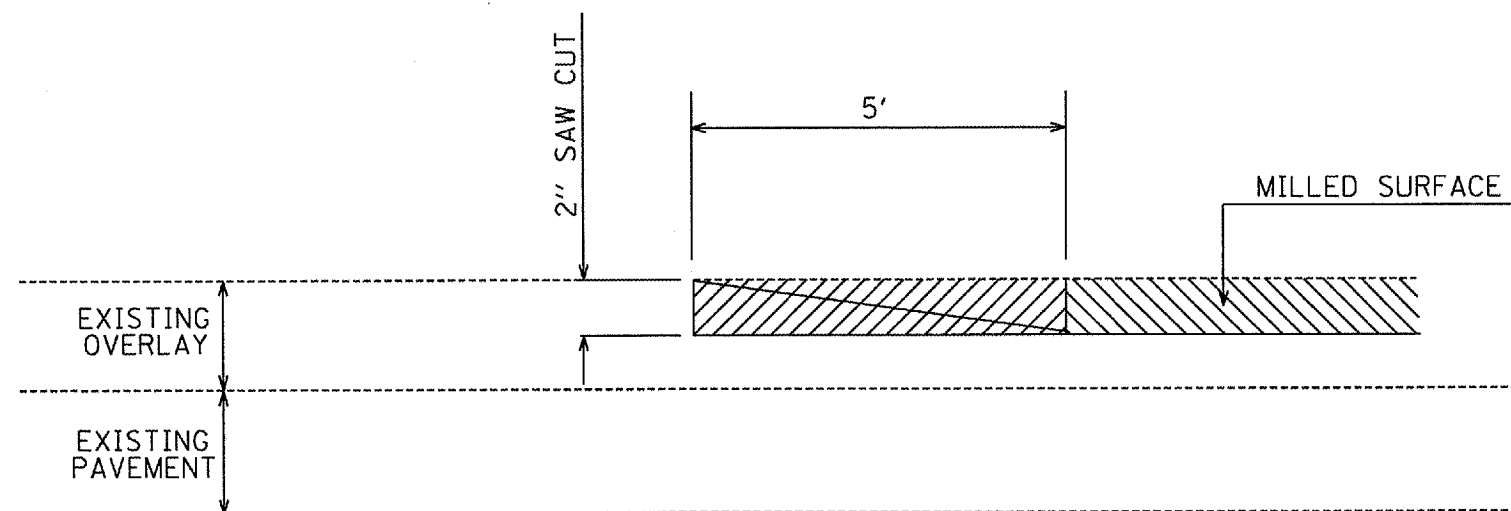
BUTT JOINTS WITH BITUMINOUS SURFACE REMOVAL



GENERAL NOTES

1. THE WORK SHALL BE DONE IN ACCORDANCE WITH ARTICLE 406.18 AND THE SPECIAL PROVISION FOR BUTT JOINTS.
2. THE PAVEMENT SURFACE TO BE REMOVED MAY BE EITHER BITUMINOUS, OR P.C. CONCRETE. THE WORK SHALL BE PERFORMED IN ACCORDANCE WITH ARTICLE 440.03 AND THE SPECIAL PROVISIONS FOR BUTT JOINTS.
3. THE SAW CUT JOINTS SHALL BE PRIMED JUST PRIOR TO THE PLACING OF BITUMINOUS MATERIALS. THE WORK WILL BE IN ACCORDANCE WITH THE APPLICABLE PORTIONS OF ARTICLE 406.06.

TEMPORARY RAMP DETAIL



ILLINOIS DEPARTMENT OF TRANSPORTATION

BUTT JOINT &
TEMPORARY RAMP
DETAIL

NOT TO SCALE