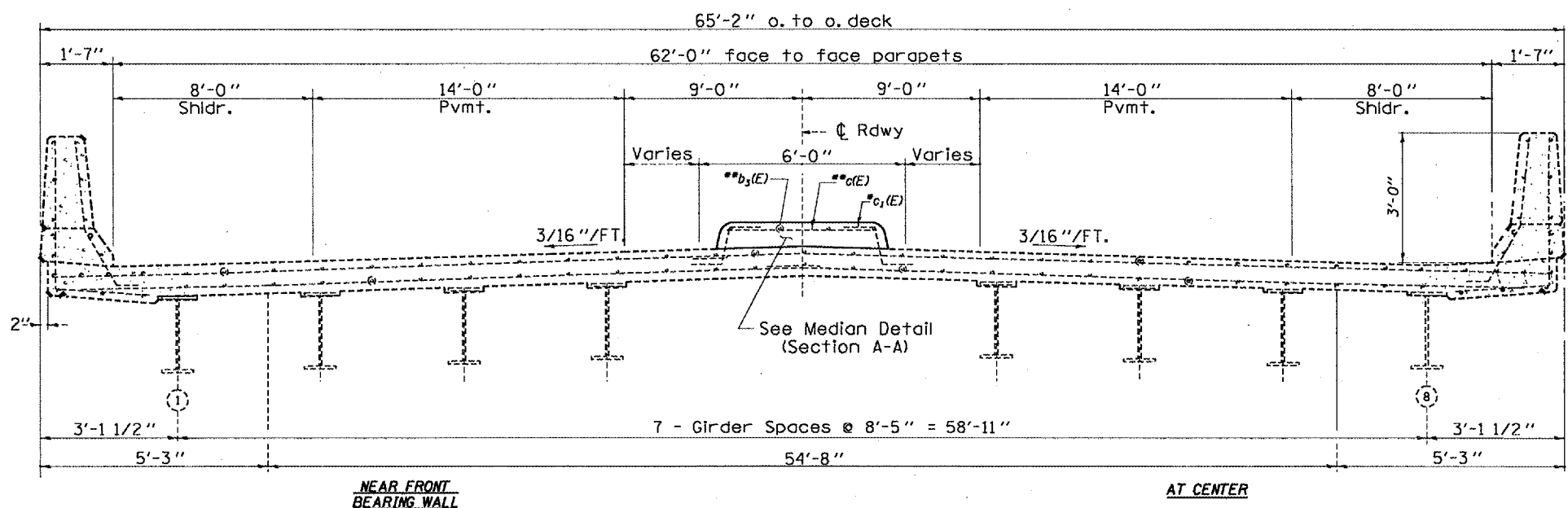


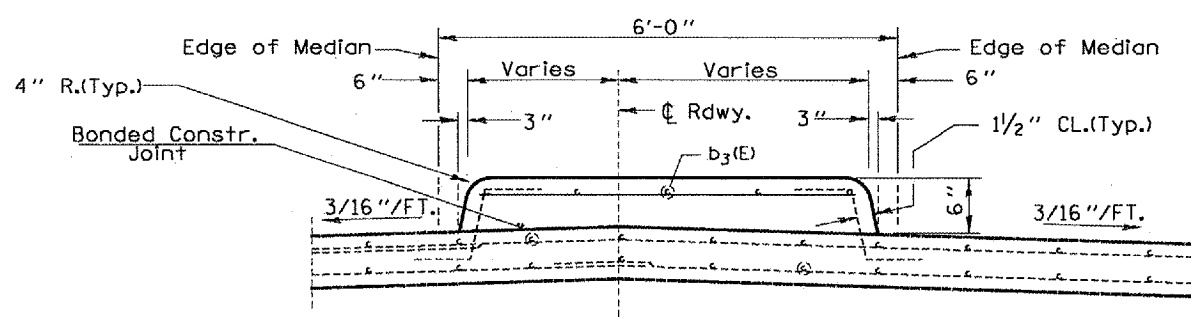
FAD	SECTION	COUNTY	TOTAL SHEETS	SHEET NO.
39		WOODFORD	12	8
STA. VARIOUS		TO STA. VARIOUS		
FED. ROAD DIST. NO. 4 ILLINOIS FED. AID PROJECT				
D4 CONC MEDIAN REPAIR 2007				



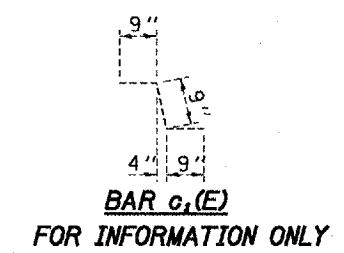
EXISTING CROSS SECTION
(Looking EAST)

*Existing Reinforcement to Remain, be Cleaned, and Straightened
**Existing Reinforcement to be Replaced

MIN. BAR LAP
#5 - 2'-2"



SECTION A-A



SUPERSTRUCTURE BILL OF MATERIAL

Bar	No.	Size	Length	Shape
b ₃ (E)	40	#5	30'-4"	
c(E)	228	#5	4'-3"	
Reinforcement Bars, Epoxy Coated			Pound	2277
Concrete Superstructure			CU.YD.	21

Notes
Reinforcement bars designated (E) shall be epoxy coated. See special provisions.
Existing median anchor reinforcement to be cleaned, straightened and incorporated into new construction.

PLT DATE = 02/15/05
PLT SCALE = AS SHOWN
USER NAME = MURPHY

REVISIONS	
NAME	DATE

ILLINOIS DEPARTMENT OF TRANSPORTATION

SUPERSTRUCTURE DETAILS

SCALE: VERT. HORIZ.
DATE 12-02-2005

DRAWN BY CEJ
CHECKED BY

S.N. 102-0047 Sta. 969+09.65
FAP. Rt. 412 CH 2 over I-39
Woodford County