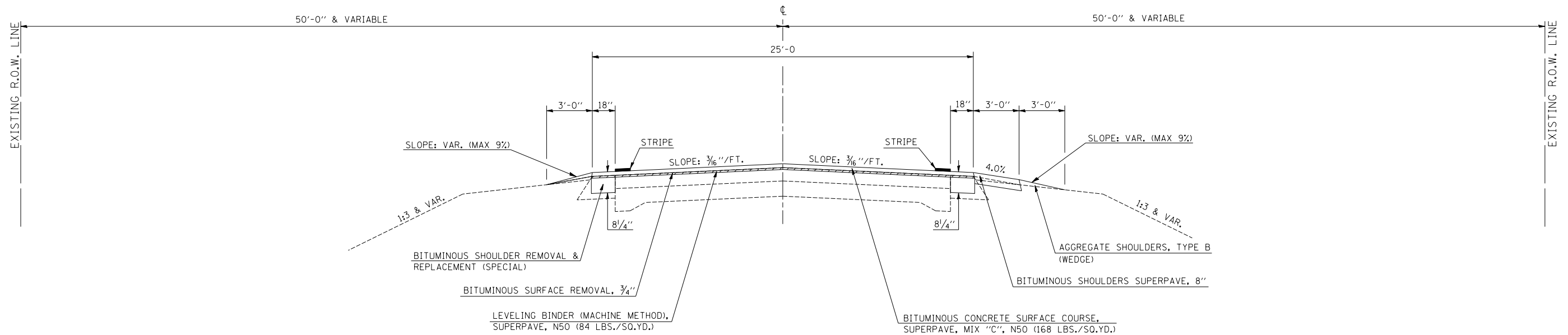


### 3 PROPOSED TYPICAL CROSS SECTION

F.A.P. RTE.	SECTION	COUNTY	TOTAL SHEETS	SHEET NO.
749		EDGAR	75	11

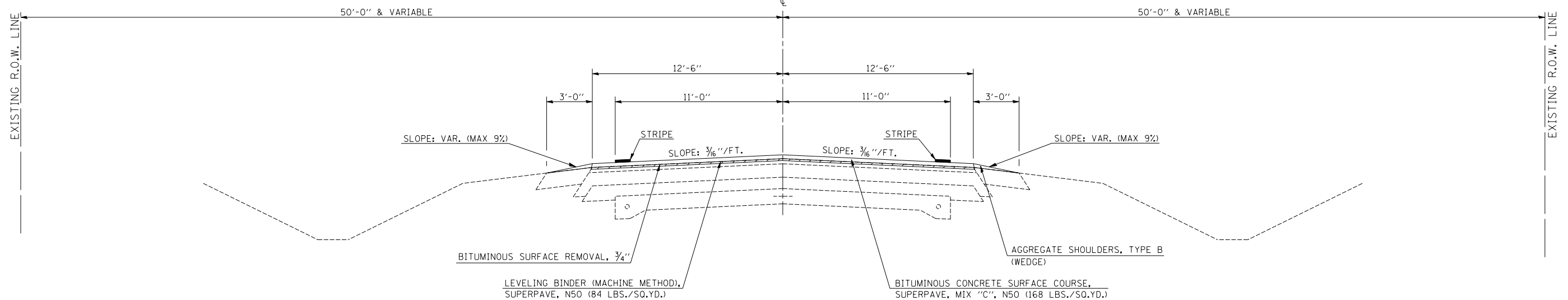
CONTRACT NO. 70134  
 14RS-2, 122RS-3 & (123NRS,14)BR

STATION TO STATION  
 ② 244+00.00 247+00.00 ②



### 4 PROPOSED TYPICAL CROSS SECTION

STATION TO STATION  
 ② 636+00.00 638+85.00 ⑤  
 ⑥ 655+00.00 657+00.00 ②



• NOTE:  
 SLOPE 3/16" / FT. STA. 636+00 TO STA. 638+85  
 S.E. RATE LT. = 2.75%, RT. = 1.25%; STA. 655+00 TO STA. 657+00