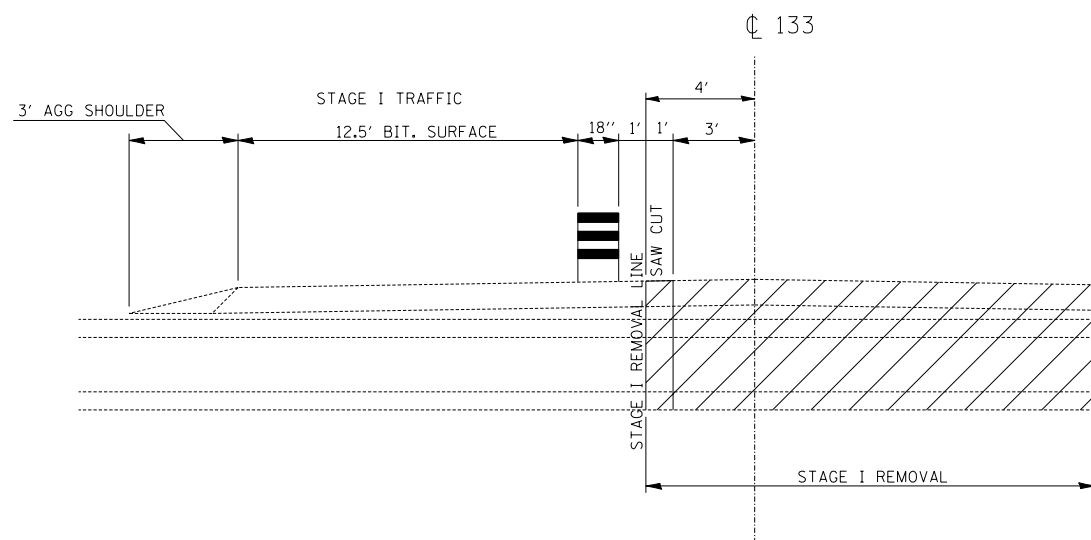


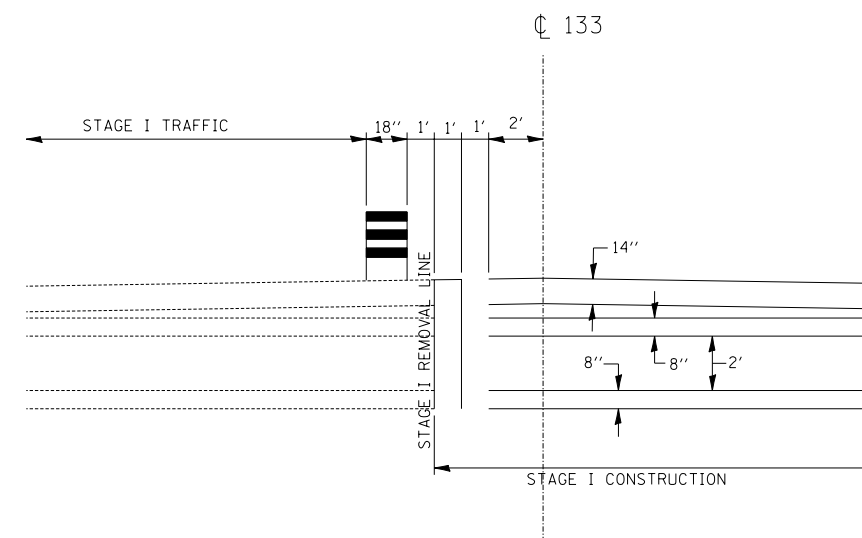
F.A.P. RTE.	SECTION	COUNTY	TOTAL SHEETS	SHEET NO.
749		EDGAR	75	30

CONTRACT NO. 70134
 • 14RS-2,122RS-3 & (123NRS,14)BR

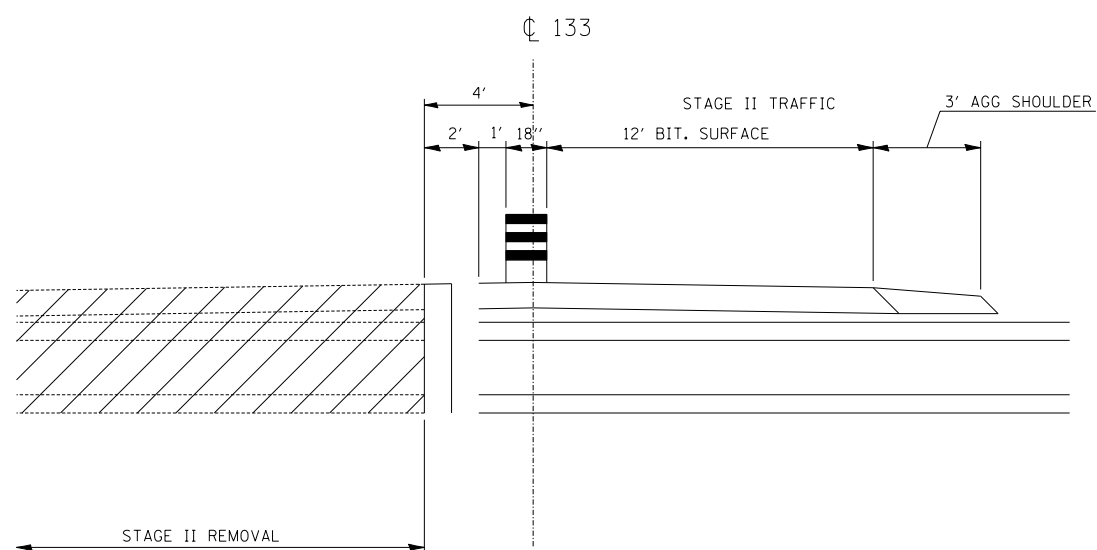
STAGE I REMOVAL DETAIL (STA. 8+76)



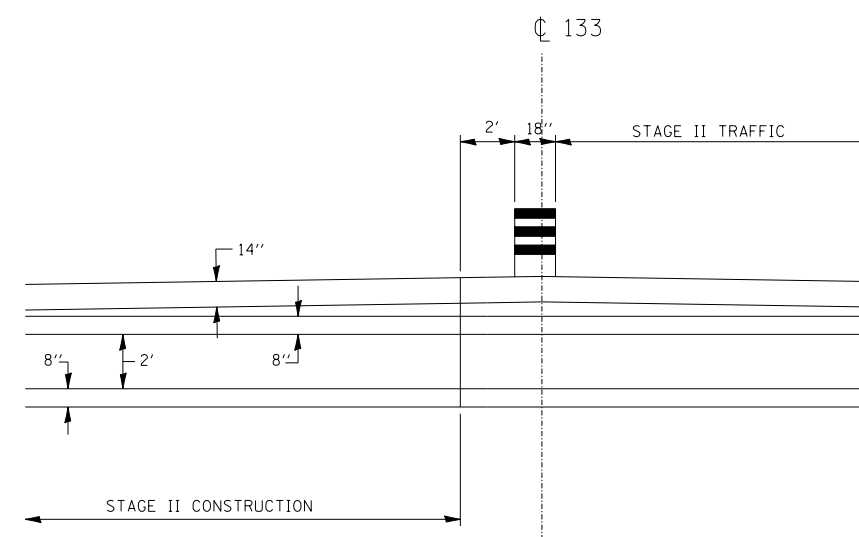
STAGE I CONSTRUCTION DETAIL (STA. 8+76)



STAGE II REMOVAL DETAIL (STA. 8+76)



STAGE II CONSTRUCTION DETAIL (STA. 8+76)



NOTES

- 1) USE TRAFFIC CONTROL STANDARD 701201.
- 2) ESTIMATED TIME IS 24 HOURS (2 - 12 HOUR DAYS).