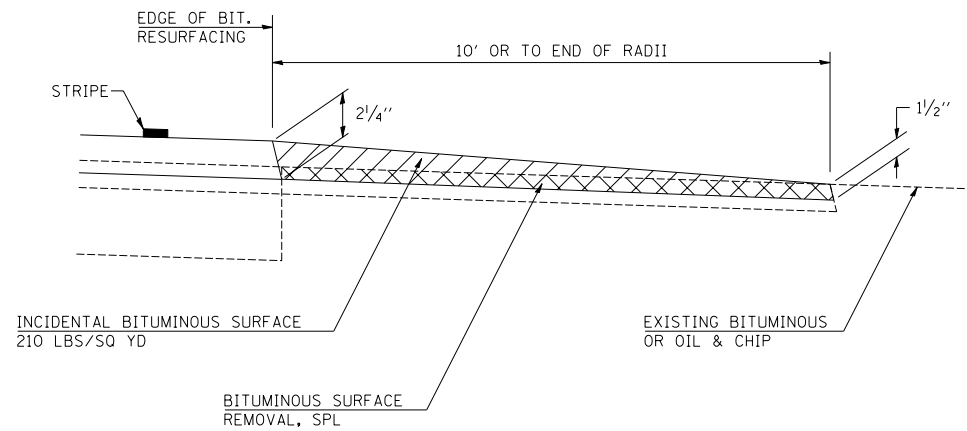


F.A.P. RTE.	SECTION	COUNTY	TOTAL SHEETS	SHEET NO.
749		EDGAR	75	43

CONTRACT NO. 70134  
 • 14RS-2,122RS-3 & (123NRS,14)BR

### PRIVATE ENTRANCE, COMMERCIAL ENTRANCE, OR SIDEROAD

(BITUMINOUS OR OIL & CHIP)



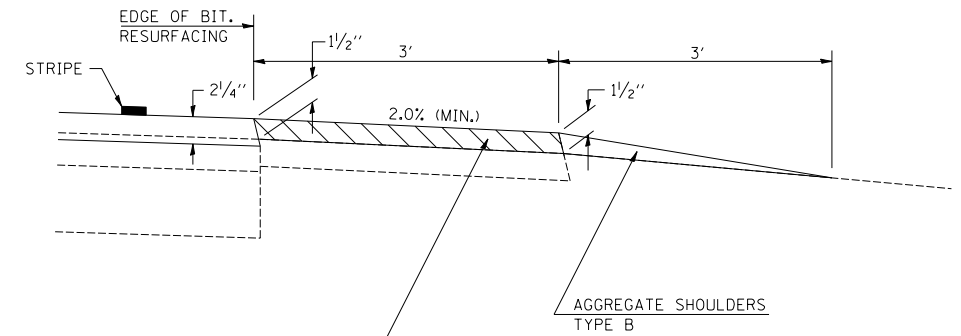
NOTES: THE INCIDENTAL BITUMINOUS SURFACING IS INTENDED TO RESURFACE THE EXISTING ENTRANCES IN THEIR ENTIRETY. THE EXISTING SIDEROADS SHOULD BE RESURFACED TO MAINTAIN THEIR CURRENT RADII.

	NAME	DATE	REVISIONS	
DESIGNED	D.A.S.	7/98	NAME	DATE
CHECKED	D.L.P.	7/98	K.A.G.	06/03
CADD NO.	C-1.27			

ALL DIMENSIONS ARE IN INCHES (MILLIMETERS) UNLESS OTHERWISE SHOWN.

### FIELD ENTRANCE

(BITUMINOUS OR OIL & CHIP)



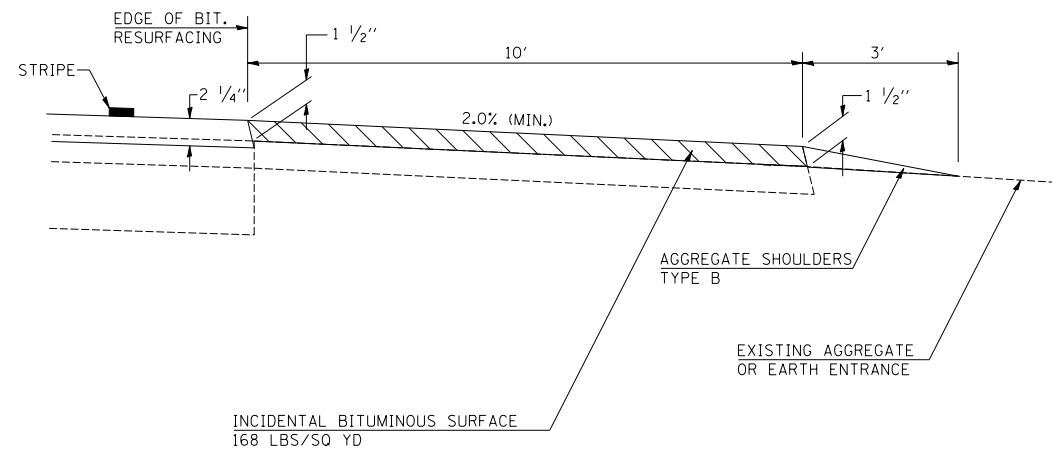
NOTES: THE INCIDENTAL BITUMINOUS SURFACING IS INTENDED TO RESURFACE THE EXISTING ENTRANCES IN THEIR ENTIRETY

	NAME	DATE	REVISIONS	
DESIGNED	D.A.S.	07/98	NAME	DATE
CHECKED	D.L.P.	07/98	K.A.G.	06/03
CADD NO.	C-1.29			

ALL DIMENSIONS ARE IN INCHES (MILLIMETERS) UNLESS OTHERWISE SHOWN.

### PRIVATE OR COMMERCIAL ENTRANCE

(AGGREGATE OR EARTH)



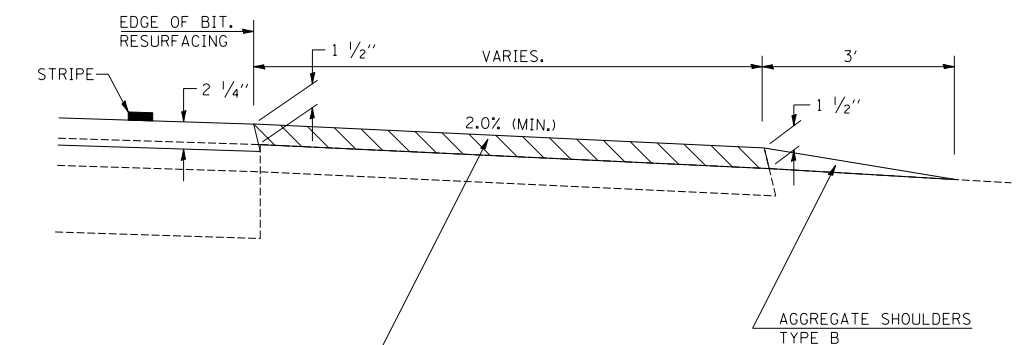
NOTES: THE INCIDENTAL BITUMINOUS SURFACING IS INTENDED TO RESURFACE THE EXISTING ENTRANCES IN THEIR ENTIRETY.

	NAME	DATE	REVISIONS	
DESIGNED	D.A.S.	7/98	NAME	DATE
CHECKED	D.L.P.	7/98	K.A.G.	06/03
CADD NO.	C-1.28			

ALL DIMENSIONS ARE IN INCHES (MILLIMETERS) UNLESS OTHERWISE SHOWN.

### MAILBOX TURNOUTS

(BITUMINOUS OR OIL & CHIP)



NOTES: THE INCIDENTAL BITUMINOUS SURFACING IS INTENDED TO RESURFACE THE EXISTING MAILBOX TURNOUTS IN THEIR ENTIRETY.

	NAME	DATE	REVISIONS	
DESIGNED	D.A.S.	7/98	NAME	DATE
CHECKED	D.L.P.	7/98	K.A.G.	06/03
CADD NO.	C-1.30			

ALL DIMENSIONS ARE IN INCHES (MILLIMETERS) UNLESS OTHERWISE SHOWN.