

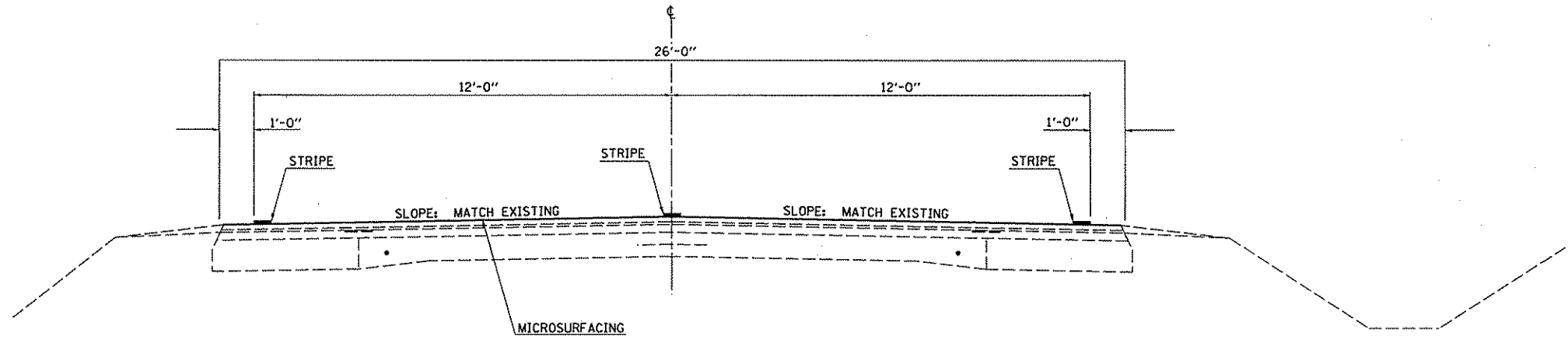
F.A.P. RTE.	SECTION	COUNTY	TOTAL SHEETS	SHEET NO.
*	**	PIATT	17	12
STA.		TO STA.		
FED. ROAD DIST. NO.		ILLINOIS FED. AID PROJECT		
		• 760 & 758		
		•• PAVEMENT PRESERVATION 2006		

⑦ PROPOSED TYPICAL CROSS SECTION

LOCATION #2

- STATION 52+00.00 TO STATION 77+40.72 ⑧
- ⑧ STATION 89+56.75 TO STATION 97+70.64 ⑧
- ⑧ STATION 111+00.18 TO STATION 263+11.00

OMISSION FROM RESURFACING:
RAILROAD CROSSING
STATION 71+41.66 TO STATION 79+00.00

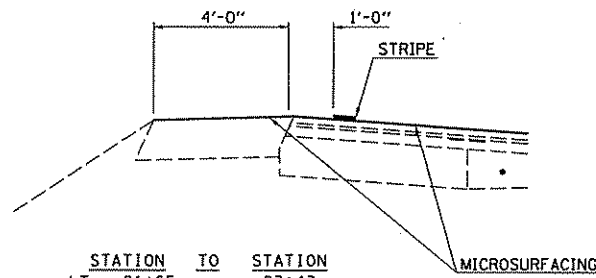


⑧ PROPOSED TYPICAL CROSS SECTION

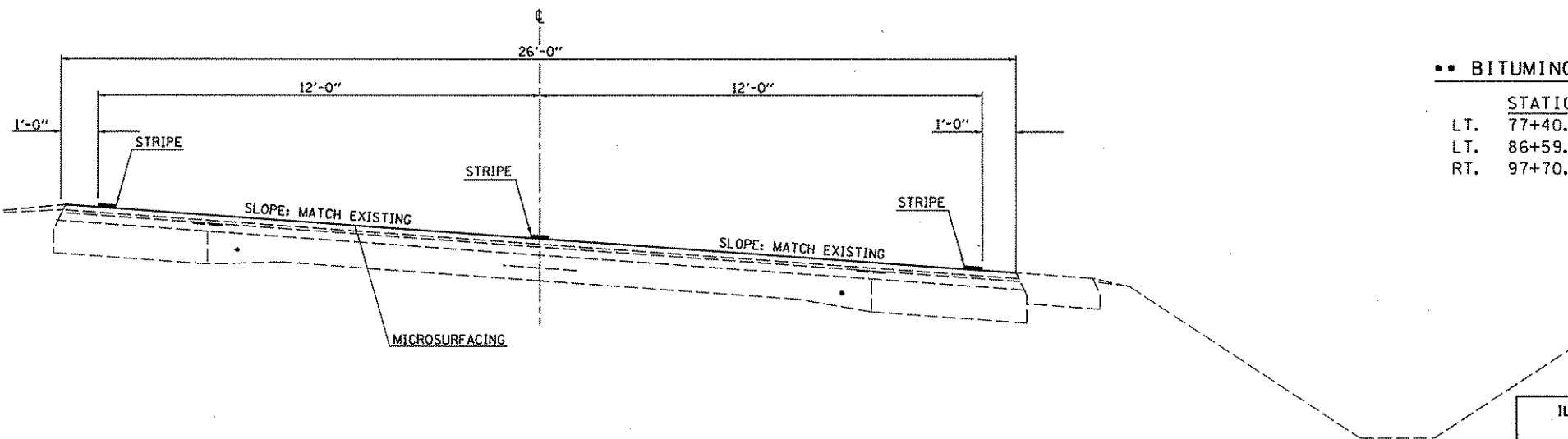
LOCATION #2

- ⑦ STATION 77+40.72 TO STATION 89+56.75 ⑦
- ⑦ STATION 97+70.64 TO STATION 111+00.18 ⑦

OMISSION FROM RESURFACING:
STRUCTURE NUMBER: 074-2003
STATION 83+08.94 TO STATION 84+15.06



STATION	TO	STATION
LT. 81+65		83+43
LT. 84+91		86+59
RT. 80+44		83+43
RT. 84+91		86+29



•• BITUMINOUS SHOULDERS, 6"

	STATION	TO	STATION
LT.	77+40.72		81+65.00
LT.	86+59.00		89+56.75
RT.	97+70.64		111+00.18

PLOT DATE = 3/1/2006
FILE NAME = c:\projects\4505306\lv81\plan.dgn
PLOT SCALE = 43.2354' / IN.
USER NAME = pler-boonbr

ILLINOIS DEPARTMENT OF TRANSPORTATION

TYPICAL SECTIONS

SCALE: NOT TO SCALE
DATE: 02/28/06

DRAWN BY: B.B.P.
CHECKED BY: B.J.H.