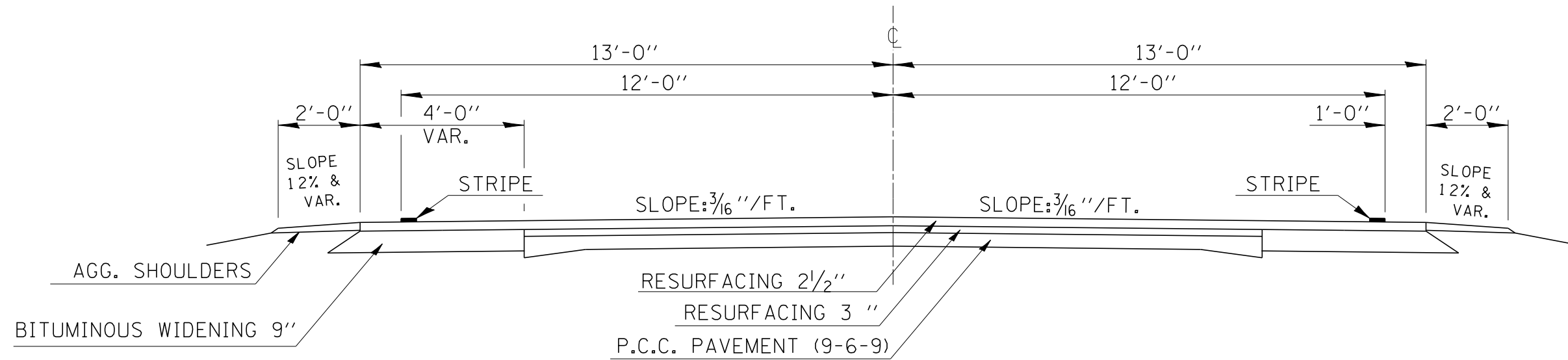


F.A.S. RTE.	SECTION	COUNTY	TOTAL SHEETS	SHEET NO.
1517	10B	DEWITT	26	6
STA.		TO STA.		
FED. ROAD DIST. NO.	ILLINOIS	FED. AID PROJECT		

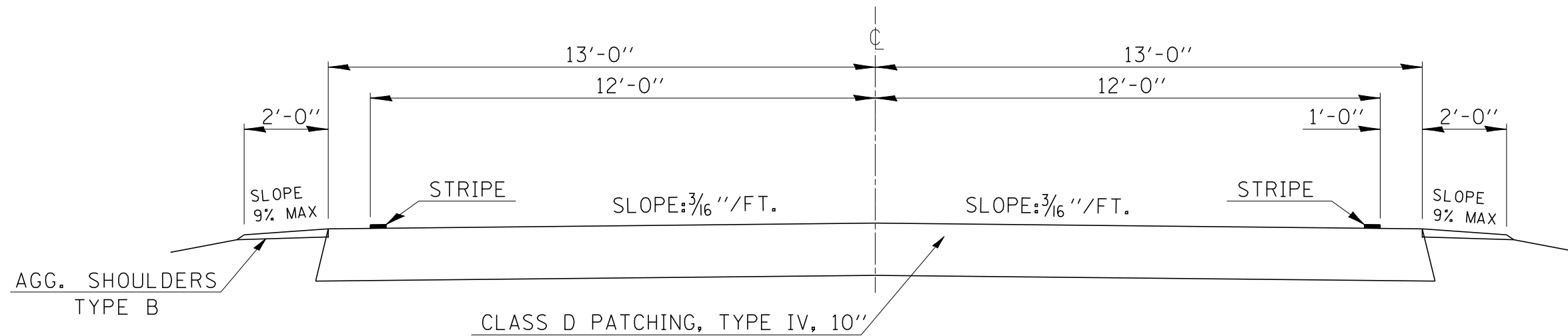
EXISTING ROADWAY CROSS SECTION

STA. 182+25.00 to STA. 182+65.00



PROPOSED ROADWAY CROSS SECTION

STA. 182+25.00 to STA. 182+65.00



PLOT DATE = 3/30/2006
 FILE NAME = c:\projects\4596406 (v8)\design\70549.dgn
 PLOT SCALE = 4:2:35/8" / IN.
 USER NAME = sheehygm

REVISIONS	
NAME	DATE

ILLINOIS DEPARTMENT OF TRANSPORTATION

SCALE: VERT. / HORIZ.
 DATE

DRAWN BY
 CHECKED BY