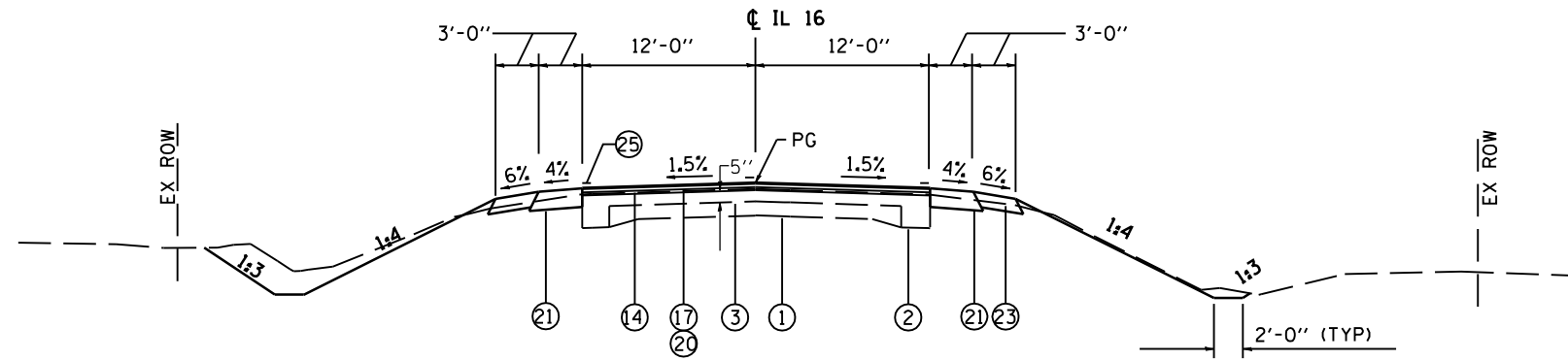
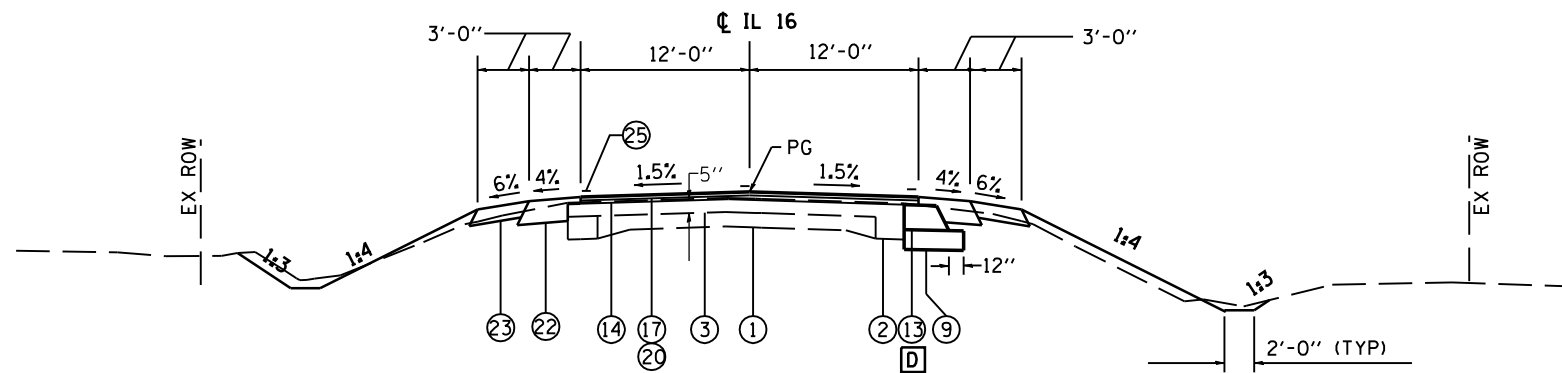


F.A.P. RTE.	SECTION	COUNTY	TOTAL SHEETS	SHEET NO.
*	**	MACOUPIN	231	8
STA.		TO STA.		
FED. ROAD DIST. NO.	ILLINOIS	FED. AID PROJECT		
* FAP 325 & FAP 604				
** 14R; 115RS-2; 116RS-4; 10IRS-2				



LOCATION A - #1
IL RTE 16
STA 1127+21.20 TO STA 1128+51.13



LOCATION A - #2
IL RTE 16
STA 1128+51.13 TO STA 1129+96.62

- LEGEND**
- ① EX CONCRETE PAVEMENT 9-6-9
 - ② EX BITUMINOUS WIDENING 9"
 - ③ EX BITUMINOUS OVERLAY
 - ④ EX BITUMINOUS SHOULDERS
 - ⑤ EX AGGREGATE BASE
 - ⑥ EX AGGREGATE SHOULDERS
 - ⑦ EX SMOOTH BAR
 - ⑧ PR PAVEMENT REMOVAL
 - ⑨ PR SUB-BASE GRANULAR MATERIAL, TY A 8"
 - ⑩ PR SUB-BASE GRANULAR MATERIAL, TY B VAR DEPTH
 - ⑪ PR BITUMINOUS BASE COURSE SUPERPAVE 8"
 - ⑫ PR BITUMINOUS BASE COURSE SUPERPAVE 11"
OR BIT CONC BASE COURSE WIDENING SP 11"
 - ⑬ PR BITUMINOUS BASE COURSE SUPERPAVE 9"
OR BIT CONC BASE COURSE WIDENING SP 9"
 - ⑭ PR BITUMINOUS SURFACE REMOVAL (VAR DEPTH)
 - ⑮ PR BITUMINOUS SURFACE REMOVAL 2 1/4"
 - ⑯ PR LEVELING BINDER (MM), SP N50 3/4"
 - ⑰ PR LEVELING BINDER (MM), SP N50 1"
 - ⑱ PR BIT CONC BIND CSE, SP, IL-19.0, N50 VAR DEPTH
 - ⑲ PR BIT CONC SURF CSE, SP, MIX "D", N50 1 1/2"
 - ⑳ PR BIT CONC SURF CSE, SP, MIX "D", N50 2"
 - ㉑ PR BITUMINOUS SHOULDERS SUPERPAVE 8"
 - ㉒ PR BITUMINOUS SHOULDERS SUPERPAVE
 - ㉓ PR AGGREGATE SHOULDERS, TYPE B 6"
 - ㉔ PR AGGREGATE SHOULDERS, TYPE B (WEDGE)
 - ㉕ PR PAVEMENT MARKING
 - ㉖ PR SODDING

D PERMANENT WIDENING WIDTH

STATION	WIDTH (FT)
RT 1128+51.13	1.00
RT 1129+96.62	1.00

STATIONS AND OFFSETS REFER TO PROP CL IL 16

PLOT DATE = #DATES
FILE NAME = #FILEL#
PLOT SCALE = #SCALE#
USER NAME = #USER#

REVISIONS	
NAME	DATE

ILLINOIS DEPARTMENT OF TRANSPORTATION
TYPICAL SECTIONS
FAP 325 (IL 16) & FAP 604 (IL 159)
SECTION 14R, 115RS-2, 116RS-4, 10IRS-2
MACOUPIN COUNTY
SCALE: VERT. _____
HORIZ. _____
DATE _____ DRAWN BY _____
CHECKED BY _____