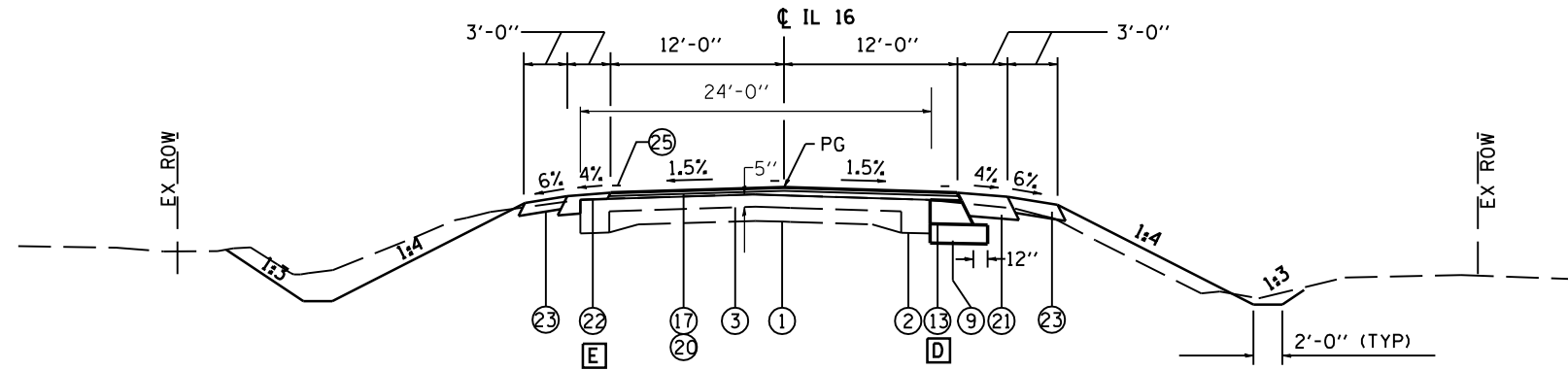
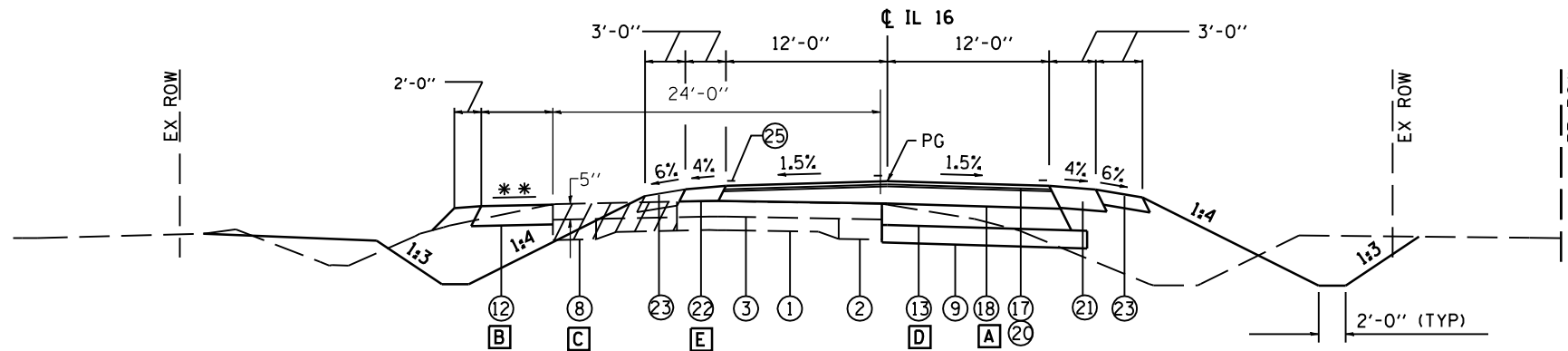


F.A.P. RTE.	SECTION	COUNTY	TOTAL SHEETS	SHEET NO.
*	**	MACOUPIN	231	9
STA.		TO STA.		
FED. ROAD DIST. NO.	ILLINOIS	FED. AID PROJECT		

\* FAP 325 & FAP 604



**LOCATION A - #3**  
IL RTE 16  
STA 1129+96.62 TO STA 1130+91.23



\*\* MATCH EXISTING PAVEMENT SLOPE

**LOCATION A - #4**  
IL RTE 16  
STA 1130+91.23 TO STA 1135+50.50

**LEGEND**

- ① EX CONCRETE PAVEMENT 9-6-9
- ② EX BITUMINOUS WIDENING 9"
- ③ EX BITUMINOUS OVERLAY
- ④ EX BITUMINOUS SHOULDERS
- ⑤ EX AGGREGATE BASE
- ⑥ EX AGGREGATE SHOULDERS
- ⑦ EX SMOOTH BAR
- ⑧ PR PAVEMENT REMOVAL
- ⑨ PR SUB-BASE GRANULAR MATERIAL, TY A 8"
- ⑩ PR SUB-BASE GRANULAR MATERIAL, TY B VAR DEPTH
- ⑪ PR BITUMINOUS BASE COURSE SUPERPAVE 8"
- ⑫ PR BITUMINOUS BASE COURSE SUPERPAVE 11"  
OR BIT CONC BASE COURSE WIDENING SP 11"
- ⑬ PR BITUMINOUS BASE COURSE SUPERPAVE 9"  
OR BIT CONC BASE COURSE WIDENING SP 9"
- ⑭ PR BITUMINOUS SURFACE REMOVAL (VAR DEPTH)
- ⑮ PR BITUMINOUS SURFACE REMOVAL 2 1/4"
- ⑯ PR LEVELING BINDER (MM), SP N50 3/4"
- ⑰ PR LEVELING BINDER (MM), SP N50 1"
- ⑱ PR BIT CONC BIND CSE, SP, IL-19.0, N50 VAR DEPTH
- ⑲ PR BIT CONC SURF CSE, SP, MIX "D", N50 1 1/2"
- ⑳ PR BIT CONC SURF CSE, SP, MIX "D", N50 2"
- ㉑ PR BITUMINOUS SHOULDERS SUPERPAVE 8"
- ㉒ PR BITUMINOUS SHOULDERS SUPERPAVE
- ㉓ PR AGGREGATE SHOULDERS, TYPE B 6"
- ㉔ PR AGGREGATE SHOULDERS, TYPE B (WEDGE)
- ㉕ PR PAVEMENT MARKING
- ㉖ PR SODDING

**[A] BINDER COURSE THICKNESS**

STATION	LT EOP	CL	RT EOP
1131+00	0.00	0.08	0.10
1131+50	0.00	0.15	0.16
1132+00	0.00	0.14	0.15
1132+50	0.00	0.20	0.21
1133+00	0.00	0.28	0.28
1133+50	0.00	0.26	0.27
1134+00	0.00	0.25	0.24
1134+50	0.00	0.29	0.26
1135+00	0.15	0.45	0.45
1135+50	0.31	0.86	0.87

**[B] TEMPORARY WIDENING WIDTH**

STATION	WIDTH (FT)
LT STA 1133+10	1.00'
LT STA 1133+50	1.00'
LT STA 1133+74	1.00'
LT STA 1134+00	2.12'
LT STA 1134+50	5.33'
LT STA 1135+00	9.20'
LT STA 1135+50	11.66'

**[C] PAVEMENT REMOVAL**

LOCATION	AREA
1130+91.37 TO 1136+05.42	392.02
1133+10.42 TO 1137+78.70	316.61

**[D] PERMANENT WIDENING WIDTH**

STATION	WIDTH (FT)
RT STA 1129.96.62	1.00'
RT STA 1130+00	1.25'
RT STA 1130+50	2.16'
RT STA 1131+00	3.31'
RT STA 1131+50	4.67'
RT STA 1132+00	6.00'
RT STA 1132+50	7.43'
RT STA 1133+00	8.87'
RT STA 1133+50	10.22'
RT STA 1134+00	11.56'
RT STA 1134+50	12.08'
RT STA 1135+00	14.37'
RT STA 1135+50	16.03'

REVISIONS		ILLINOIS DEPARTMENT OF TRANSPORTATION
NAME	DATE	
		<p><b>TYPICAL SECTIONS</b></p> <p>FAP 325 (IL 16) &amp; FAP 604 (IL 159)</p> <p>SECTION 14R, 115RS-2, 116RS-4, 101RS-2</p> <p>MACOUPIN COUNTY</p> <p>SCALE: VERT. _____</p> <p>HORIZ. _____</p> <p>DATE _____ DRAWN BY _____</p> <p>CHECKED BY _____</p>

PLOT DATE = #DATES  
FILE NAME = #FILEL#  
PLOT SCALE = #SCALE#  
USER NAME = #USER#