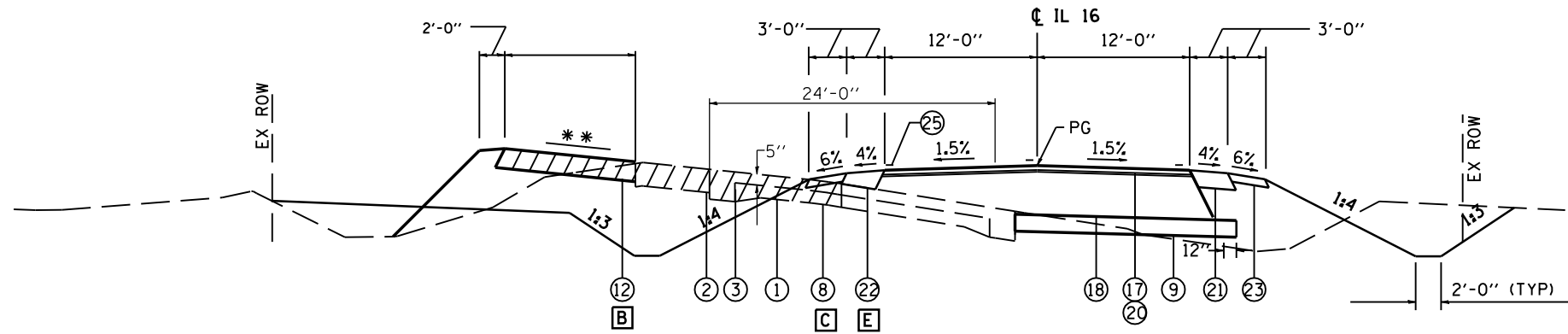
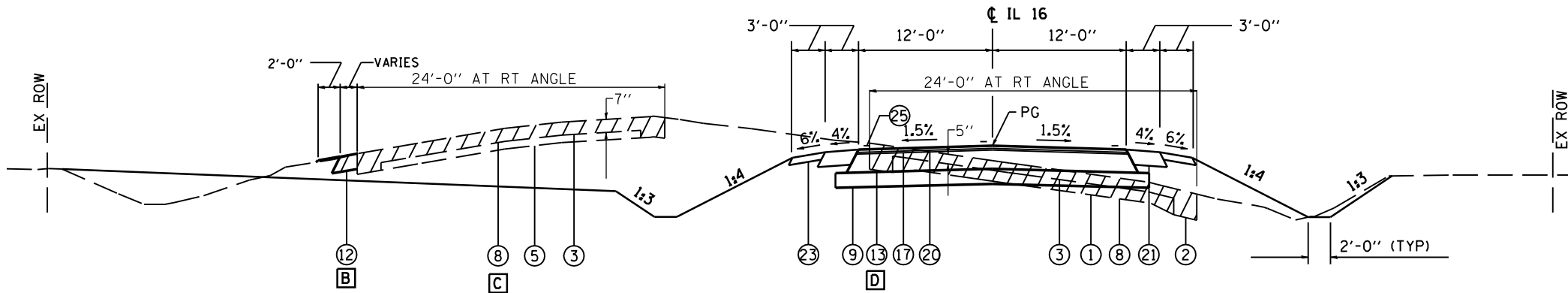


F.A.P. RTE.	SECTION	COUNTY	TOTAL SHEETS	SHEET NO.
*	**	MACOUPIN	231	10
STA.		TO STA.		
FED. ROAD DIST. NO.	ILLINOIS	FED. AID PROJECT		
* FAP 325 & FAP 604				
** 14R; 115RS-2; 116RS-4; 10IRS-2				



\*\* MATCH EXISTING PAVEMENT SLOPE

**LOCATION A - #5**  
IL RTE 16  
STA 1135+50.50 TO STA 1137+00.00



**LOCATION A - #6**  
IL RTE 16  
STA 1137+00.00 TO STA 1138+17.97

[B] TEMPORARY WIDENING WIDTH	
STATION	WIDTH (FT)
LT STA 1135+50	11.66'
LT STA 1136+00	13.24'
LT STA 1136+50	10.82'
LT STA 1137+00	3.88'
LT STA 1137+50	1.00'
LT STA 1137+69	1.00'

[C] PAVEMENT REMOVAL	
LOCATION	AREA
1137+00.00 TO 1143+13.70	1501.21

**LEGEND**

- ① EX CONCRETE PAVEMENT 9-6-9
- ② EX BITUMINOUS WIDENING 9"
- ③ EX BITUMINOUS OVERLAY
- ④ EX BITUMINOUS SHOULDERS
- ⑤ EX AGGREGATE BASE
- ⑥ EX AGGREGATE SHOULDERS
- ⑦ EX SMOOTH BAR
- ⑧ PR PAVEMENT REMOVAL
- ⑨ PR SUB-BASE GRANULAR MATERIAL, TY A 8"
- ⑩ PR SUB-BASE GRANULAR MATERIAL, TY B VAR DEPTH
- ⑪ PR BITUMINOUS BASE COURSE SUPERPAVE 8"
- ⑫ PR BITUMINOUS BASE COURSE SUPERPAVE 11"  
OR BIT CONC BASE COURSE WIDENING SP 11"
- ⑬ PR BITUMINOUS BASE COURSE SUPERPAVE 9"  
OR BIT CONC BASE COURSE WIDENING SP 9"
- ⑭ PR BITUMINOUS SURFACE REMOVAL (VAR DEPTH)
- ⑮ PR BITUMINOUS SURFACE REMOVAL 2 1/4"
- ⑯ PR LEVELING BINDER (MM), SP N50 3/4"
- ⑰ PR LEVELING BINDER (MM), SP N50 1"
- ⑱ PR BIT CONC BIND CSE, SP, IL-19.0, N50 VAR DEPTH
- ⑲ PR BIT CONC SURF CSE, SP, MIX "D", N50 1 1/2"
- ⑳ PR BIT CONC SURF CSE, SP, MIX "D", N50 2"
- ㉑ PR BITUMINOUS SHOULDERS SUPERPAVE 8"
- ㉒ PR BITUMINOUS SHOULDERS SUPERPAVE
- ㉓ PR AGGREGATE SHOULDERS, TYPE B 6"
- ㉔ PR AGGREGATE SHOULDERS, TYPE B (WEDGE)
- ㉕ PR PAVEMENT MARKING
- ㉖ PR SODDING

PLOT DATE = #DATES  
FILE NAME = #FILEL#  
PLOT SCALE = #SCALE#  
USER NAME = #USER#

REVISIONS	
NAME	DATE

ILLINOIS DEPARTMENT OF TRANSPORTATION  
**TYPICAL SECTIONS**  
FAP 604 (IL 159)  
SECTION 14R, 115RS-2, 116RS-4, 10IRS-2  
MACOUPIN COUNTY  
SCALE: VERT. \_\_\_\_\_  
HORIZ. \_\_\_\_\_  
DATE \_\_\_\_\_ DRAWN BY \_\_\_\_\_  
CHECKED BY \_\_\_\_\_