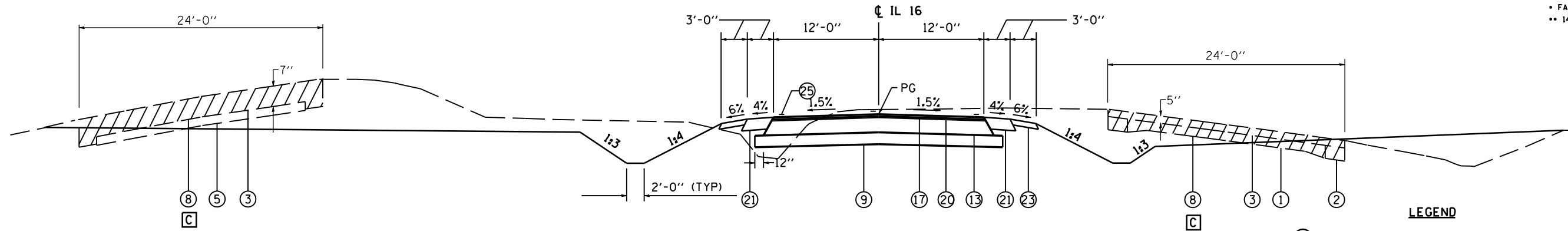
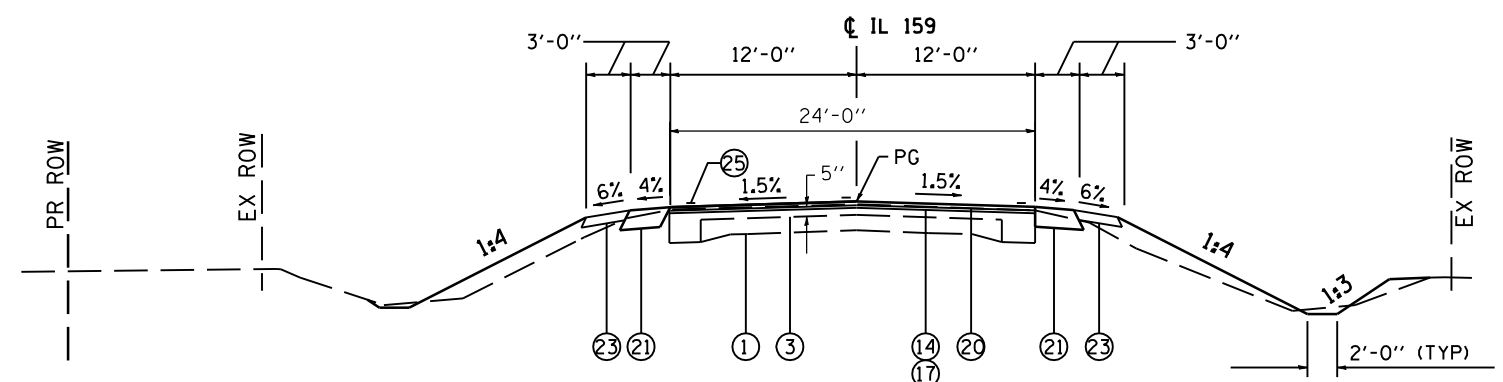


| F.A.P. RTE. | SECTION | COUNTY | TOTAL SHEETS | SHEET NO. |
|-----------------------------------|----------|------------------|--------------|-----------|
| * | ** | MACOUPIN | 231 | 11 |
| STA. | | TO STA. | | |
| FED. ROAD DIST. NO. | ILLINOIS | FED. AID PROJECT | | |
| * FAP 325 & FAP 604 | | | | |
| ** 14R; 115RS-2; 116RS-4; 10IRS-2 | | | | |



LOCATION A - #7
 IL RTE 16
 STA 1138+17.97 TO STA 1140+96.61



LOCATION A - #8
 IL RTE 159
 STA 101+26.77 TO STA 101+51.77

C PAVEMENT REMOVAL

| LOCATION | AREA |
|--------------------------|---------|
| 1137+00.00 TO 1143+13.70 | 1501.21 |

- LEGEND**
- ① EX CONCRETE PAVEMENT 9-6-9
 - ② EX BITUMINOUS WIDENING 9"
 - ③ EX BITUMINOUS OVERLAY
 - ④ EX BITUMINOUS SHOULDERS
 - ⑤ EX AGGREGATE BASE
 - ⑥ EX AGGREGATE SHOULDERS
 - ⑦ EX SMOOTH BAR
 - ⑧ PR PAVEMENT REMOVAL
 - ⑨ PR SUB-BASE GRANULAR MATERIAL, TY A 8"
 - ⑩ PR SUB-BASE GRANULAR MATERIAL, TY B VAR DEPTH
 - ⑪ PR BITUMINOUS BASE COURSE SUPERPAVE 8"
 - ⑫ PR BITUMINOUS BASE COURSE SUPERPAVE 11"
OR BIT CONC BASE COURSE WIDENING SP 11"
 - ⑬ PR BITUMINOUS BASE COURSE SUPERPAVE 9"
OR BIT CONC BASE COURSE WIDENING SP 9"
 - ⑭ PR BITUMINOUS SURFACE REMOVAL (VAR DEPTH)
 - ⑮ PR BITUMINOUS SURFACE REMOVAL 2 1/4"
 - ⑯ PR LEVELING BINDER (MM), SP N50 3/4"
 - ⑰ PR LEVELING BINDER (MM), SP N50 1"
 - ⑱ PR BIT CONC BIND CSE, SP, IL-19.0, N50 VAR DEPTH
 - ⑲ PR BIT CONC SURF CSE, SP, MIX "D", N50 1 1/2"
 - ⑳ PR BIT CONC SURF CSE, SP, MIX "D", N50 2"
 - ㉑ PR BITUMINOUS SHOULDERS SUPERPAVE 8"
 - ㉒ PR BITUMINOUS SHOULDERS SUPERPAVE
 - ㉓ PR AGGREGATE SHOULDERS, TYPE B 6"
 - ㉔ PR AGGREGATE SHOULDERS, TYPE B (WEDGE)
 - ㉕ PR PAVEMENT MARKING
 - ㉖ PR SODDING

| REVISIONS | |
|-----------|------|
| NAME | DATE |
| | |
| | |
| | |
| | |
| | |
| | |
| | |
| | |
| | |
| | |

ILLINOIS DEPARTMENT OF TRANSPORTATION
TYPICAL SECTIONS
 FAP 325 (IL 16) & FAP 604 (IL 159)
 SECTION 14R, 115RS-2, 116RS-4, 10IRS-2
 MACOUPIN COUNTY

SCALE: VERT. _____
 HORIZ. _____

DATE _____ DRAWN BY _____
 CHECKED BY _____

PLOT DATE : #DATES
 FILE NAME : #FILEL#
 PLOT SCALE : #SCALE#
 USER NAME : #USER#