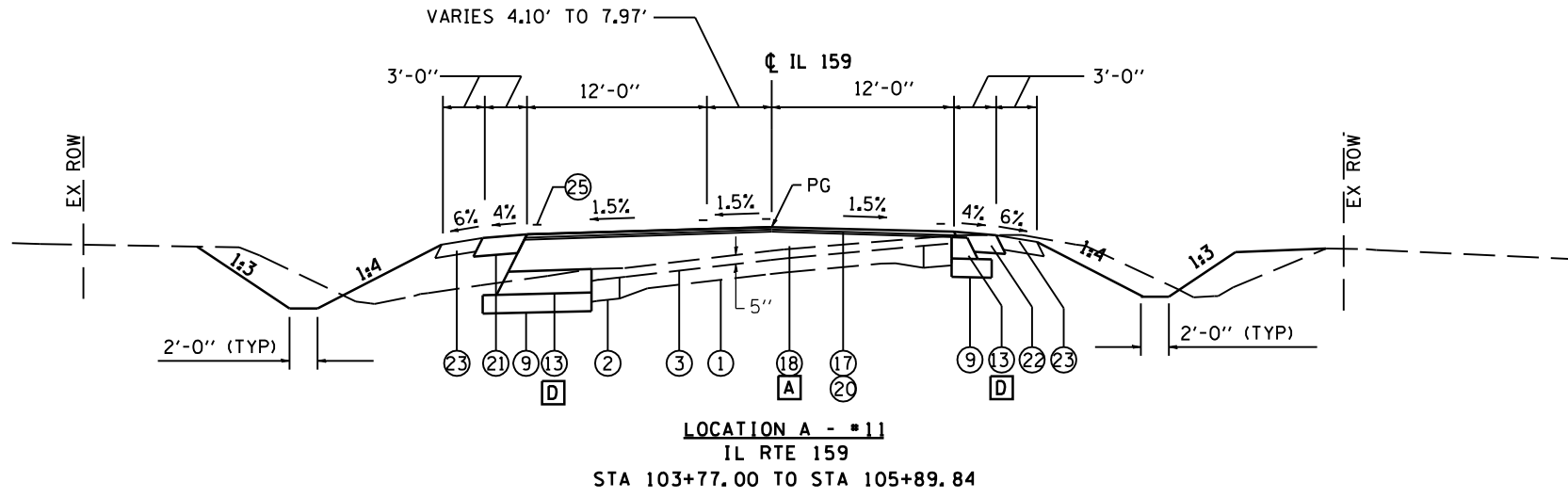
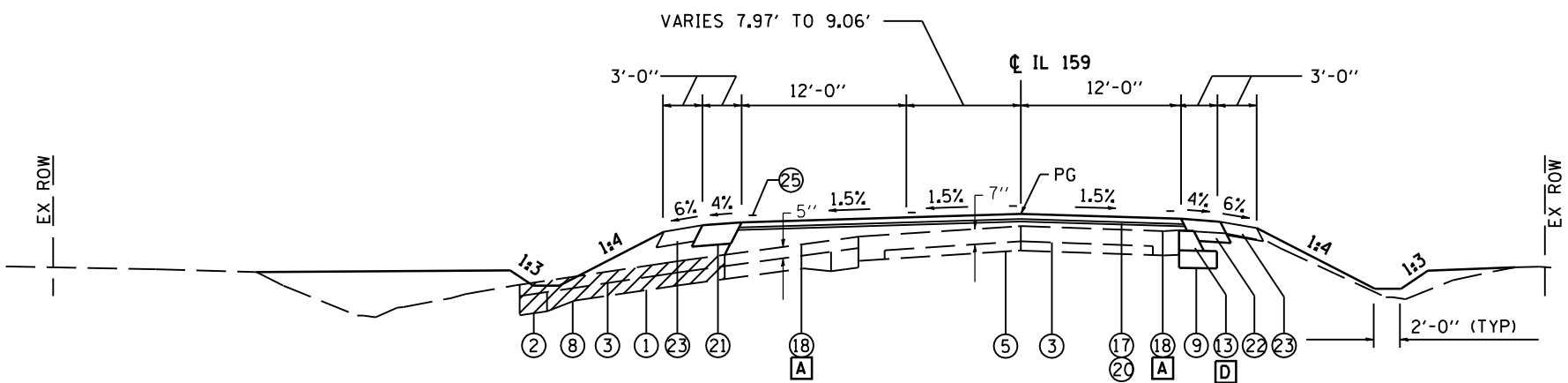


F.A.P. RTE.	SECTION	COUNTY	TOTAL SHEETS	SHEET NO.
*	**	MACOUPIN	231	13
STA.		TO STA.		
FED. ROAD DIST. NO.	ILLINOIS	FED. AID PROJECT		
* FAP 325 & FAP 604				
** 14R; 115RS-2; 116RS-4; 101RS-2				



LOCATION A - #11  
IL RTE 159  
STA 103+77.00 TO STA 105+89.84



LOCATION A - #12  
IL RTE 159  
STA 105+89.84 TO STA 106+50.11

- LEGEND**
- ① EX CONCRETE PAVEMENT 9-6-9
  - ② EX BITUMINOUS WIDENING 9"
  - ③ EX BITUMINOUS OVERLAY
  - ④ EX BITUMINOUS SHOULDERS
  - ⑤ EX AGGREGATE BASE
  - ⑥ EX AGGREGATE SHOULDERS
  - ⑦ EX SMOOTH BAR
  - ⑧ PR PAVEMENT REMOVAL
  - ⑨ PR SUB-BASE GRANULAR MATERIAL, TY A 8"
  - ⑩ PR SUB-BASE GRANULAR MATERIAL, TY B VAR DEPTH
  - ⑪ PR BITUMINOUS BASE COURSE SUPERPAVE 8"
  - ⑫ PR BITUMINOUS BASE COURSE SUPERPAVE 11"  
OR BIT CONC BASE COURSE WIDENING SP 11"
  - ⑬ PR BITUMINOUS BASE COURSE SUPERPAVE 9"  
OR BIT CONC BASE COURSE WIDENING SP 9"
  - ⑭ PR BITUMINOUS SURFACE REMOVAL (VAR DEPTH)
  - ⑮ PR BITUMINOUS SURFACE REMOVAL 2 1/4"
  - ⑯ PR LEVELING BINDER (MM), SP N50 3/4"
  - ⑰ PR LEVELING BINDER (MM), SP N50 1"
  - ⑱ PR BIT CONC BIND CSE, SP, IL-19.0, N50 VAR DEPTH
  - ⑲ PR BIT CONC SURF CSE, SP, MIX "D", N50 1 1/2"
  - ⑳ PR BIT CONC SURF CSE, SP, MIX "D", N50 2"
  - ㉑ PR BITUMINOUS SHOULDERS SUPERPAVE 8"
  - ㉒ PR BITUMINOUS SHOULDERS SUPERPAVE
  - ㉓ PR AGGREGATE SHOULDERS, TYPE B 6"
  - ㉔ PR AGGREGATE SHOULDERS, TYPE B (WEDGE)
  - ㉕ PR PAVEMENT MARKING
  - ㉖ PR SODDING

**A** BINDER COURSE THICKNESS

STATION	LT EOP	c <sub>L</sub>	RT EOP
104+00	0.32	0.21	0.00
104+50	0.90	0.52	0.00
105+00	1.43	0.84	0.16
105+50	1.85	0.89	0.00
106+00	1.84	0.69	0.15
106+50	1.12	0.38	0.36

**D** PERMANENT WIDENING WIDTH

STATION	WIDTH (FT)
LT STA 104+00	4.17'
LT STA 104+50	5.41'
LT STA 105+00	6.23'
LT STA 105+50	3.95'
LT STA 105+67	1.00'
RT STA 103+77	1.00'
RT STA 104+00	1.52'
RT STA 104+50	1.00'
RT STA 105+00	1.16'
RT STA 105+50	1.00'
RT STA 106+00	1.14'
RT STA 106+50	1.00'

REVISIONS		ILLINOIS DEPARTMENT OF TRANSPORTATION
NAME	DATE	
		<b>TYPICAL SECTIONS</b> FAP 325 (IL 16) & FAP 604 (IL 159) SECTION 14R, 115RS-2, 116RS-4, 101RS-2 MACOUPIN COUNTY SCALE: VERT. _____ DRAWN BY _____ HORIZ. _____ CHECKED BY _____ DATE _____

PLOT DATE = \$DATES  
FILE NAME = \$FILEL\$  
PLOT SCALE = \$SCALE\$  
USER NAME = \$USER\$