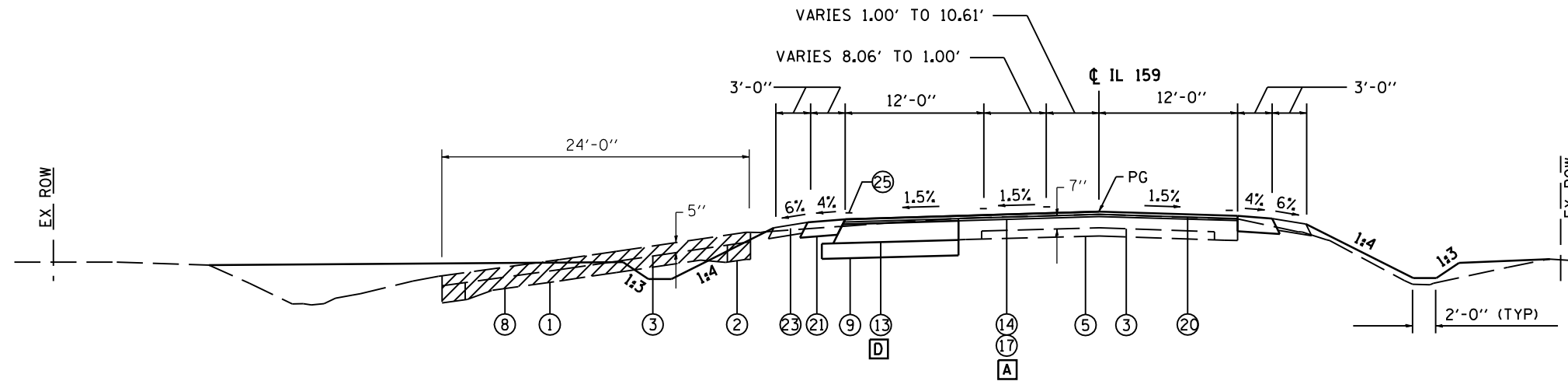
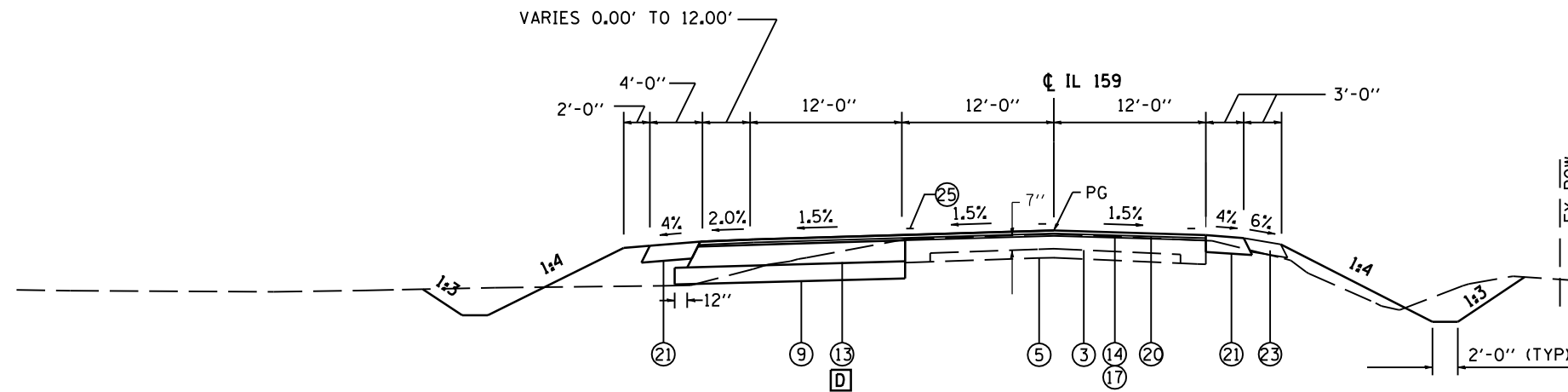


F.A.P. RTE.	SECTION	COUNTY	TOTAL SHEETS	SHEET NO.
*	**	MACOUPIN	231	14
STA.		TO STA.		
FED. ROAD DIST. NO.	ILLINOIS	FED. AID PROJECT		
* FAP 325 & FAP 604				
** 14R; 115RS-2; 116RS-4; 10IRS-2				



**LOCATION A - #13**  
IL RTE 159  
STA 106+50.11 TO STA 107+90.46



**LOCATION A - #14**  
IL RTE 159  
STA 107+90.46 TO STA 112+86.01

- LEGEND**
- ① EX CONCRETE PAVEMENT 9-6-9
  - ② EX BITUMINOUS WIDENING 9"
  - ③ EX BITUMINOUS OVERLAY
  - ④ EX BITUMINOUS SHOULDERS
  - ⑤ EX AGGREGATE BASE
  - ⑥ EX AGGREGATE SHOULDERS
  - ⑦ EX SMOOTH BAR
  - ⑧ PR PAVEMENT REMOVAL
  - ⑨ PR SUB-BASE GRANULAR MATERIAL, TY A 8"
  - ⑩ PR SUB-BASE GRANULAR MATERIAL, TY B VAR DEPTH
  - ⑪ PR BITUMINOUS BASE COURSE SUPERPAVE 8"
  - ⑫ PR BITUMINOUS BASE COURSE SUPERPAVE 11"  
OR BIT CONC BASE COURSE WIDENING SP 11"
  - ⑬ PR BITUMINOUS BASE COURSE SUPERPAVE 9"  
OR BIT CONC BASE COURSE WIDENING SP 9"
  - ⑭ PR BITUMINOUS SURFACE REMOVAL (VAR DEPTH)
  - ⑮ PR BITUMINOUS SURFACE REMOVAL 2 1/4"
  - ⑯ PR LEVELING BINDER (MM), SP N50 3/4"
  - ⑰ PR LEVELING BINDER (MM), SP N50 1"
  - ⑱ PR BIT CONC BIND CSE, SP, IL-19.0, N50 VAR DEPTH
  - ⑲ PR BIT CONC SURF CSE, SP, MIX "D", N50 1 1/2"
  - ⑳ PR BIT CONC SURF CSE, SP, MIX "D", N50 2"
  - ㉑ PR BITUMINOUS SHOULDERS SUPERPAVE 8"
  - ㉒ PR BITUMINOUS SHOULDERS SUPERPAVE
  - ㉓ PR AGGREGATE SHOULDERS, TYPE B 6"
  - ㉔ PR AGGREGATE SHOULDERS, TYPE B (WEDGE)
  - ㉕ PR PAVEMENT MARKING
  - ㉖ PR SODDING

**A BINDER COURSE THICKNESS**

STATION	LT EOP	C	RT EOP
107+00.00	0.08	0.08	0.08

**B TEMPORARY WIDENING WIDTH**

STATION	WIDTH (FT)
111+95.83	0.00
112+25.00	36.12
112+50.00	20.58
112+75.00	8.58

**D PERMANENT WIDENING WIDTH**

STATION	WIDTH (FT)
LT STA 106+50.11	9.04'
LT STA 107+00	10.08'
LT STA 107+50	11.14'
LT STA 108+00	12.26'
LT STA 108+50	16.45'
LT STA 109+00	24.55'
LT STA 109+50	24.58'
LT STA 111+00	24.60'
LT STA 111+50	24.57'
LT STA 112+00	24.60'
LT STA 112+50	24.64'
LT STA 112+86.01	21.60'

REVISIONS		ILLINOIS DEPARTMENT OF TRANSPORTATION
NAME	DATE	
		<b>TYPICAL SECTIONS</b> FAP 325 (IL 16) & FAP 604 (IL 159) SECTION 14R, 115RS-2, 116RS-4, 10IRS-2 MACOUPIN COUNTY SCALE: VERT. _____ HORIZ. _____ DATE _____ DRAWN BY _____ CHECKED BY _____

PLOT DATE = \$DATES  
FILE NAME = \$FILEL\$  
PLOT SCALE = \$SCALE\$  
USER NAME = \$USER\$