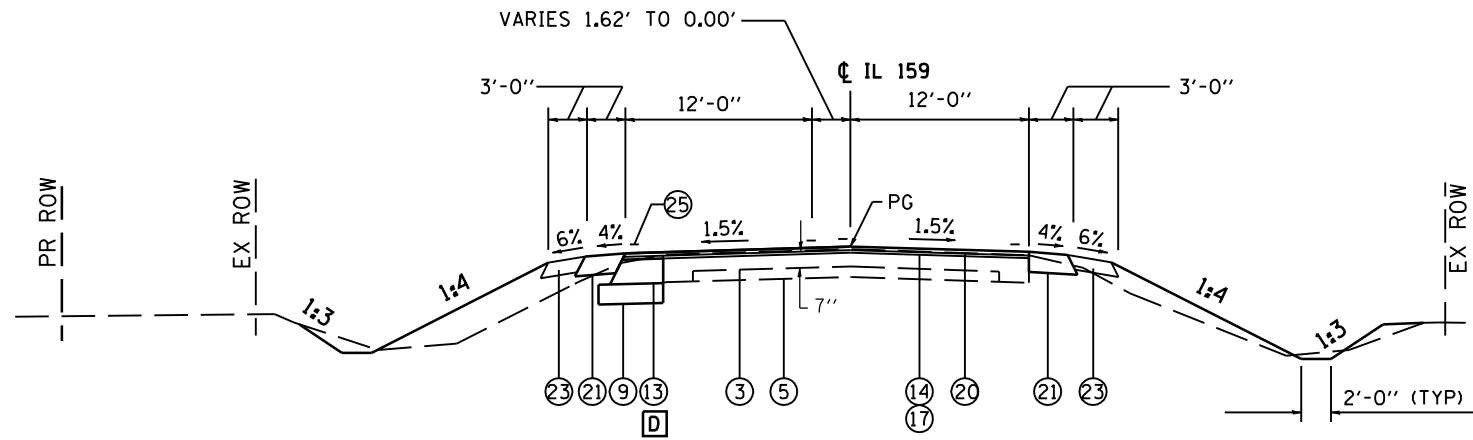
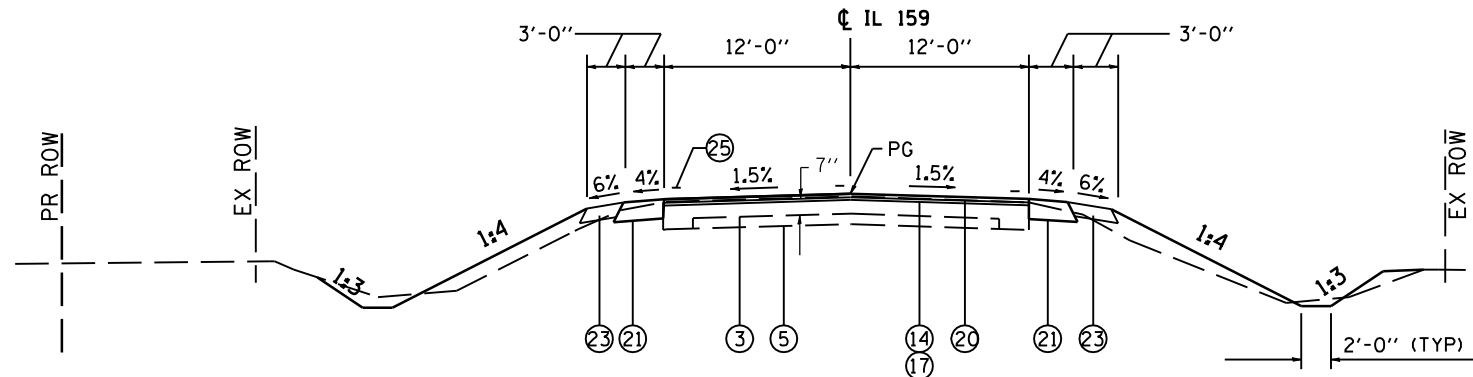


F.A.P. RTE.	SECTION	COUNTY	TOTAL SHEETS	SHEET NO.
*	**	MACOUPIN	231	17
STA.		TO STA.		
FED. ROAD DIST. NO.	ILLINOIS	FED. AID PROJECT		
* FAP 325 & FAP 604				
** 14R; 115RS-2; 116RS-4; 10IRS-2				



LOCATION A - #19
IL RTE 159
STA 117+47.61 TO STA 118+12.12



LOCATION A - #20
IL RTE 159
STA 118+12.12 TO STA 119+12.12

D PERMANENT WIDENING WIDTH	
STATION	WIDTH (FT)
117+47.61	1.14
118+00.00	1.00
118+12.00	1.00

LEGEND

- ① EX CONCRETE PAVEMENT 9-6-9
- ② EX BITUMINOUS WIDENING 9"
- ③ EX BITUMINOUS OVERLAY
- ④ EX BITUMINOUS SHOULDERS
- ⑤ EX AGGREGATE BASE
- ⑥ EX AGGREGATE SHOULDERS
- ⑦ EX SMOOTH BAR
- ⑧ PR PAVEMENT REMOVAL
- ⑨ PR SUB-BASE GRANULAR MATERIAL, TY A 8"
- ⑩ PR SUB-BASE GRANULAR MATERIAL, TY B VAR DEPTH
- ⑪ PR BITUMINOUS BASE COURSE SUPERPAVE 8"
- ⑫ PR BITUMINOUS BASE COURSE SUPERPAVE 11"
OR BIT CONC BASE COURSE WIDENING SP 11"
- ⑬ PR BITUMINOUS BASE COURSE SUPERPAVE 9"
OR BIT CONC BASE COURSE WIDENING SP 9"
- ⑭ PR BITUMINOUS SURFACE REMOVAL (VAR DEPTH)
- ⑮ PR BITUMINOUS SURFACE REMOVAL 2 1/4"
- ⑯ PR LEVELING BINDER (MM), SP N50 3/4"
- ⑰ PR LEVELING BINDER (MM), SP N50 1"
- ⑱ PR BIT CONC BIND CSE, SP, IL-19.0, N50 VAR DEPTH
- ⑲ PR BIT CONC SURF CSE, SP, MIX "D", N50 1 1/2"
- ⑳ PR BIT CONC SURF CSE, SP, MIX "D", N50 2"
- ㉑ PR BITUMINOUS SHOULDERS SUPERPAVE 8"
- ㉒ PR BITUMINOUS SHOULDERS SUPERPAVE
- ㉓ PR AGGREGATE SHOULDERS, TYPE B 6"
- ㉔ PR AGGREGATE SHOULDERS, TYPE B (WEDGE)
- ㉕ PR PAVEMENT MARKING
- ㉖ PR SODDING

REVISIONS	
NAME	DATE

ILLINOIS DEPARTMENT OF TRANSPORTATION
TYPICAL SECTIONS
FAP 325 (IL 16) & FAP 604 (IL 159)
SECTION 14R, 115RS-2, 116RS-4, 10IRS-2
MACOUPIN COUNTY
SCALE: VERT. _____
HORIZ. _____
DATE _____ DRAWN BY _____
CHECKED BY _____

PLOT DATE : #DATES
FILE NAME : #FILEL#
PLOT SCALE : #SCALE#
USER NAME : #USER#