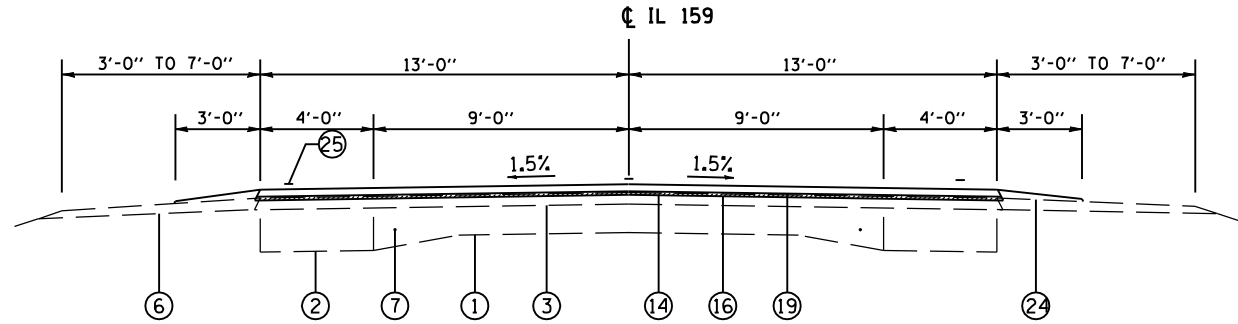


F.A.P. RTE.	SECTION	COUNTY	TOTAL SHEETS	SHEET NO.
*	**	MACOUPIN	231	18
STA.		TO STA.		
FED. ROAD DIST. NO.	ILLINOIS	FED. AID PROJECT		
* FAP 325 & FAP 604				
** 14R; 115RS-2; 116RS-4; 10IRS-2				

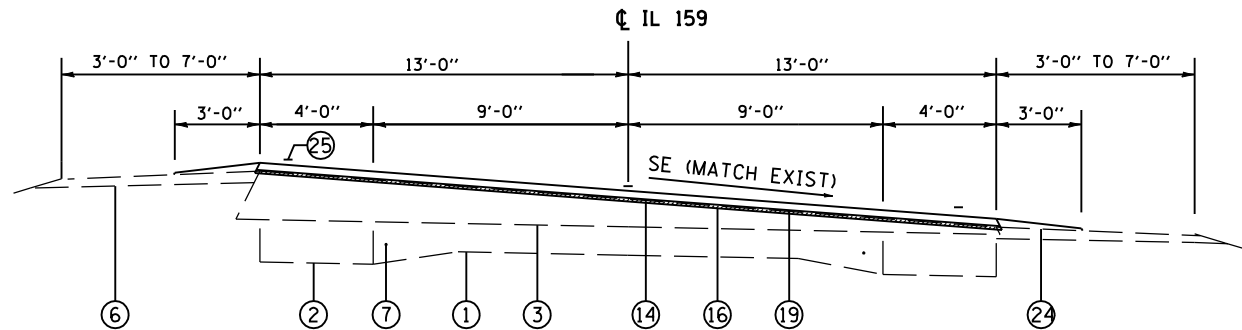


LOCATION B - #1

STA 1149+43.64 TO STA 1268+28.45
 STA 1281+45.41 TO STA 1282+12.27
 STA 1294+78.68 TO STA 188+25.00

STA EQUATIONS

STA 101+26.77 BK = STA 1149+43.64 AH
 STA 1154+95.82 BK = STA 1154+99.92 AH
 STA 1304+24.50 BK = STA 104+19.78 AH

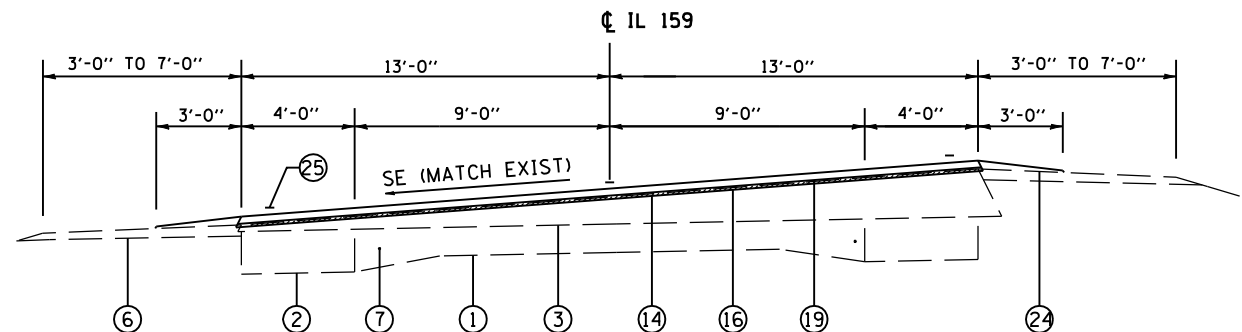


LOCATION B - #2

STA 1268+28.45 TO STA 1281+45.41

STA EQUATION

STA 1280+02.26 BK = STA 1280+11.77 AH



LOCATION B - #3

STA 1282+12.27 TO STA 1294+78.68

STA EQUATION

STA 1293+48.10 BK = STA 1293+53.91 AH

LEGEND

- ① EX CONCRETE PAVEMENT 9-6-9
- ② EX BITUMINOUS WIDENING 9"
- ③ EX BITUMINOUS OVERLAY
- ④ EX BITUMINOUS SHOULDERS
- ⑤ EX AGGREGATE BASE
- ⑥ EX AGGREGATE SHOULDERS
- ⑦ EX SMOOTH BAR
- ⑧ PR PAVEMENT REMOVAL
- ⑨ PR SUB-BASE GRANULAR MATERIAL, TY A 8"
- ⑩ PR SUB-BASE GRANULAR MATERIAL, TY B VAR DEPTH
- ⑪ PR BITUMINOUS BASE COURSE SUPERPAVE 8"
- ⑫ PR BITUMINOUS BASE COURSE SUPERPAVE 11"
OR BIT CONC BASE COURSE WIDENING SP 11"
- ⑬ PR BITUMINOUS BASE COURSE SUPERPAVE 9"
OR BIT CONC BASE COURSE WIDENING SP 9"
- ⑭ PR BITUMINOUS SURFACE REMOVAL (VAR DEPTH)
- ⑮ PR BITUMINOUS SURFACE REMOVAL 2 1/4"
- ⑯ PR LEVELING BINDER (MM), SP N50 3/4"
- ⑰ PR LEVELING BINDER (MM), SP N50 1"
- ⑱ PR BIT CONC BIND CSE, SP, IL-19.0, N50 VAR DEPTH
- ⑲ PR BIT CONC SURF CSE, SP, MIX "D", N50 1 1/2"
- ⑳ PR BIT CONC SURF CSE, SP, MIX "D", N50 2"
- ㉑ PR BITUMINOUS SHOULDERS SUPERPAVE 8"
- ㉒ PR BITUMINOUS SHOULDERS SUPERPAVE
- ㉓ PR AGGREGATE SHOULDERS, TYPE B 6"
- ㉔ PR AGGREGATE SHOULDERS, TYPE B (WEDGE)
- ㉕ PR PAVEMENT MARKING
- ㉖ PR SODDING

NOTE: THE THRU LANES WILL BE STRIPED AT 11'-0"

REVISIONS		ILLINOIS DEPARTMENT OF TRANSPORTATION
NAME	DATE	
		TYPICAL SECTIONS FAP 325 (IL 16) & FAP 604 (IL 159) SECTION 14R, 115RS-2, 116RS-4, 10IRS-2 MACOUPIN COUNTY SCALE: VERT. _____ HORIZ. _____ DATE _____ DRAWN BY _____ CHECKED BY _____

PLOT DATE = #DATES
 FILE NAME = #FILEL#
 PLOT SCALE = #SCALE#
 USER NAME = #USER#