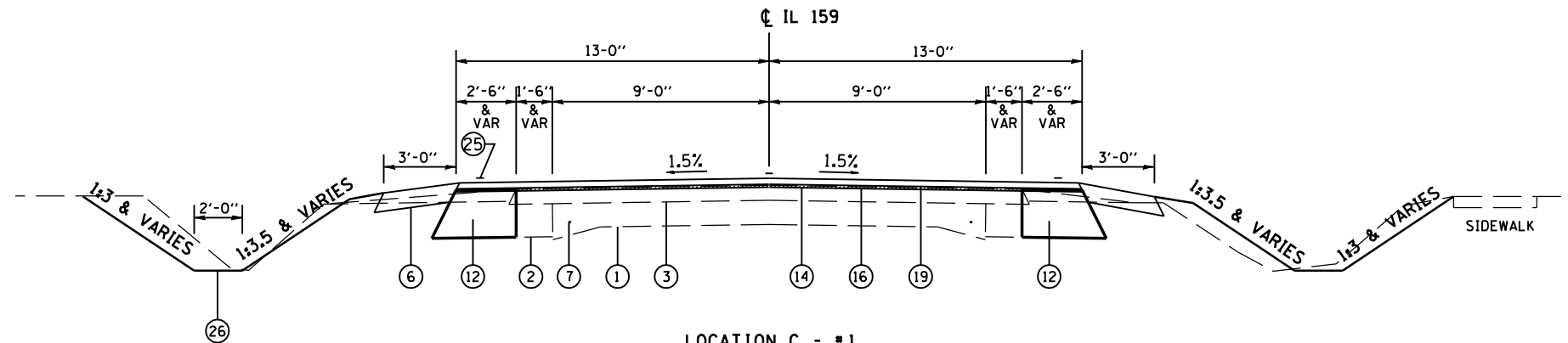
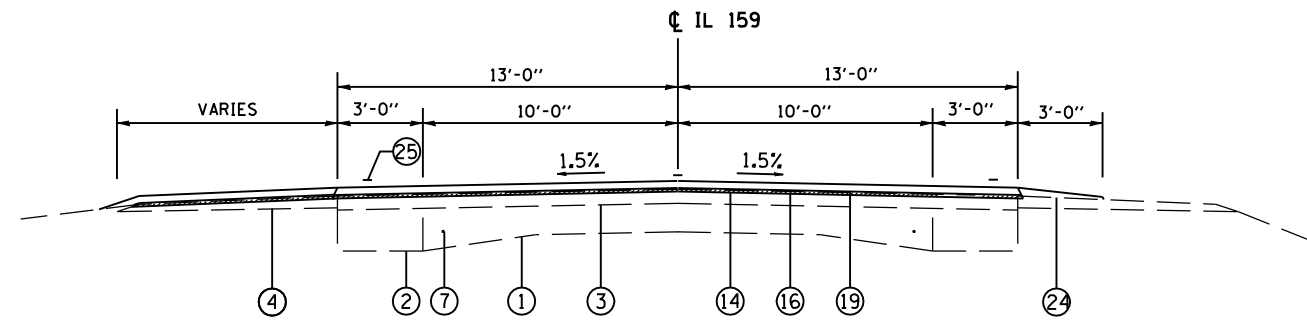


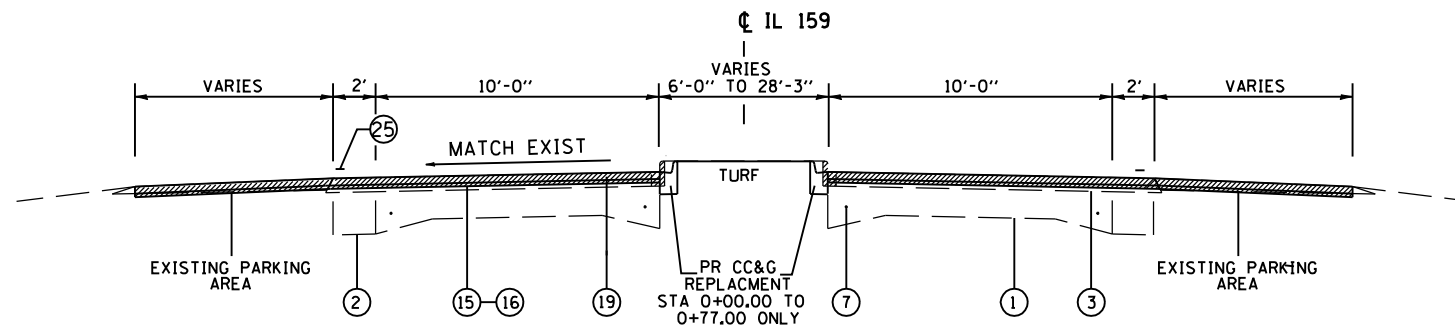
F.A.P. RTE.	SECTION	COUNTY	TOTAL SHEETS	SHEET NO.
*	**	MACOUPIN	231	19
STA.		TO STA.		
FED. ROAD DIST. NO.	ILLINOIS	FED. AID PROJECT		
* FAP 325 & FAP 604				
** 14R; 115RS-2; 116RS-4; 10IRS-2				



LOCATION C - #1
STA 188+25.00 TO STA 199+38.00



LOCATION C - #2
STA 199+38.00 TO STA 200+35.00



LOCATION C - #3
STA 200+35.00 TO STA 201+25.00
STA 0+00.00 TO STA 0+77.00

LEGEND

- ① EX CONCRETE PAVEMENT 9-6-9
- ② EX BITUMINOUS WIDENING 9"
- ③ EX BITUMINOUS OVERLAY
- ④ EX BITUMINOUS SHOULDERS
- ⑤ EX AGGREGATE BASE
- ⑥ EX AGGREGATE SHOULDERS
- ⑦ EX SMOOTH BAR
- ⑧ PR PAVEMENT REMOVAL
- ⑨ PR SUB-BASE GRANULAR MATERIAL, TY A 8"
- ⑩ PR SUB-BASE GRANULAR MATERIAL, TY B VAR DEPTH
- ⑪ PR BITUMINOUS BASE COURSE SUPERPAVE 8"
- ⑫ PR BITUMINOUS BASE COURSE SUPERPAVE 11"
OR BIT CONC BASE COURSE WIDENING SP 11"
- ⑬ PR BITUMINOUS BASE COURSE SUPERPAVE 9"
OR BIT CONC BASE COURSE WIDENING SP 9"
- ⑭ PR BITUMINOUS SURFACE REMOVAL (VAR DEPTH)
- ⑮ PR BITUMINOUS SURFACE REMOVAL 2 1/4"
- ⑯ PR LEVELING BINDER (MM), SP N50 3/4"
- ⑰ PR LEVELING BINDER (MM), SP N50 1"
- ⑱ PR BIT CONC BIND CSE, SP, IL-19.0, N50 VAR DEPTH
- ⑲ PR BIT CONC SURF CSE, SP, MIX "D", N50 1 1/2"
- ⑳ PR BIT CONC SURF CSE, SP, MIX "D", N50 2"
- ㉑ PR BITUMINOUS SHOULDERS SUPERPAVE 8"
- ㉒ PR BITUMINOUS SHOULDERS SUPERPAVE
- ㉓ PR AGGREGATE SHOULDERS, TYPE B 6"
- ㉔ PR AGGREGATE SHOULDERS, TYPE B (WEDGE)
- ㉕ PR PAVEMENT MARKING
- ㉖ PR SODDING

NOTE: THE THRU LANES WILL BE STRIPED AT 11'-0"

REVISIONS		ILLINOIS DEPARTMENT OF TRANSPORTATION
NAME	DATE	
		<p>TYPICAL SECTIONS</p> <p>FAP 325 (IL 16) & FAP 604 (IL 159)</p> <p>SECTION 14R, 115RS-2, 116RS-4, 10IRS-2</p> <p>MACOUPIN COUNTY</p> <p>SCALE: VERT. _____</p> <p>HORIZ. _____</p> <p>DATE _____</p> <p>DRAWN BY _____</p> <p>CHECKED BY _____</p>

PLOT DATE = #DATES
FILE NAME = #FILEL#
PLOT SCALE = #SCALE#
USER NAME = #USER#