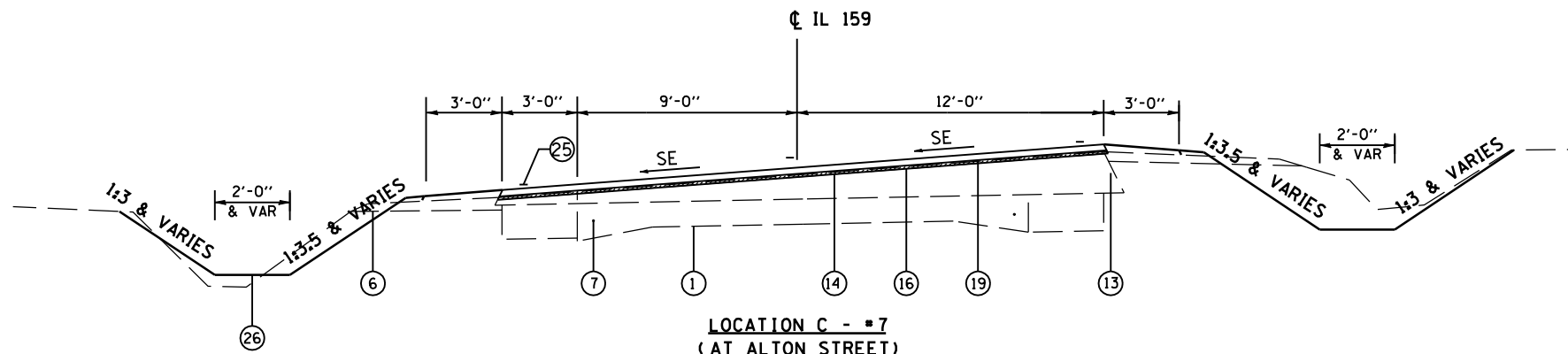
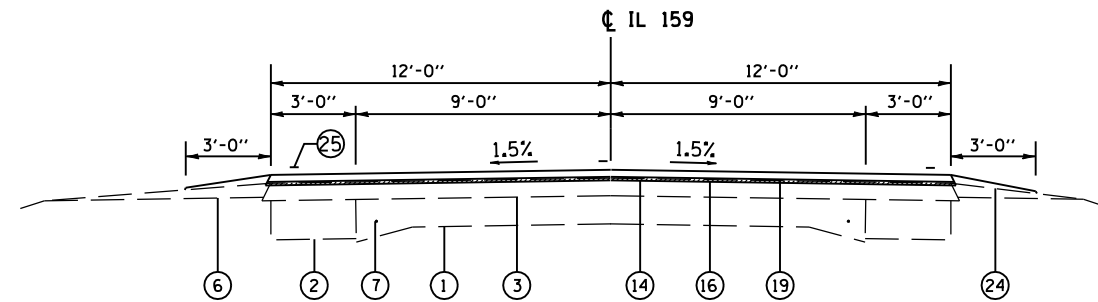


F.A.P. RTE.	SECTION	COUNTY	TOTAL SHEETS	SHEET NO.
*	**	MACOUPIN	231	21
STA.		TO STA.		
FED. ROAD DIST. NO.	ILLINOIS	FED. AID PROJECT		
* FAP 325 & FAP 604				
** 14R; 115RS-2; 116RS-4; 10IRS-2				



**LOCATION C - #7**  
 (AT ALTON STREET)  
 LT STA 25+84.80 TO STA 28+26.29  
 RT STA 26+55.22 TO STA 29+00.45



**LOCATION D - #1**  
 STA 30+00.00 TO STA 175+07.05

**STA EQUATIONS**  
 STA 30+61.01 BK = STA 31+09.65 AH  
 STA 51+64.30 BK = STA 53+55.92 AH  
 STA 91+74.78 BK = STA 91+75.20 AH  
 STA 106+20.58 BK = STA 106+24.40 AH  
 STA 124+31.79 BK = STA 124+36.47 AH  
 STA 165+49.56 BK = STA 165+56.00 AH

**LEGEND**

- ① EX CONCRETE PAVEMENT 9-6-9
- ② EX BITUMINOUS WIDENING 9"
- ③ EX BITUMINOUS OVERLAY
- ④ EX BITUMINOUS SHOULDERS
- ⑤ EX AGGREGATE BASE
- ⑥ EX AGGREGATE SHOULDERS
- ⑦ EX SMOOTH BAR
- ⑧ PR PAVEMENT REMOVAL
- ⑨ PR SUB-BASE GRANULAR MATERIAL, TY A 8"
- ⑩ PR SUB-BASE GRANULAR MATERIAL, TY B VAR DEPTH
- ⑪ PR BITUMINOUS BASE COURSE SUPERPAVE 8"
- ⑫ PR BITUMINOUS BASE COURSE SUPERPAVE 11"  
OR BIT CONC BASE COURSE WIDENING SP 11"
- ⑬ PR BITUMINOUS BASE COURSE SUPERPAVE 9"  
OR BIT CONC BASE COURSE WIDENING SP 9"
- ⑭ PR BITUMINOUS SURFACE REMOVAL (VAR DEPTH)
- ⑮ PR BITUMINOUS SURFACE REMOVAL 2 1/4"
- ⑯ PR LEVELING BINDER (MM), SP N50 3/4"
- ⑰ PR LEVELING BINDER (MM), SP N50 1"
- ⑱ PR BIT CONC BIND CSE, SP, IL-19.0, N50 VAR DEPTH
- ⑲ PR BIT CONC SURF CSE, SP, MIX "D", N50 1 1/2"
- ⑳ PR BIT CONC SURF CSE, SP, MIX "D", N50 2"
- ㉑ PR BITUMINOUS SHOULDERS SUPERPAVE 8"
- ㉒ PR BITUMINOUS SHOULDERS SUPERPAVE
- ㉓ PR AGGREGATE SHOULDERS, TYPE B 6"
- ㉔ PR AGGREGATE SHOULDERS, TYPE B (WEDGE)
- ㉕ PR PAVEMENT MARKING
- ㉖ PR SODDING

NOTE: THE THRU LANES WILL BE STRIPED AT 11'-0"

REVISIONS		ILLINOIS DEPARTMENT OF TRANSPORTATION
NAME	DATE	
		<b>TYPICAL SECTIONS</b> FAP 325 (IL 16) & FAP 604 (IL 159) SECTION 14R, 115RS-2, 116RS-4, 10IRS-2 MACOUPIN COUNTY SCALE: VERT. _____ HORIZ. _____ DATE _____ DRAWN BY _____ CHECKED BY _____

PLOT DATE : #DATES  
 FILE NAME : #FILEL#  
 PLOT SCALE : #SCALE#  
 USER NAME : #USER#