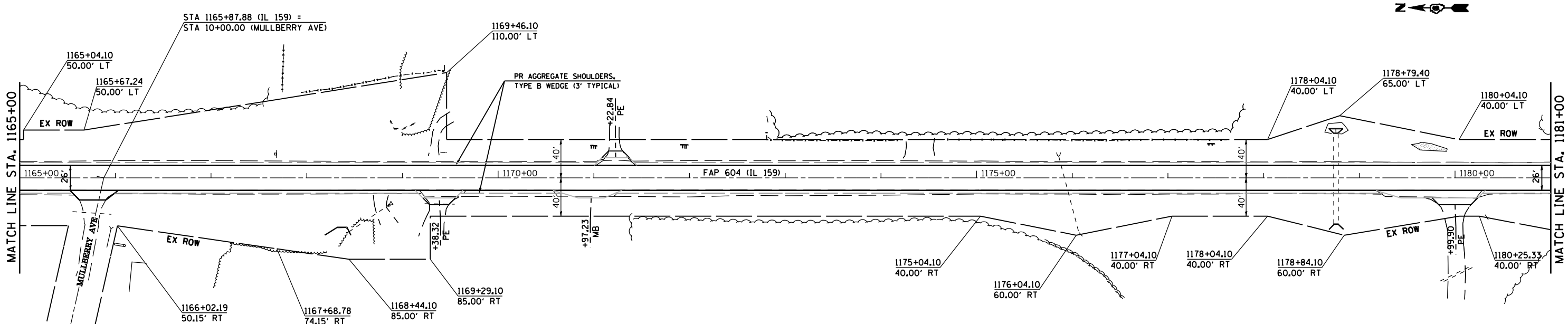
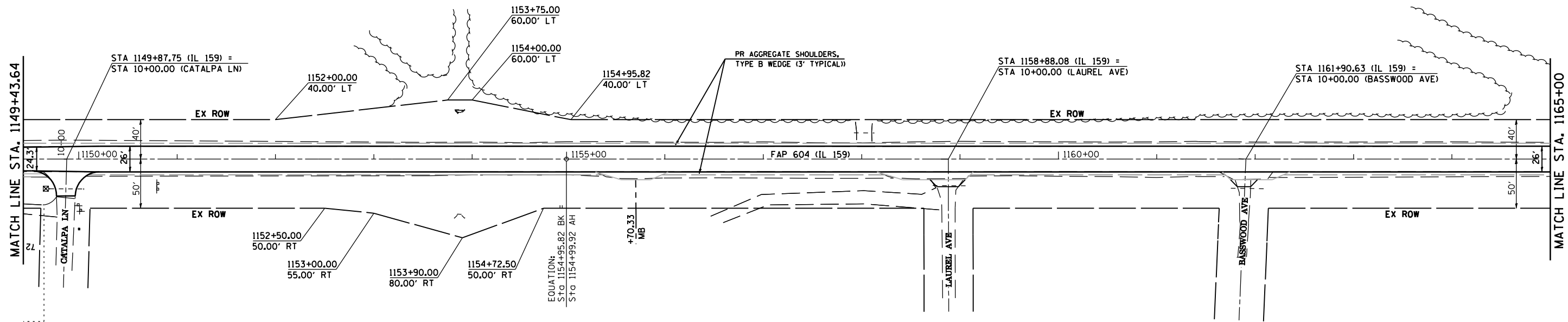


F.A.P. RTE.	SECTION	COUNTY	TOTAL SHEETS	SHEET NO.
*	**	MACOUPIN	231	46
STA.		TO STA.		
FED. ROAD DIST. NO.	ILLINOIS	FED. AID PROJECT		
* FAP 325 & FAP 604				
** 14R; 115RS-2; 116RS-4; 101RS-2				

NOTE: FOR ENTRANCES, MAILBOX TURNOUTS, AND SIDE ROADS ON PART B, SEE DISTRICT SIX ENTRANCE DETAIL FOR 'PPP' PROJECTS



PLOT DATE: * DATE *
 PLOT SCALE: * SCALES *

REVISIONS	
NAME	DATE

ILLINOIS DEPARTMENT OF TRANSPORTATION
PLAN VIEW
 FAP 325 (IL 16) & FAP 604 (IL 159)
 SECTION 14R; 115RS-2; 116RS-4; 101RS-2
 MACOUPIN COUNTY
 SCALE: 1" = 50'
 DATE: **DATE**
 DRAWN BY: _____
 CHECKED BY: _____