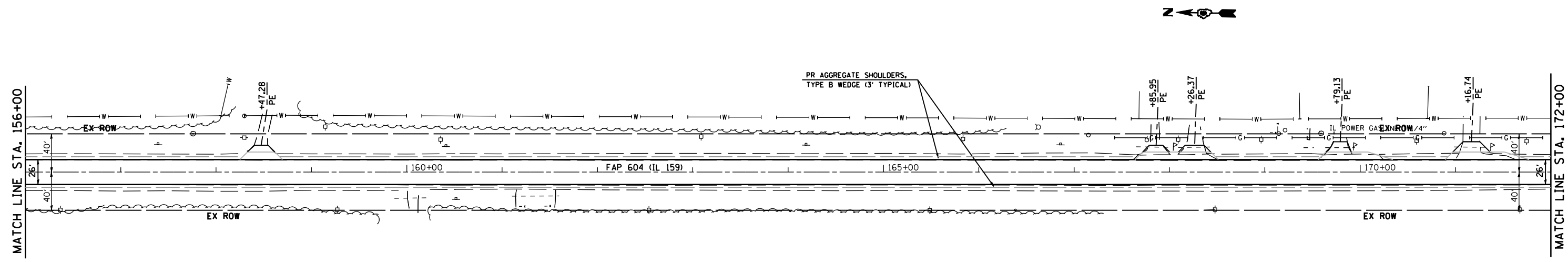
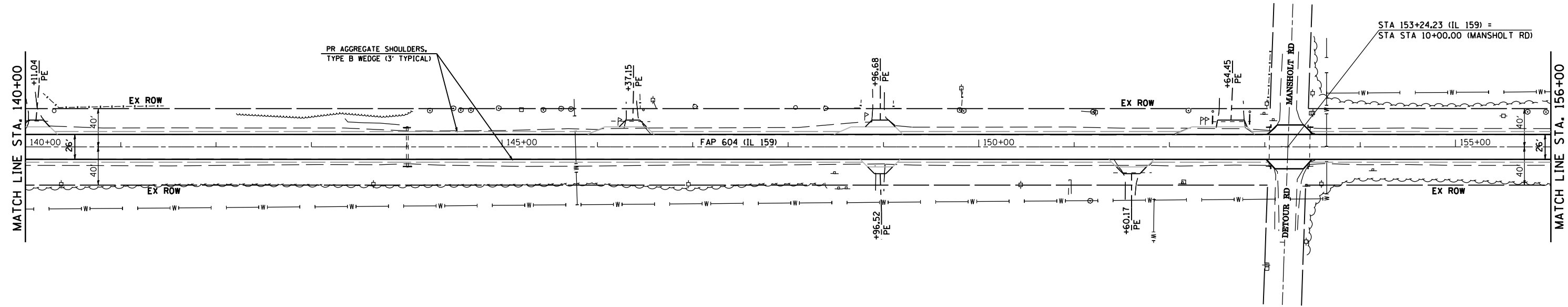


F.A.P. RTE.	SECTION	COUNTY	TOTAL SHEETS	SHEET NO.
*	**	MACOUPIN	231	52
STA.		TO STA.		
FED. ROAD DIST. NO.	ILLINOIS	FED. AID PROJECT		
• FAP 325 & FAP 604 ** 14R; 115RS-2; 116RS-4; 101RS-2				

NOTE: FOR ENTRANCES, MAILBOX TURNOUTS, AND SIDE ROADS ON PART B, SEE DISTRICT SIX ENTRANCE DETAIL FOR 'PPP' PROJECTS



REVISIONS	
NAME	DATE

ILLINOIS DEPARTMENT OF TRANSPORTATION
PLAN VIEW
 FAP 325 (IL 16) & FAP 604 (IL 159)
 SECTION 14R; 115RS-2; 116RS-4; 101RS-2
 MACOUPIN COUNTY
 SCALE: 1" = 50'
 DATE **DATE**
 DRAWN BY
 CHECKED BY

PLOT DATE * DATE *
 PLOT SCALE * SCALES