

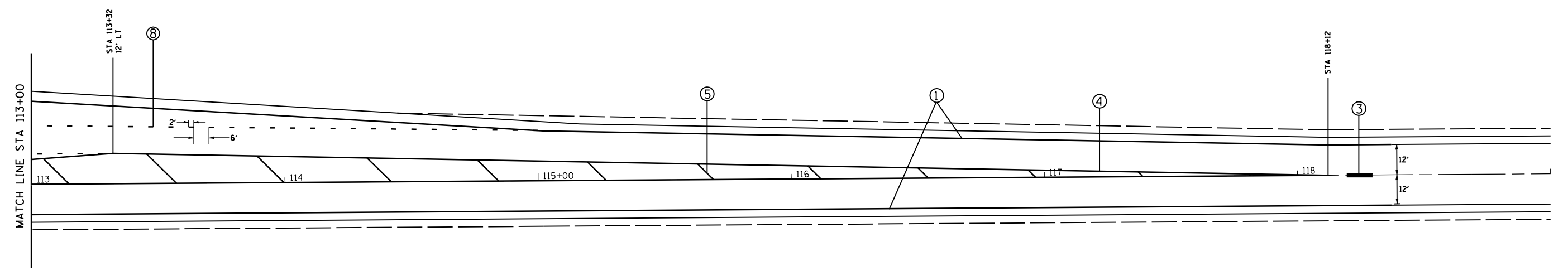
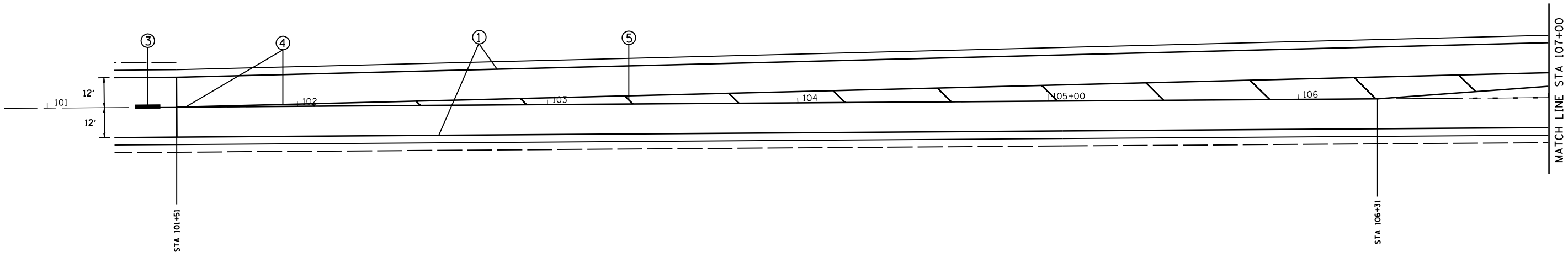
F.A.P. RTE.	SECTION	COUNTY	TOTAL SHEETS	SHEET NO.
*	**	MACOUPIN	231	91

STA.	TO STA.
FED. ROAD DIST. NO.	ILLINOIS FED. AID PROJECT

- * - FAP 325 & FAP 604
- ** - 14R, 115RS-2, 116RS-4, 101RS-2

PAVEMENT MARKING LEGEND

- | | |
|---|-------------------------|
| ① PAINT PAVEMENT MARKING - LINE 5" | (SOLID WHITE EDGE LINE) |
| ② THERMOPLASTIC PAVEMENT MARKING - LINE 6" | (SOLID WHITE EDGE LINE) |
| ③ PAINT PAVEMENT MARKING - LINE 5" | (YELLOW SKIP DASH) |
| ④ THERMOPLASTIC PAVEMENT MARKING - LINE 5" | (DOUBLE YELLOW) |
| ⑤ THERMOPLASTIC PAVEMENT MARKING - LINE 12" | (YELLOW DIAGONAL) |
| ⑥ PREFORMED PLASTIC PAVEMENT MARKING, TYPE B - LINE 24" | (WHITE STOP BARS) |
| ⑦ PREFORMED PLASTIC PAVEMENT MARKING, TYPE B - LETTER AND SYMBOLS | (WHITE ARROWS) |
| ⑧ PREFORMED PLASTIC PAVEMENT MARKING, TYPE B - LINE 6" | (WHITE SKIP DASH) |



IL 16 / IL 159 SHEET 1 OF 3

REVISIONS	
NAME	DATE

ILLINOIS DEPARTMENT OF TRANSPORTATION
PAVEMENT MARKING SHEETS
 FAP 325 (IL 16) & 604 (IL 159)
 SECTION 14R; 115RS-2; 116RS-4; 101RS-2
 MACOUPIN COUNTY

SCALE: VERT. _____
 HORIZ. _____
 DATE _____ DRAWN BY _____
 CHECKED BY _____

PLOT DATE : #DATES
 FILE NAME : #FILEL#
 PLOT SCALE : #SCALE#
 USER NAME : #USER#