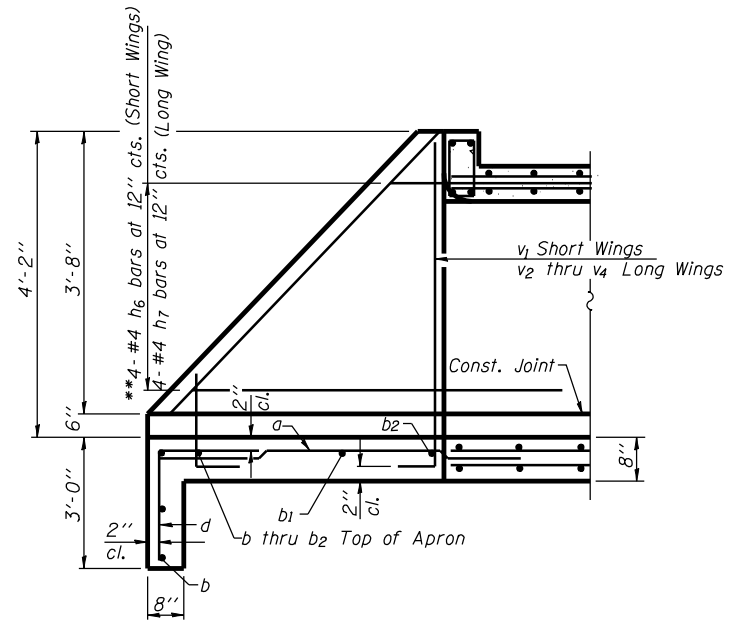
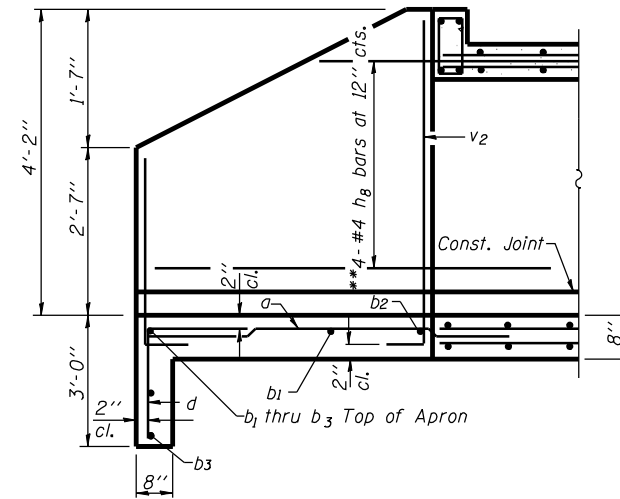


ROUTE NO.	SECTION	COUNTY	TOTAL SHEETS	SHEET NO.
FAP 604	*	MACOUPIN	231	113
FED. ROAD DIST. NO. 7		ILLINOIS	FED. AID PROJECT	

*14R; 115RS-2; 116RS-4; 101RS-2

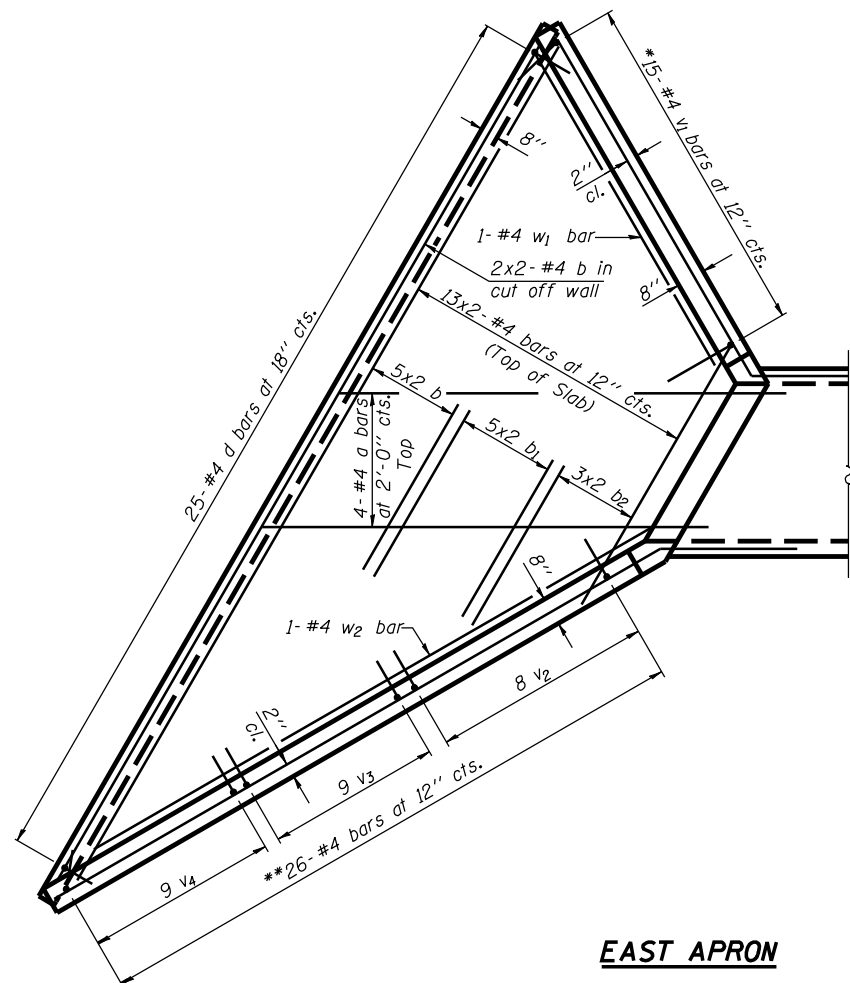


EAST SIDE ELEVATION
(Northwest Side Similar)

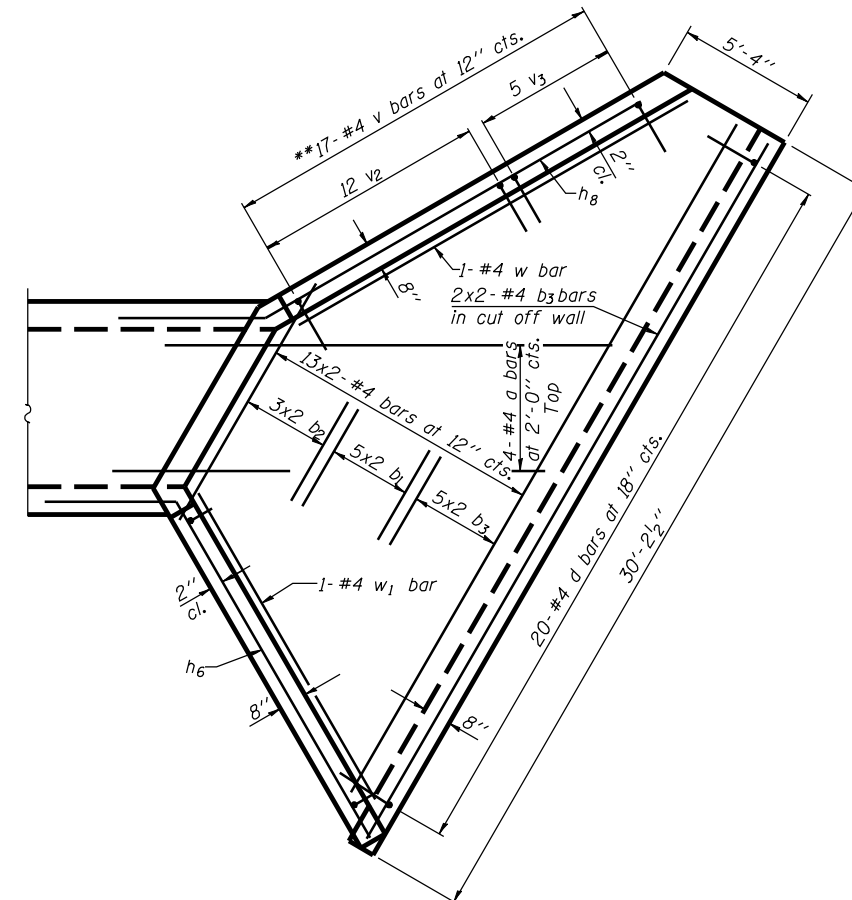


SOUTHWEST SIDE ELEVATION

*Cut to fit and use remainder at Northwest wing.
**Cut to fit.



EAST APRON



WEST APRON

MIN. LAP

#4 bars = 1'-4"

DATE
DRAWN
CHECKED
SCALE
USER

ILLINOIS DEPARTMENT OF TRANSPORTATION			
SHEET TITLE			
CULVERT DETAILS			
PROJECT	FAP ROUTE 604 (IL 159)	PROJECT NO.	03004-21
SEC.	14R; 115RS-2; 116RS-4; 101RS-2	SCALE	
	MACOUPIN COUNTY	DATE	
	STATION 25+30	DRAWN BY	TFG
		CHECKED BY	MCB
COOMBE-BLOXDORF P.C.			
Engineers/Land Surveyors			4
Springfield, Illinois			OF 4 SHTS
Design Firm License No. 184-002708			