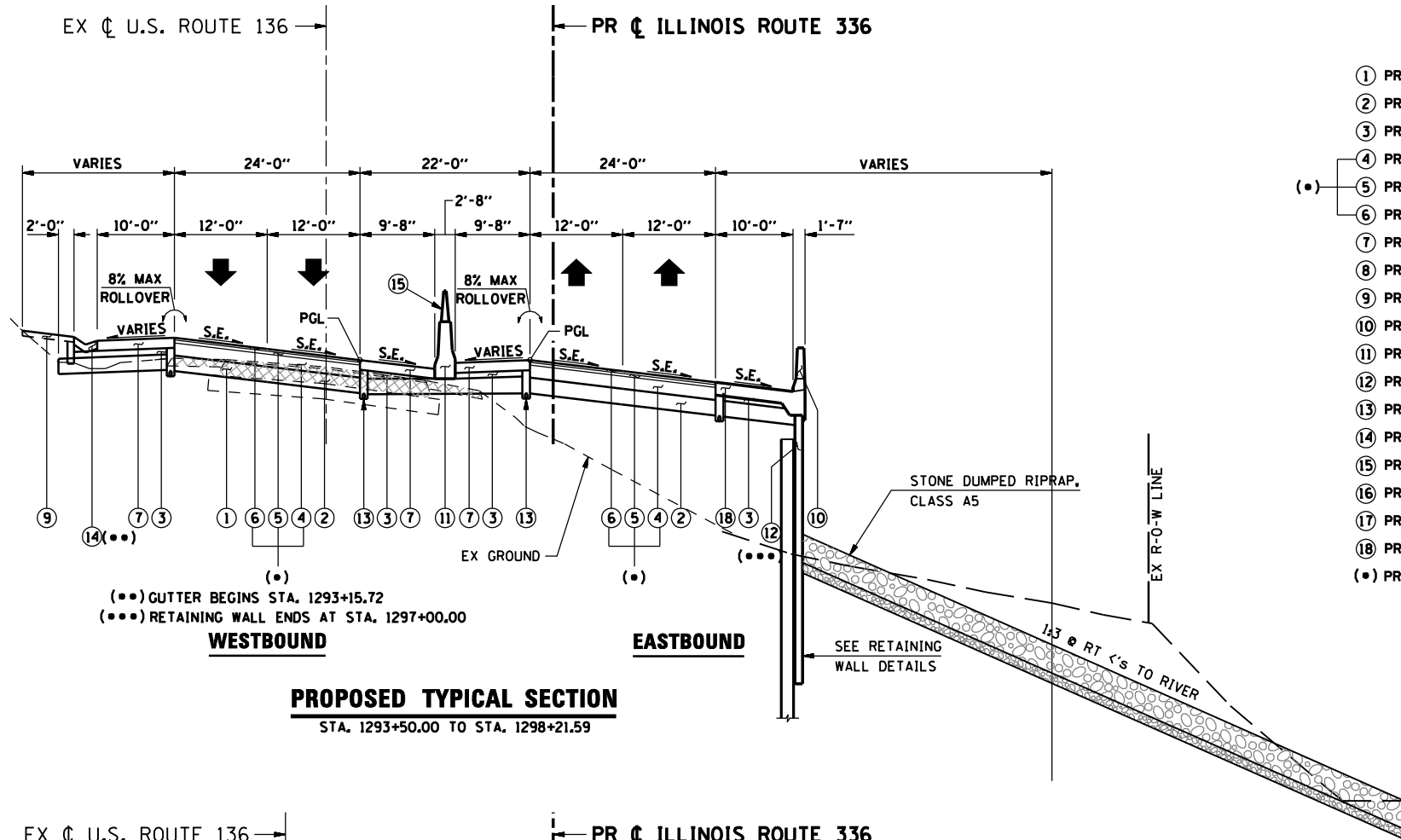


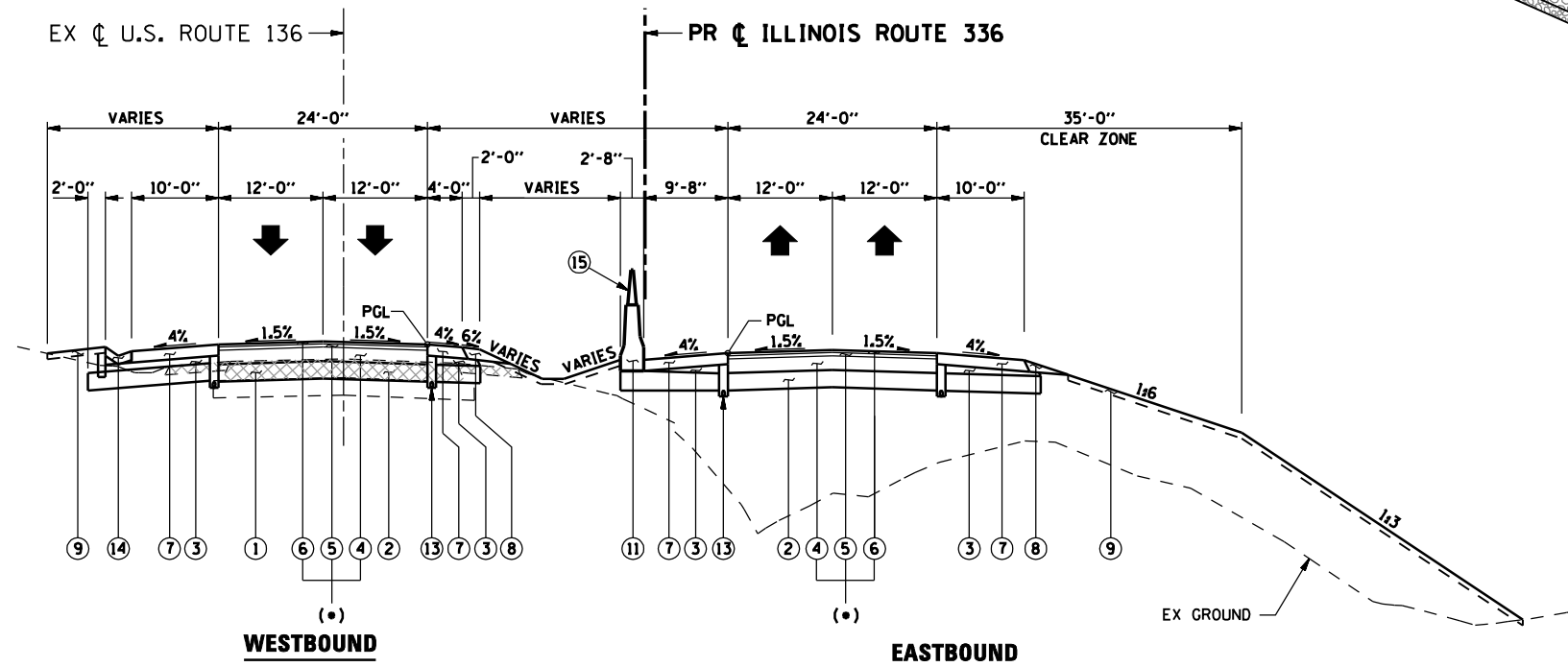
F.A.P. RTE.	SECTION	COUNTY	TOTAL SHEETS	SHEET No.
315	34-5	HANCOCK	612	61
STA.		TO STA.		
FED. ROAD DIST. No.		ILLINOIS FED. AID PROJECT		

LEGEND

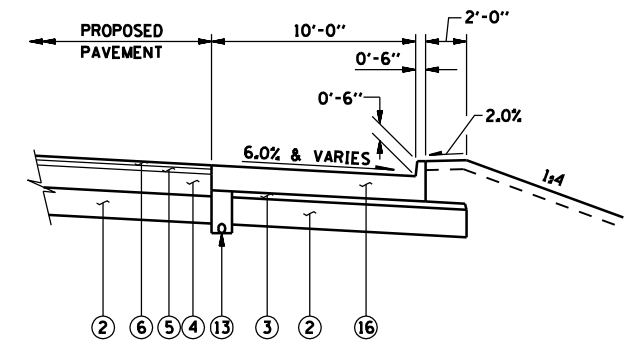
- ① PR PAVEMENT REMOVAL (SEE PLAN FOR LOCATIONS)
- ② PR LIME MODIFIED SOIL 12"
- ③ PR SUB-BASE GRANULAR MATERIAL, TYPE C
- ④ PR POLYMERIZED BIT. CONC. BASE CSE., SUPERPAVE (9/4")
- (•) ⑤ PR POLYMERIZED BIT. CONC. BINDER CE., SUPERPAVE, IL 19.0, N70 (2")
- ⑥ PR POLYMERIZED BIT. CONC. SURFACE CSE., SUPERPAVE, MIXTURE "D", N70 (2")
- ⑦ PR BITUMINOUS SHOULDERS SUPERPAVE 8" WITH RUMBLE STRIPS
- ⑧ PR AGGREGATE SHOULDER, TYPE B
- ⑨ PR TOPSOIL EXCAVATION AND PLACEMENT
- ⑩ PR CONCRETE SINGLE FACED BARRIER WALL
- ⑪ PR CONCRETE DOUBLE FACED MEDIAN BARRIER
- ⑫ PR CONCRETE RETAINING WALL
- ⑬ PR PIPE UNDERDRAIN (STD 601001)
- ⑭ PR CONCRETE GUTTER, TYPE A
- ⑮ PR CONCRETE GLARE SCREEN
- ⑯ PR AGGREGATE BASE COURSE, TYPE A
- ⑰ PR BITUMINOUS CONCRETE PAVEMENT (FULL DEPTH) SUPERPAVE, 10"
- ⑱ PR BITUMINOUS CONCRETE PAVEMENT (FULL DEPTH) SUPERPAVE, 13/4"
- (•••) PR BITUMINOUS CONCRETE PAVEMENT (FULL DEPTH) SUPERPAVE, 13/4"



PROPOSED TYPICAL SECTION
STA. 1293+50.00 TO STA. 1298+21.59



PROPOSED TYPICAL SECTION
STA. 1298+21.59 TO STA. 1301+07.35
(EASTBOUND TRANSITION ENDS AT STA. 1298+64.00)



PROPOSED PCC SHOULDER DETAIL

STA. 1293+20 TO STA. 1293+50
STA. 1297+00 TO STA. 1297+30

REVISIONS	
NAME	DATE

ILLINOIS DEPARTMENT OF TRANSPORTATION

**PROPOSED TYPICAL SECTIONS
IL ROUTE 336 - (US 136)**

SCALE: DRAWN BY: AAD
DATE: MARCH 10, 2006 CHECKED BY: JAC