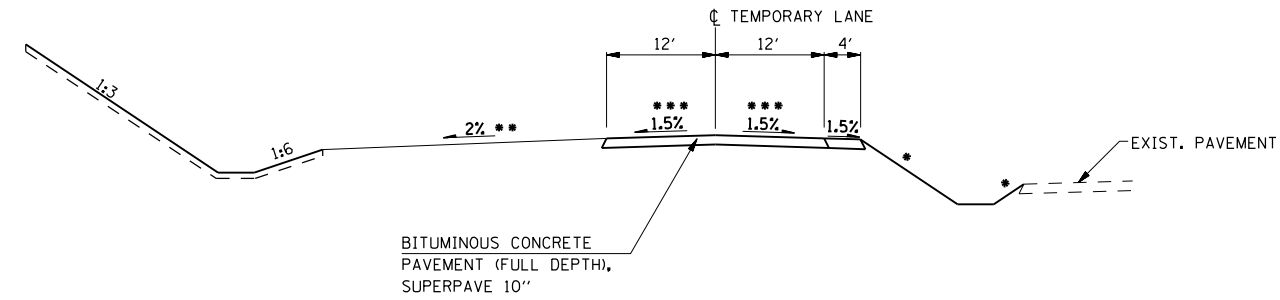


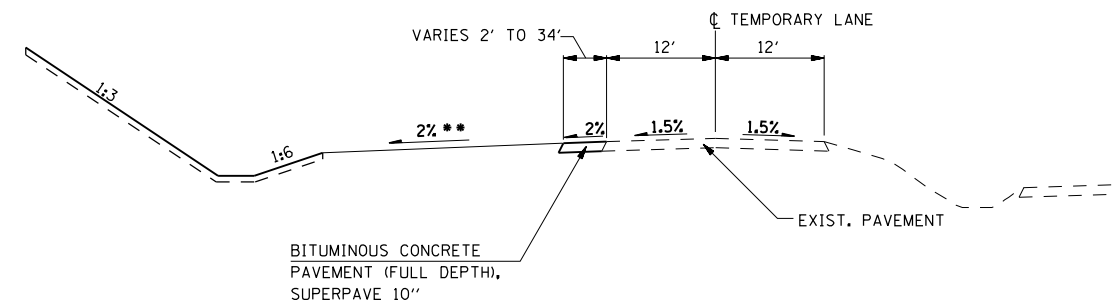
F.A.P. RTE.	SECTION	COUNTY	TOTAL SHEETS	SHEET No.
315	34-5	HANCOCK	612	146
STA. 1393+00		TO STA. 1406+00		
FED. ROAD DIST. No.	ILLINOIS	FED. AID PROJECT		



TYPICAL SECTION

STA 400+65.00 TO STA 405+50.00

- * 1:3 OR FLATTER DESIRABLE
- ** EXTEND 2.0% SLOPE TO PROPOSED FINAL DITCHES EXCEPT IN AREAS OF TEMPORARY DITCHES. SEE CROSS SECTIONS
- *** FROM STA. 404+00 TO STA. 405+50 TRANSITION FROM 1.5% (NORMAL CROWN) CROSS SLOPE TO 2.0% SE CROSS SLOPE.



TYPICAL SECTION

STA 405+50.00 TO STA 409+20.11

REVISIONS	
NAME	DATE

ILLINOIS DEPARTMENT OF TRANSPORTATION

**TEMPORARY CONNECTOR
DETAILS**

SCALE: DRAWN BY: RG
DATE: MARCH 10, 2006 CHECKED BY: JAC

DGN: SPEC
DATE: TIME
*REF: 01

D6 PROJECT: FILE: .