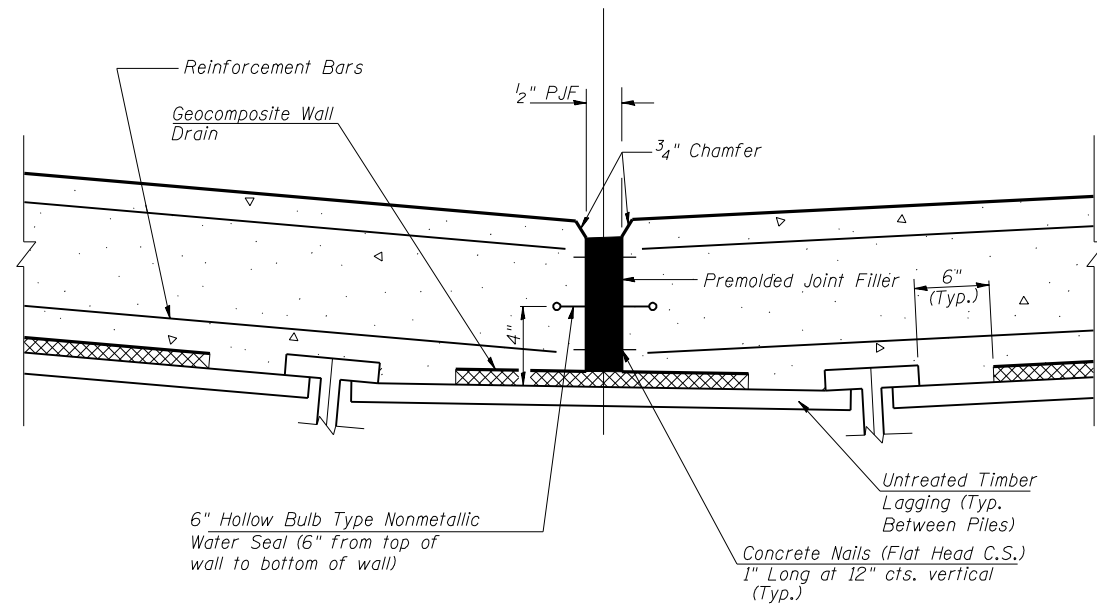


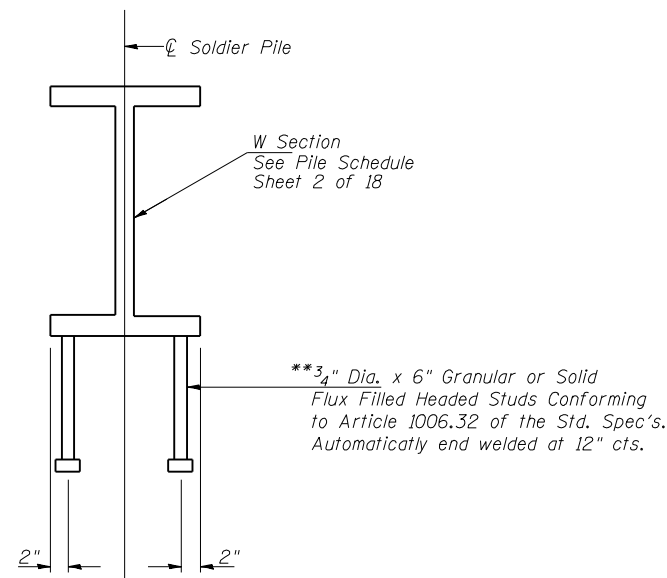
**CONSTRUCTION JOINT DETAIL**

Reinforcement to pass thru joint

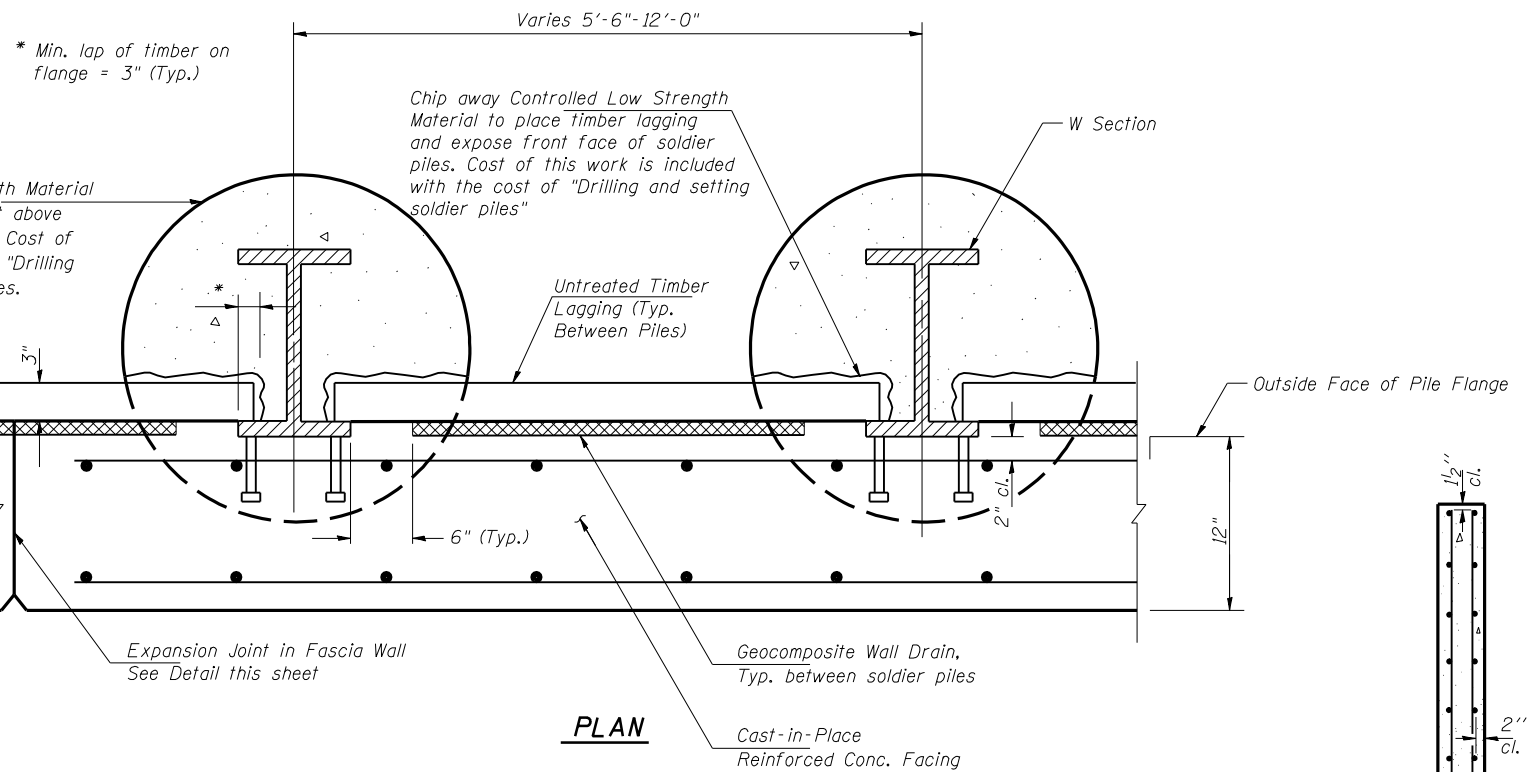


**EXPANSION JOINT DETAIL**

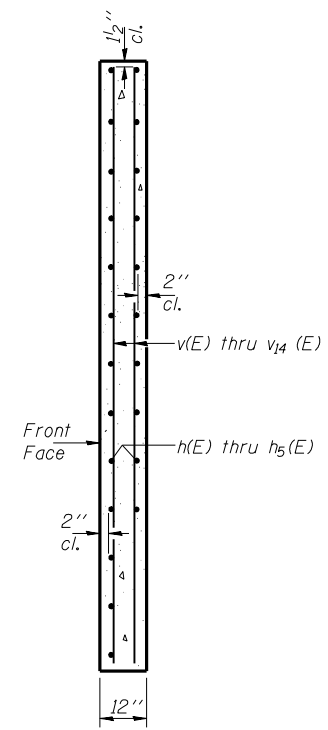
No Reinforcement to pass thru joint



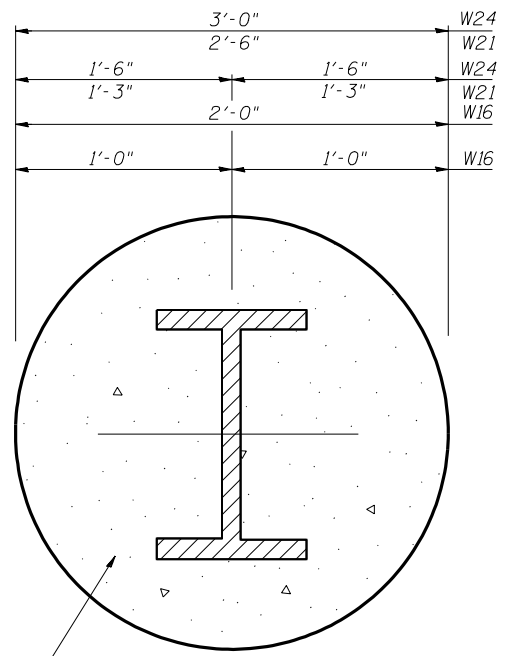
**SOLDIER PILE DETAIL**



**PLAN**



**SECTION THRU FACING**



**SECTION THRU SOLDIER PILE**

Class SI Concrete below bott. of wall facing  
CLSM above bottom of wall facing  
Cost included with "Drilling and Setting Soldier Piles"

Typical at Soldier Piles

\*\*2 per row as shown for W24 & W21 piles  
1 per row at center of pile for W16 piles.

5/4/2006  
#FILE/ABBREV#

ILLINOIS DEPARTMENT OF TRANSPORTATION			
SHEET TITLE RETAINING WALL DETAILS			
PROJECT FAP ROUTE 315 (IL 336/US 136) SECTION 34-5(5B) HANCOCK COUNTY STA. 1293+50.00(R) TO STA. 1297+00.00(R) STRUCTURE NUMBER 034-2521	PROJECT NO. 02076-R	SCALE 12/22/05	DRAWN BY TFG
COOMBE-BLOXDORF P.C. Engineers/Land Surveyors Springfield, Illinois Design Firm License No. 184-002708		CHECKED BY BD/MCB	DRAWING NO. 4
			OF 18 SHTS