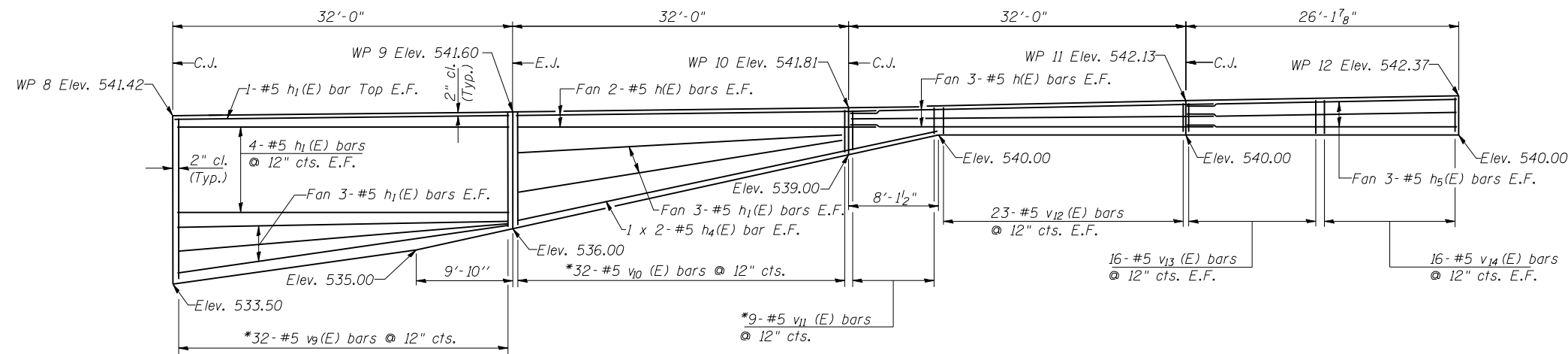
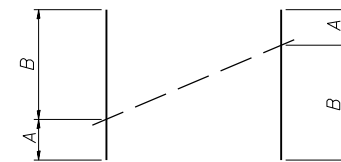


BILL OF MATERIAL

Bar	No.	Size	Length (ft)	Shape
h(E)	140	#5	33'-8"	=====
h ₁ (E)	90	#5	31'-8"	=====
h ₂ (E)	2	#5	32'-5"	=====
h ₃ (E)	10	#5	31'-2"	=====
h ₄ (E)	4	#5	20'-11"	=====
h ₅ (E)	6	#5	25'-9"	=====
v(E)	32	#5	10'-2"	=====
v ₁ (E)	32	#5	20'-2"	=====
v ₂ (E)	128	#5	10'-4"	=====
v ₃ (E)	128	#5	12'-2"	=====
v ₄ (E)	128	#5	10'-6"	=====
v ₅ (E)	64	#5	8'-2"	=====
v ₆ (E)	64	#5	6'-10"	=====
v ₇ (E)	64	#5	5'-7"	=====
v ₈ (E)	64	#5	5'-1"	=====
v ₉ (E)	32	#5	12'-10"	=====
v ₁₀ (E)	32	#5	7'-7"	=====
v ₁₁ (E)	9	#5	3'-11"	=====
v ₁₂ (E)	46	#5	1'-7"	=====
v ₁₃ (E)	32	#5	1'-9"	=====
v ₁₄ (E)	32	#5	1'-11"	=====
Concrete Structures			Cu. Yd.	129.0
Reinforcement Bars Epoxy Coated			Pound	16,580
Structure Excavation			Cu. Yd.	103
Rock Excavation for Structures			Cu. Yd.	18



ELEVATION



***FIELD CUTTING DIAGRAM**

Order bars full length. Cut as shown and use remainder in opposite face.

BAR	A (ft)	B (ft)
h ₃ (E)	4'-2"	27'-0"
v(E)	3'-8"	6'-6"
v ₁ (E)	6'-6"	13'-8"
v ₉ (E)	5'-3"	7'-7"
v ₁₀ (E)	2'-5"	5'-2"
v ₁₁ (E)	1'-7"	2'-4"

Work this sheet with sheet 7 of 18

ILLINOIS DEPARTMENT OF TRANSPORTATION		
SHEET TITLE STRUCTURE NUMBER 037-0069 STRUCTURE NUMBER 037-0069		
PROJECT FAP ROUTE 315 (IL 336/US 136) SECTION 34-5(5B) HANCOCK COUNTY STA. 1293+50.00(R) TO STA. 1297+00.00(R) STRUCTURE NUMBER 034-2521	PROJECT NO. 02076-R SCALE 9450 DATE 12/22/05 DRAWN BY TFG CHECKED BY BD/MCB DRAWING NO.	COOMBE-BLOXDORF P.C. Engineers / Land Surveyors Springfield, Illinois Design Firm License No. 184-002703
		18 OF 18 SHTS