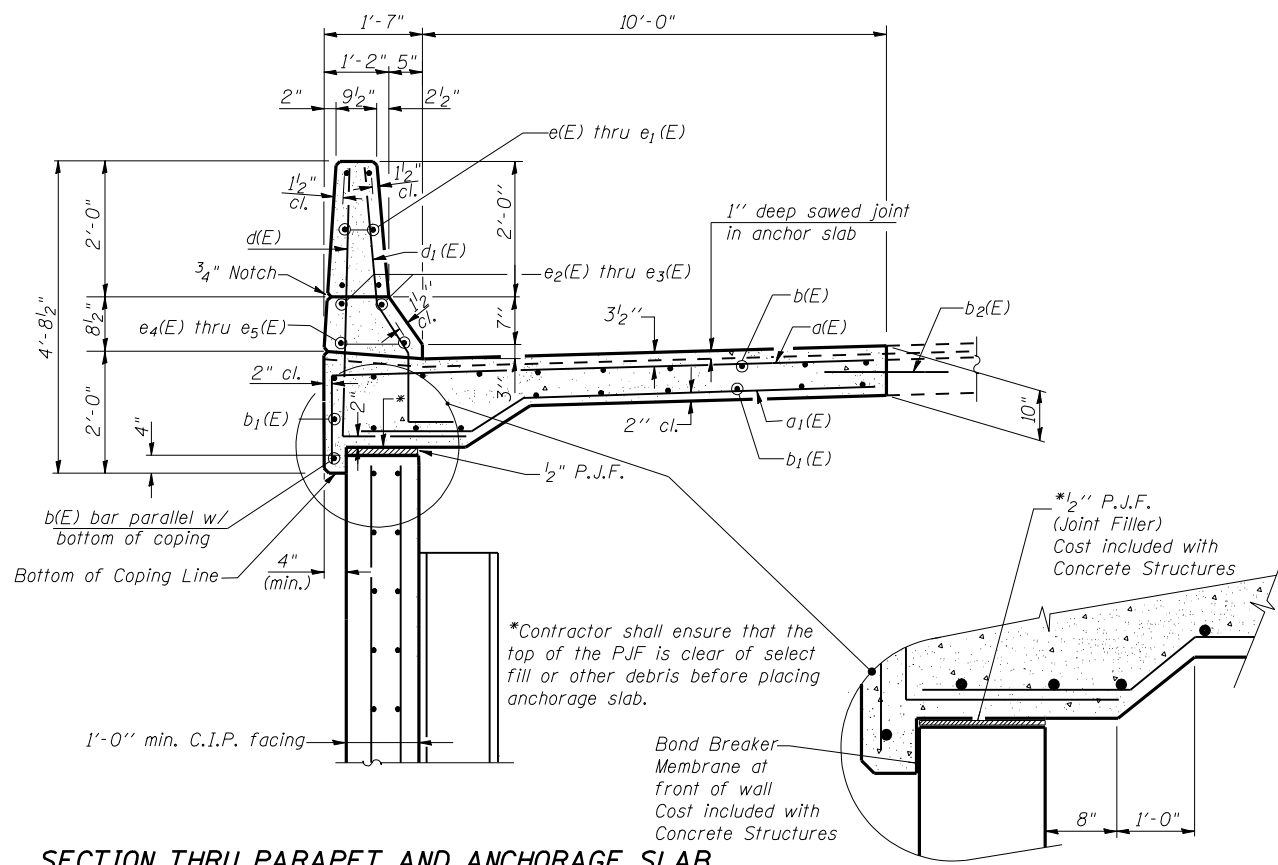


**PLAN**



**SECTION THRU PARAPET AND ANCHORAGE SLAB**

\* Radial measured along edge of pavement  
 \*\* Radial measured along outside face of parapet

Work this sheet with sheets 9 and 11 of 18.

ILLINOIS DEPARTMENT OF TRANSPORTATION	
SHEET TITLE STRUCTURE NUMBER 057-0069 PARAPET AND ANCHORAGE SLAB STRUCTURE NUMBER 057-0069	
PROJECT FAP ROUTE 315 (IL 336/US 136) SECTION 34-5(5B) HANCOCK COUNTY STA. 1293+50.00(R) TO STA. 1297+00.00(R) STRUCTURE NUMBER 034-2521	PROJECT NO. 02076-R SCALE 9450 DATE 12/22/05 DRAWN BY TFG CHECKED BY BD/MCB DRAWING NO. 10
<b>COOMBE-BLOXDORF P.C.</b> Engineers / Land Surveyors Springfield, Illinois Design Firm License No. 184-002703	
OF 18 SHTS	

5/4/2006  
#FILE/ABBREV#