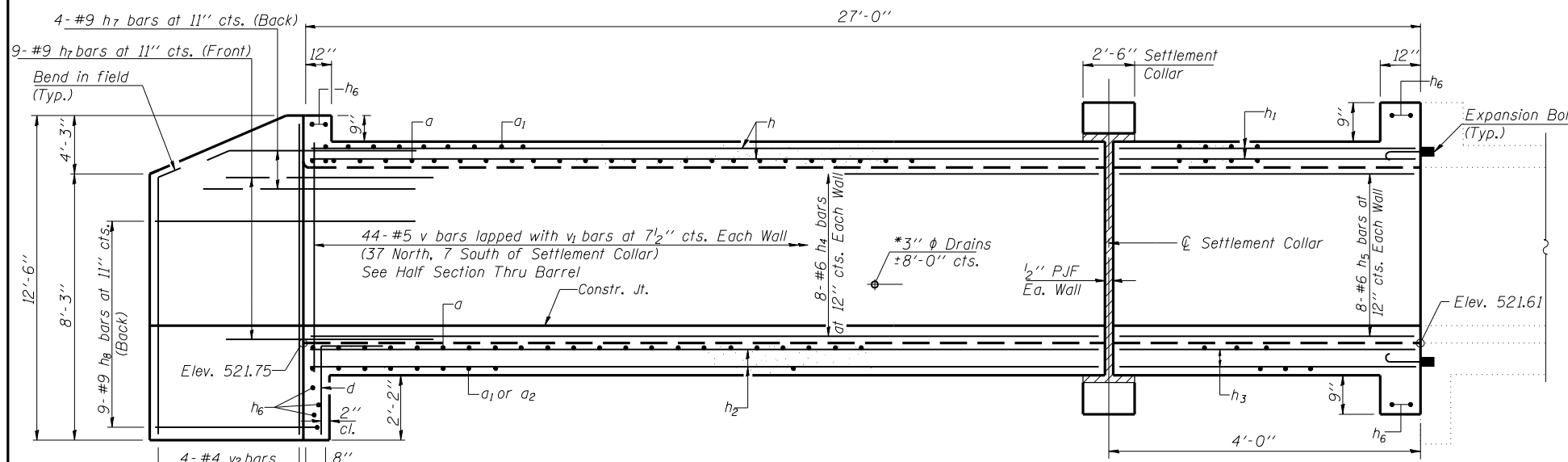


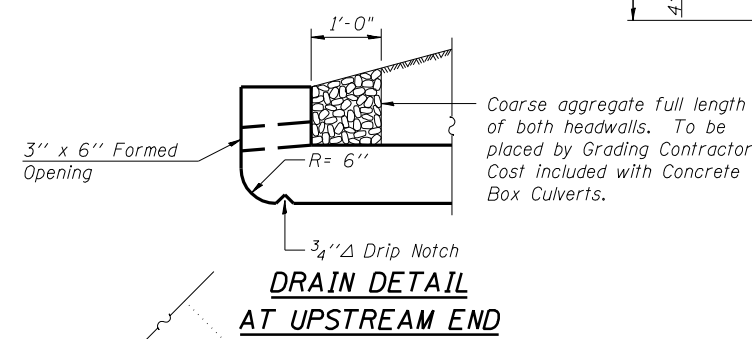
ROUTE NO.	SECTION	COUNTY	TOTAL SHEETS	SHEET NO.
FAP 315	34-5(5B)	HANCOCK	612	272
FED. ROAD DIST. NO. 7		ILLINOIS	FED. AID PROJECT	

SHEET NO. 2
7 SHEETS

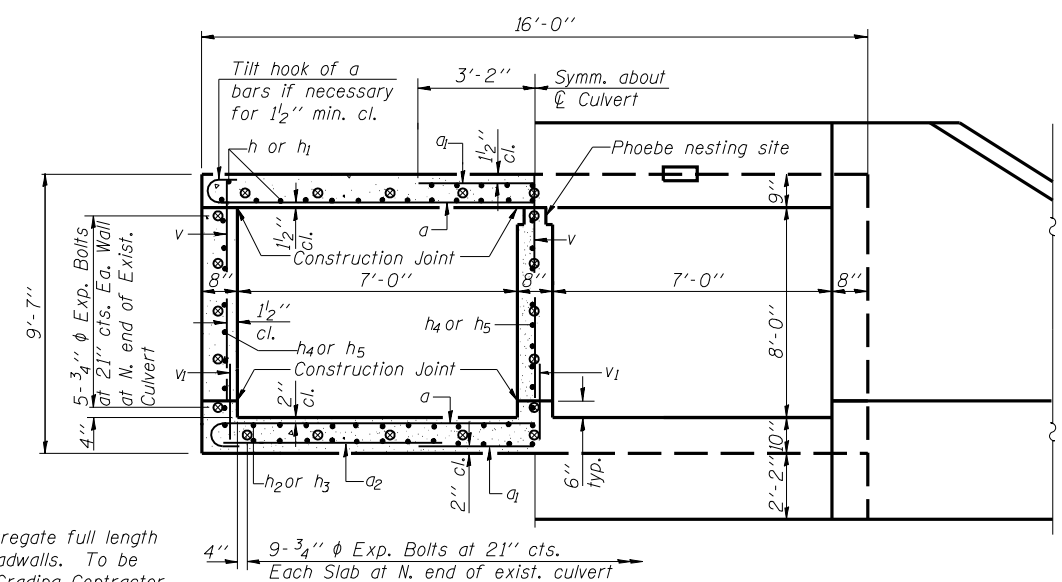
CONTRACT NO. 72682



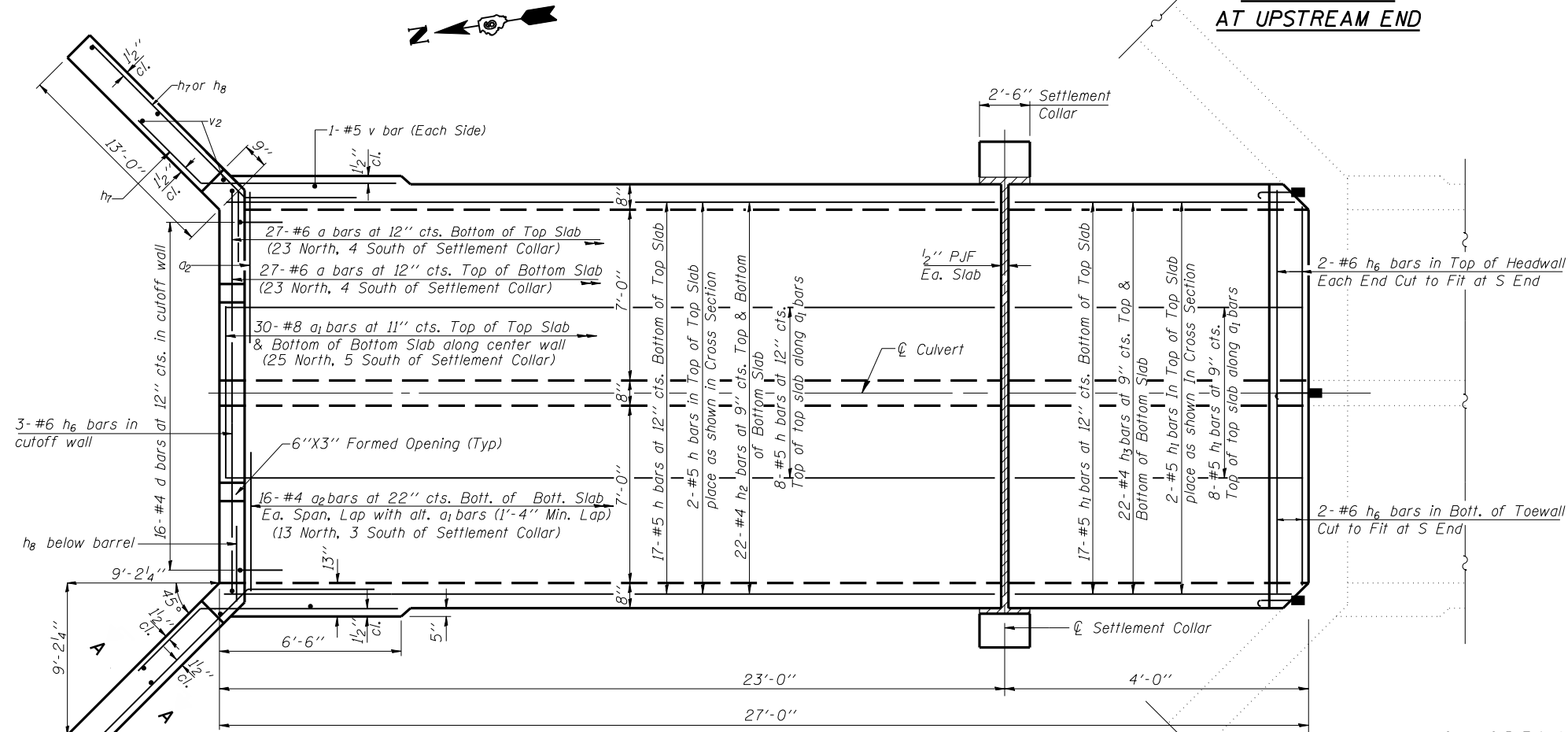
ELEVATION
North Extension



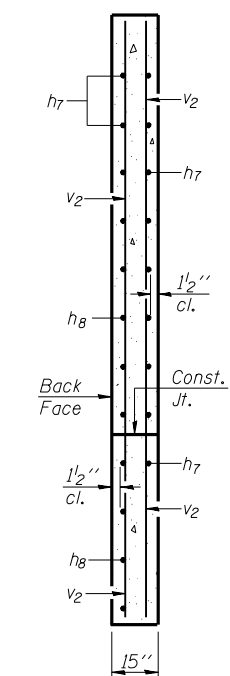
DRAIN DETAIL
AT UPSTREAM END



HALF SECTION THRU BARREL
HALF END ELEVATION
(North End)



PLAN
North Extension



SECTION A-A

BILL OF MATERIAL
NORTH EXTENSION

Bar	No.	Size	Length	Shape
a	54	#6	17'-0"	U
a1	60	#8	6'-4"	—
a2	32	#4	6'-0"	—
d	16	#4	4'-4"	L
h	27	#5	22'-8"	—
h1	27	#5	3'-8"	—
h2	44	#4	22'-8"	—
h3	44	#4	2'-8"	—
h4	24	#6	22'-8"	—
h5	24	#6	3'-8"	—
h6	9	#6	15'-8"	—
h7	26	#9	8'-0"	—
h8	18	#9	16'-0"	—
v	132	#5	7'-11"	—
v1	132	#4	3'-0"	—
v2	8	#4	10'-3"	—

Concrete Box Culverts	Cu. Yd.	57.2
Reinforcement Bars	Pound	8960
Expansion Bolts 3/4"	Each	33

NOTES

Cost of P.J.F. is included in Concrete Box Culverts.
See Sheet 6 of 7 for Bar Details and Settlement Collar Details.
North Extension is to be constructed in Stage 3.

ILLINOIS DEPARTMENT OF TRANSPORTATION

SHEET TITLE
CULVERT DETAILS-NORTH EXTENSION

PROJECT NO. 02076-3
DATE 03/09/06
DRAWN BY TFG
CHECKED BY CME/MCB
DESIGNED BY

IL. ROUTE 336 OVER TRIB TO LA MOINE RIVER
FAP ROUTE 315 SECTION 34-5(5B)
HANCOCK COUNTY
STATION 1289+79.56
STRUCTURE NUMBER 034-7002

COOMBE-BLOXDORF P.C.
Engineers/Land Surveyors
Springfield, Illinois
Design Firm License No. 184-002708

2
OF 7 SHTS

DATE = 5/1/2006
FILE NAME = 034-7002-apt-02-detailed-rw.dgn
PLOT SCALE = 0.0625" = 1'-0"
USER NAME = laughtlin