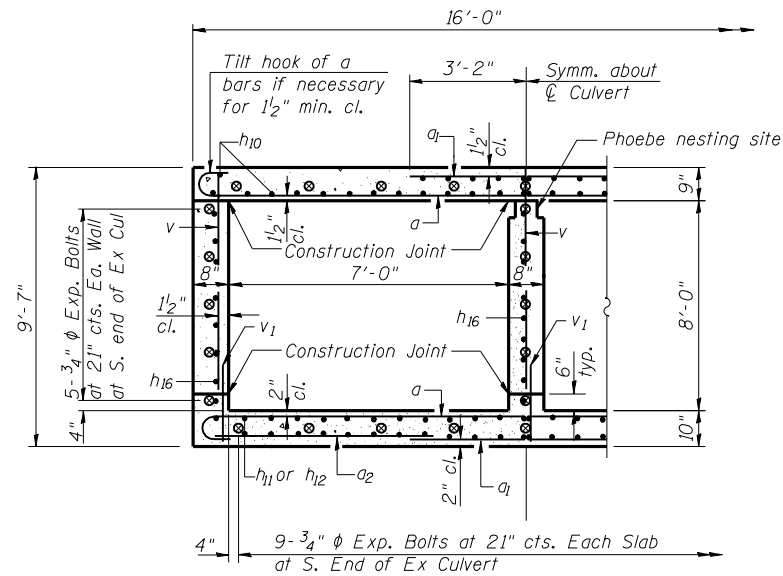


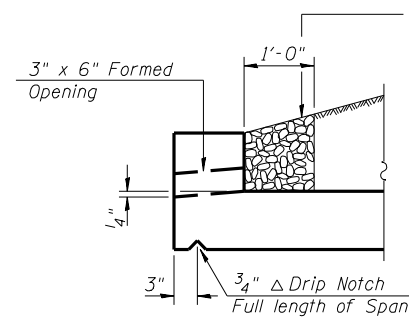
ROUTE NO.	SECTION	COUNTY	TOTAL SHEETS	SHEET NO.
FAP 315	34-5(5B)	HANCOCK	612	274
FED. ROAD DIST. NO. 7		ILLINOIS	FED. AID PROJECT-	

SHEET NO. 4  
7 SHEETS

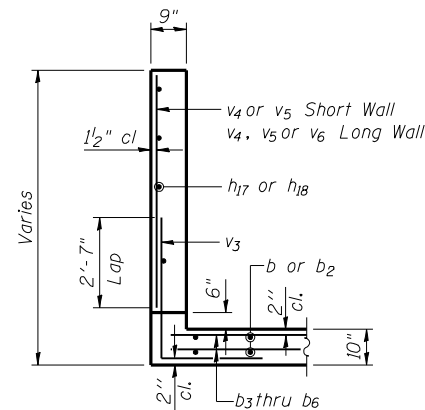
CONTRACT NO. 72682



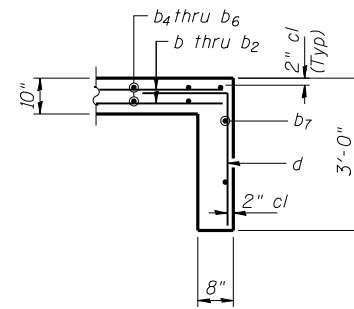
SECTION A-A



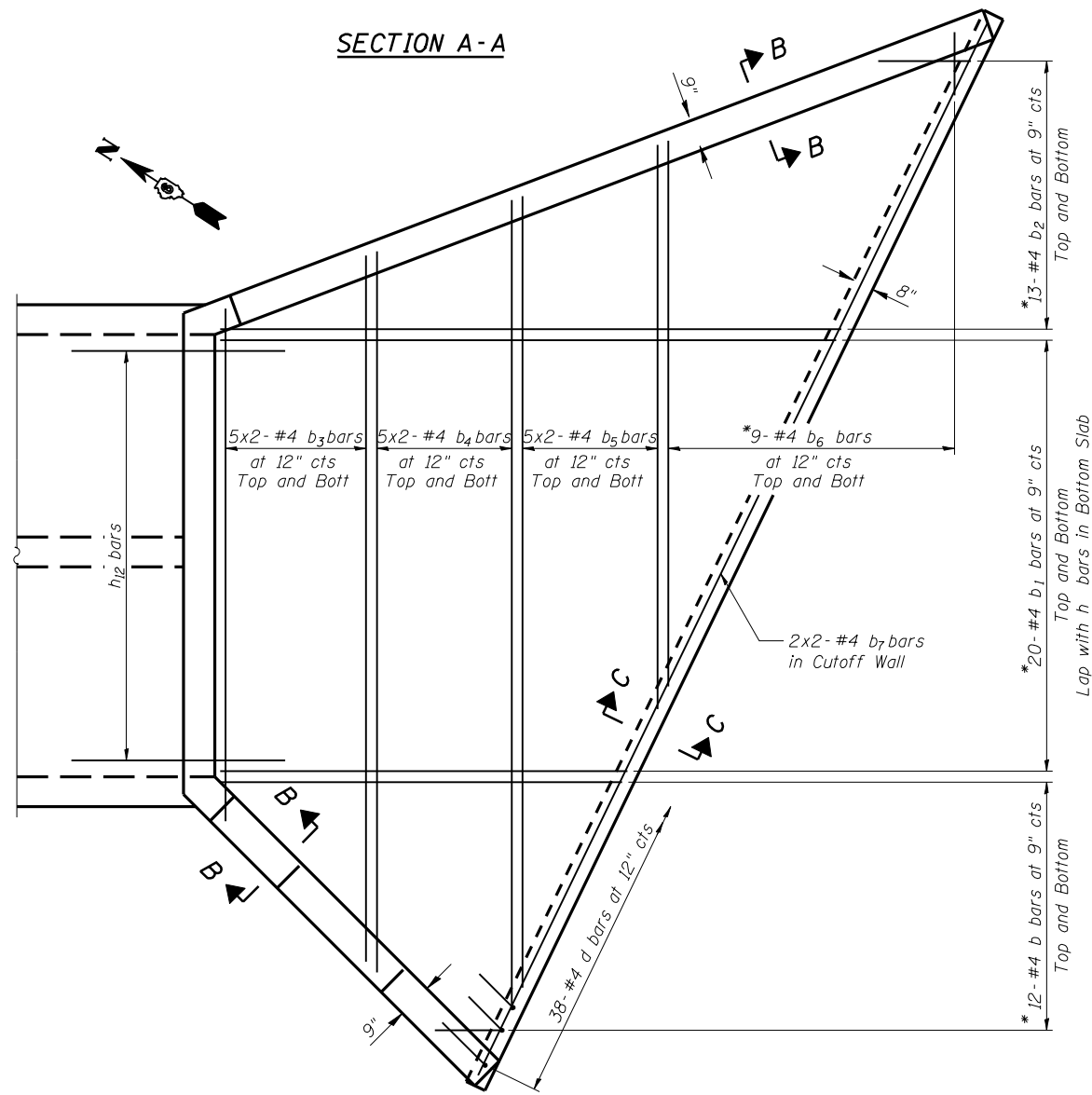
DRAIN DETAIL  
AT DOWNSTREAM END



SECTION B-B



SECTION C-C



PARTIAL PLAN AT APRON  
(Showing Apron and Cutoff Wall Reinforcement)

\* Order Full Length, Cut to Fit and  
Use Remainder in Opposite Face

BILL OF MATERIAL  
SOUTH EXTENSION

Bar	No.	Size	Length	Shape
a	164	#6	17'-0"	U
a1	210	#8	6'-4"	—
a2	105	#4	6'-0"	—
a3	52	#6	9'-6"	—
a4	24	#6	10'-0"	—
b	12	#4	14'-11"	—
b1	20	#4	33'-6"	—
b2	13	#4	22'-6"	—
b3	20	#4	11'-4"	—
b4	20	#4	13'-8"	—
b5	20	#4	13'-0"	—
b6	9	#4	9'-5"	—
b7	4	#4	19'-4"	—
b8	16	#4	3'-6"	—
d	54	#4	4'-4"	—
h6	9	#6	15'-8"	—
h10	92	#5	20'-11"	—
h11	88	#4	20'-9"	—
h12	88	#4	21'-6"	—
h13	8	#6	3'-10"	—
h14	8	#6	11'-8"	—
h15	8	#6	18'-8"	—
h16	96	#6	21'-0"	—
h17	10	#4	15'-5"	—
h18	10	#4	29'-2"	—
h20	44	#4	3'-0"	—
h21	44	#4	11'-4"	—
h22	27	#5	3'-8"	—
h23	4	#5	10'-10"	—
h24	17	#5	11'-4"	—
h25	2	#5	9'-1"	—
v	450	#5	7'-11"	—
v1	450	#5	3'-0"	—
v3	48	#6	6'-2"	—
v4	18	#6	8'-8"	—
v5	18	#6	5'-9"	—
v6	12	#6	7'-2"	—
Concrete Removal		Cu. Yd.	4.8	
Concrete Box Culverts		Cu. Yd.	167.3	
Reinforcement Bars		Pound	26,160	
Expansion Bolts 3/4"		Each	33	

NOTES:

Bars indicated thus, 2x4-#5 etc. indicates 2 lines of bars  
with 4 lengths per line.  
See Sheet 6 of 7 for Bar Details.

ILLINOIS DEPARTMENT OF TRANSPORTATION

SHEET TITLE		CULVERT DETAILS - SOUTH EXTENSION	
PROJECT	ILL. ROUTE 336 OVER TRIB TO LA MOINE RIVER	PROJECT NO.	02076-3
SECTION	FAP ROUTE 315 SECTION 34-5(5B)	DATE	03/09/06
COUNTY	HANCOCK COUNTY	DRAWN BY	TFG
STATION	1289+79.56	CHECKED BY	CME/MCB
STRUCTURE NUMBER	034-7002	DRAWING NO.	
COOMBE-BLOXDORF P.C.			4
Engineers/Land Surveyors Springfield, Illinois			OF 7 SHTS
Design Firm License No. 184-002708			

PLOT DATE = 5/1/2006  
FILE NAME = 034-7002-apt-04-details-s-ax1.dgn  
PLOT SCALE = 0.250000 1" = 10'  
USER NAME = laughtonr1