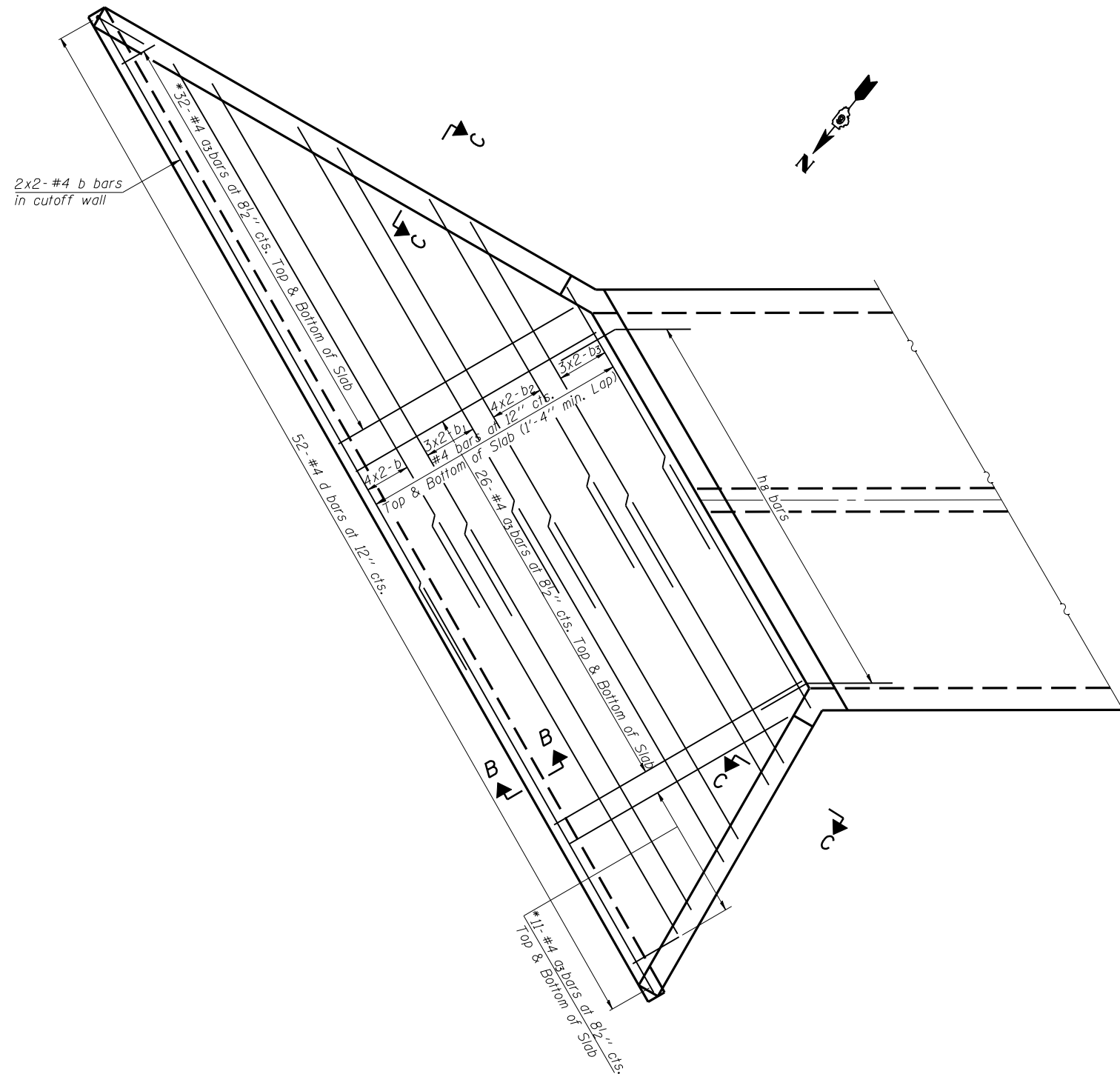


ROUTE NO.	SECTION	COUNTY	TOTAL SHEETS	SHEET NO.
FAP 315	34-5(5B)	HANCOCK	612	280
FED. ROAD DIST. NO. 7		ILLINOIS	FED. AID PROJECT	

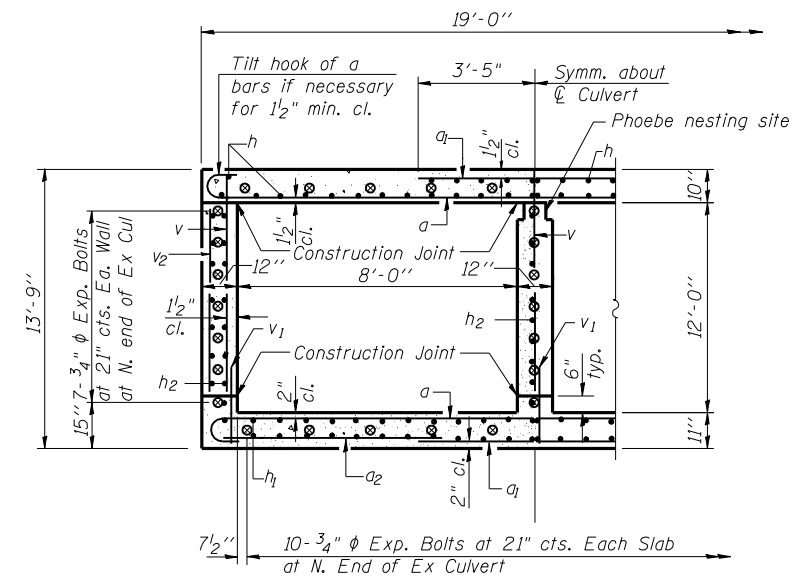
SHEET NO. 3
8 SHEETS

CONTRACT NO. 72682

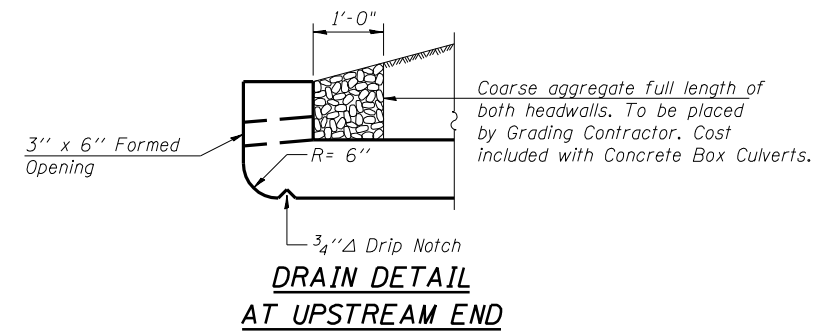
*a₃ bars shall be ordered full length and cut to fit. Balance of bar to be used in opposite face of slab.



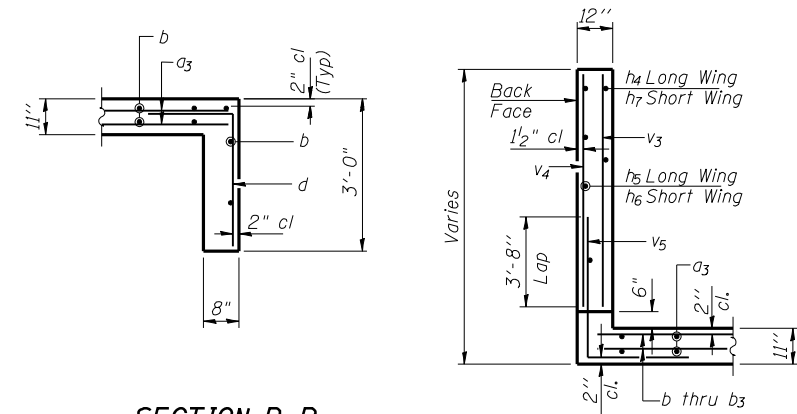
PARTIAL PLAN AT NORTH APRON
(Showing apron and cutoff wall reinforcement)



SECTION A-A



DRAIN DETAIL AT UPSTREAM END



SECTION B-B

SECTION C-C

BILL OF MATERIAL NORTH EXTENSION

Bar	No.	Size	Length	Shape
a	120	#5	19'-2"	U
a ₁	126	#8	6'-10"	—
a ₂	58	#4	7'-3"	—
a ₃	95	#4	12'-11"	—
b	20	#4	26'-6"	—
b ₁	12	#4	21'-11"	—
b ₂	16	#4	18'-6"	—
b ₃	12	#4	13'-10"	—
d	74	#4	4'-4"	L
h	33	#5	39'-4"	—
h ₁	52	#4	39'-4"	—
h ₂	60	#8	39'-4"	—
h ₃	15	#6	20'-2"	—
h ₄	14	#4	26'-6"	—
h ₅	7	#4	29'-10"	—
h ₆	7	#4	18'-0"	—
h ₇	14	#4	15'-2"	—
h ₈	52	#4	3'-4"	—
s	20	#4	4'-6"	□
s ₁	40	#4	4'-8"	□
v	220	#6	11'-11"	—
v ₁	220	#6	2'-6"	—
v ₂	42	#5	11'-2"	—
v ₃	6	#4	19'-3"	—
v ₄	32	#8	19'-3"	—
v ₅	65	#8	8'-9"	—
Concrete Box Culverts			Cu. Yd.	142.3
Reinforcement Bars			Pound	25,740
3/4" φ Expansion Bolts			Each	41

MIN. BAR LAPS

#4 = 1'-4"

ILLINOIS DEPARTMENT OF TRANSPORTATION	
SHEET TITLE CULVERT DETAILS-N. EXTENSION	
PROJECT IL. RTE. 336 OVER TRIB TO LA MOINE RIVER	PROJECT NO. 02076-4
FAP ROUTE 315 SECTION 34-5 (5B)	SCALE AS SHOWN
HANCOCK COUNTY	DATE 03/20/06
STATION 1318+53.88	DRAWN BY TFG
STRUCTURE NUMBER 034-7001	CHECKED BY CME/MCB
COOMBE-BLOXDORF P.C. Engineers/Land Surveyors Springfield, Illinois	3
Design Firm License No. 184-002708	OF 8 SHTS

PLT DATE = 5/1/2006
FILE NAME = 034-7001-03-cul-ext.dgn
PLOT SCALE = 0.250000
USER NAME = laughtonr1