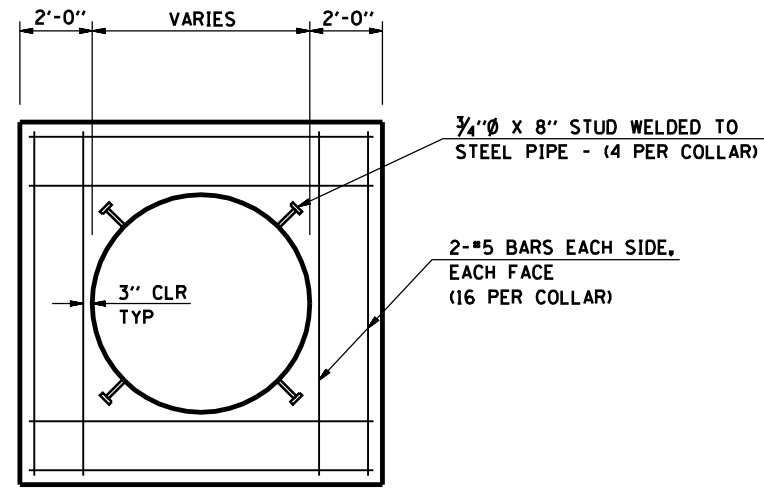
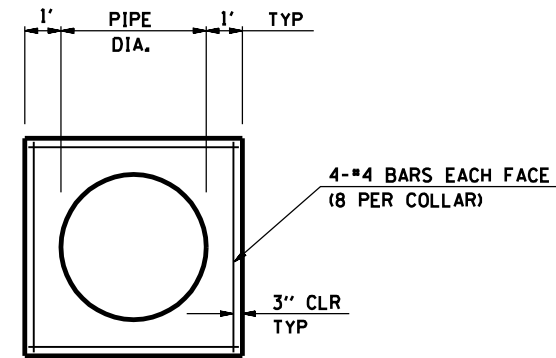


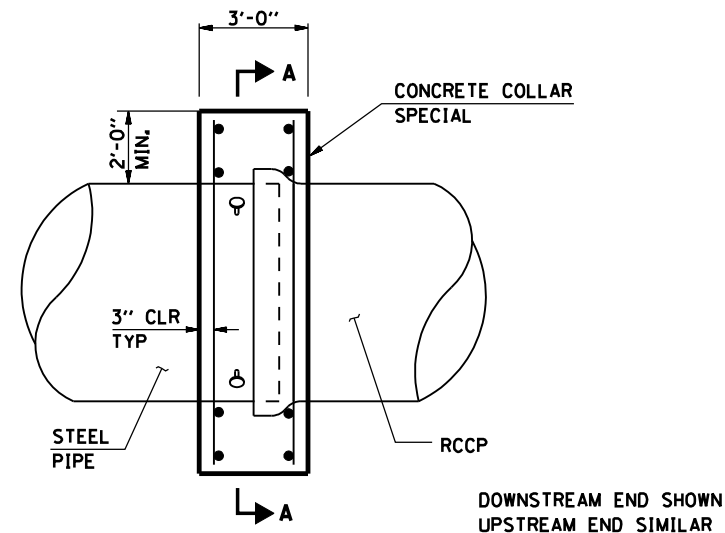
F.A.P. RTE.	SECTION	COUNTY	TOTAL SHEETS	SHEET No.
315	34-5	HANCOCK	612	289
STA.		TO STA.		
FED. ROAD DIST. No.	ILLINOIS	FED. AID PROJECT		



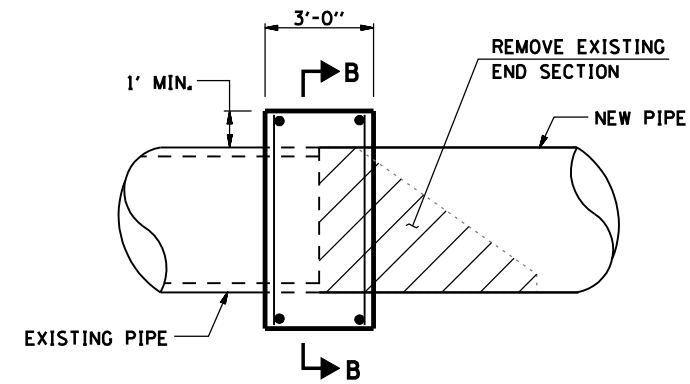
VIEW A-A



VIEW B-B



CONCRETE COLLAR, SPECIAL



CONCRET COLLAR

REVISIONS	
NAME	DATE

ILLINOIS DEPARTMENT OF TRANSPORTATION

**CONCRETE COLLAR
DETAILS**

SCALE:
DATE: MARCH 10, 2006

DRAWN BY: THW
CHECKED BY: JAC