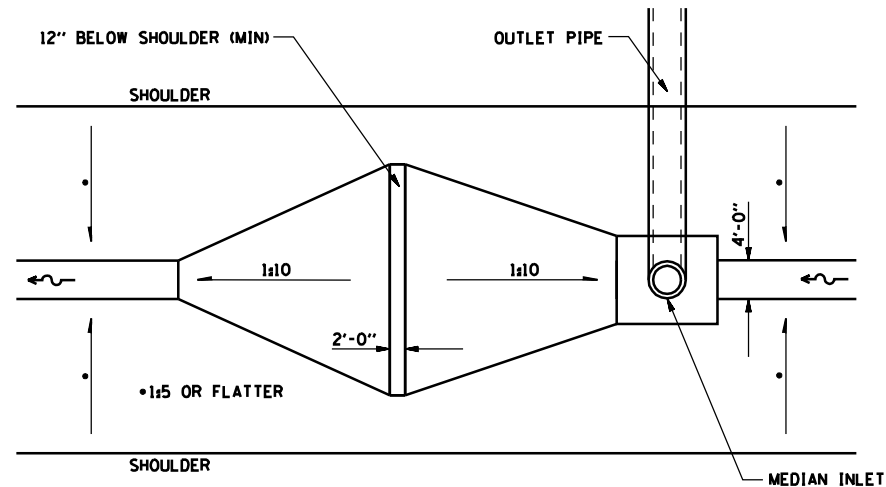
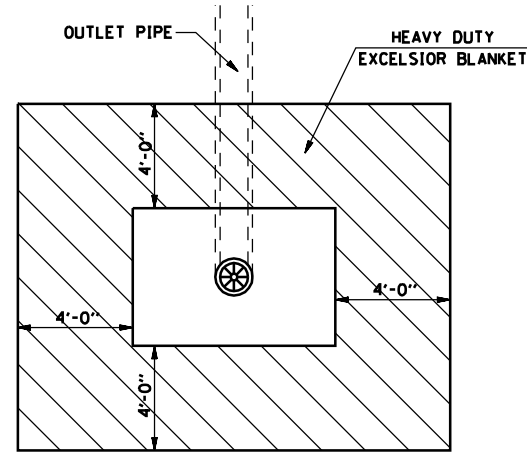


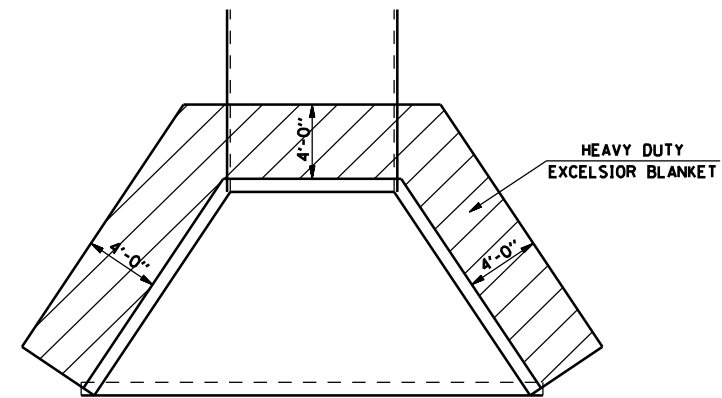
F.A.P. RTE.	SECTION	COUNTY	TOTAL SHEETS	SHEET No.
315	34-5	HANCOCK	612	295
STA.		TO STA.		
FED. ROAD DIST. No.	ILLINOIS	FED. AID PROJECT		



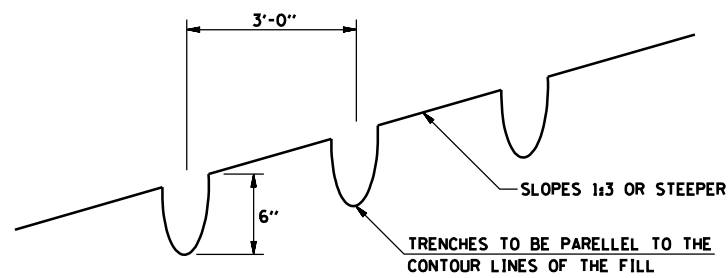
EARTH DITCH CHECK @ MEDIAN INLET



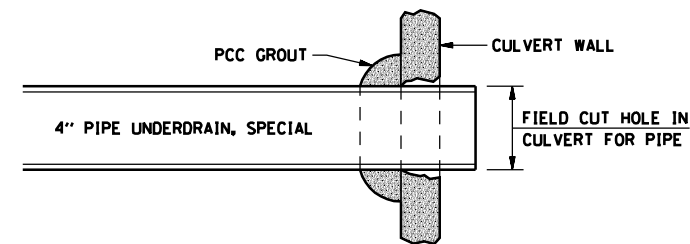
HEAVY DUTY EXCELSIOR BLANKET AROUND MEDIAN INLETS STD 604101 & STD 604106



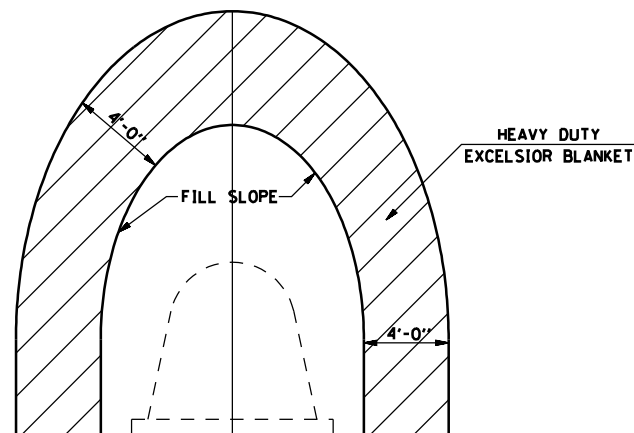
HEAVY DUTY EXCELSIOR BLANKET AROUND HEADWALLS & CULVERT WINGWALLS



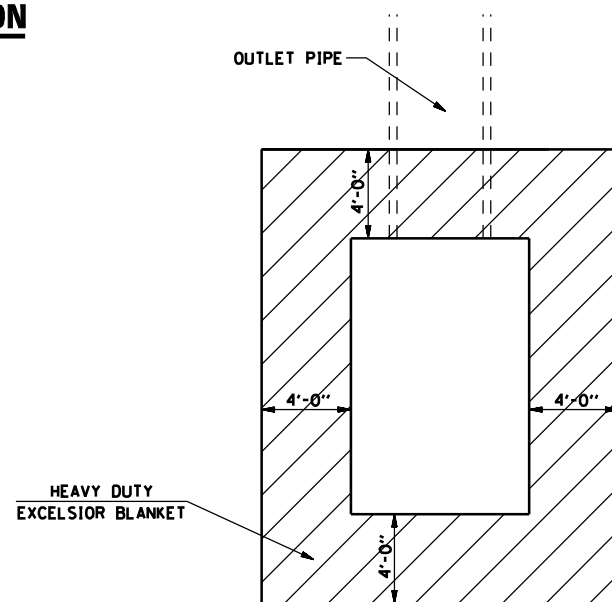
DETAIL - SEED BED PREPARATION



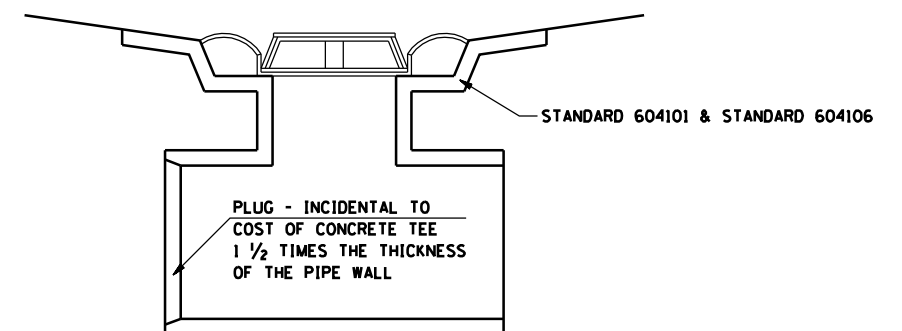
DETAIL FOR PLACING PIPE INTO CULVERT
USE ALSO FOR PLACING PIPE INTO PIPE OR PIPE TEE



HEAVY DUTY EXCELSIOR BLANKET AROUND FLARED END SECTION STD 542301



HEAVY DUTY EXCELSIOR BLANKET AROUND HEADWALL FOR PIPE UNDERDRAIN STD 601101



DETAIL - CONCRETE PIPE TEE STANDARD 542606

REVISIONS	
NAME	DATE

ILLINOIS DEPARTMENT OF TRANSPORTATION
SPECIAL DETAILS
HEAVY DUTY EXCELSIOR BLANKET AND EARTH DITCH CHECK

SCALE: DATE: MARCH 10, 2006
DRAWN BY: RG
CHECKED BY: JAC