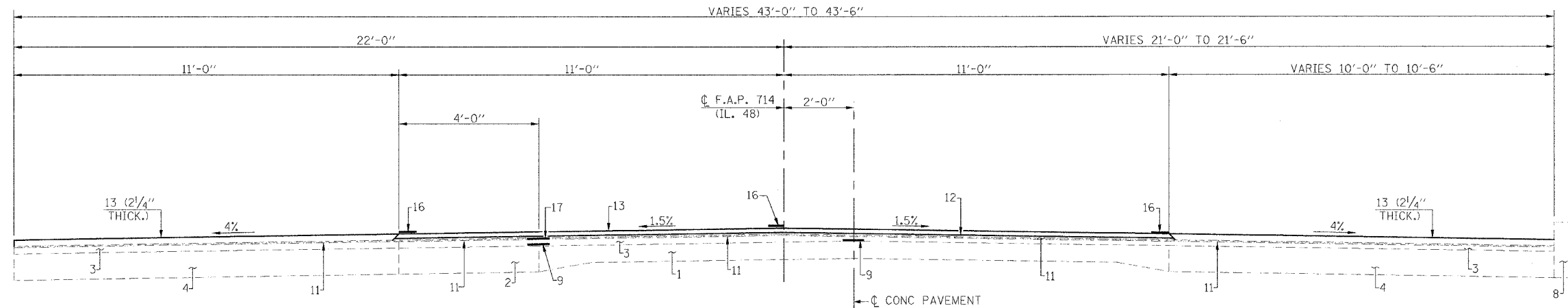
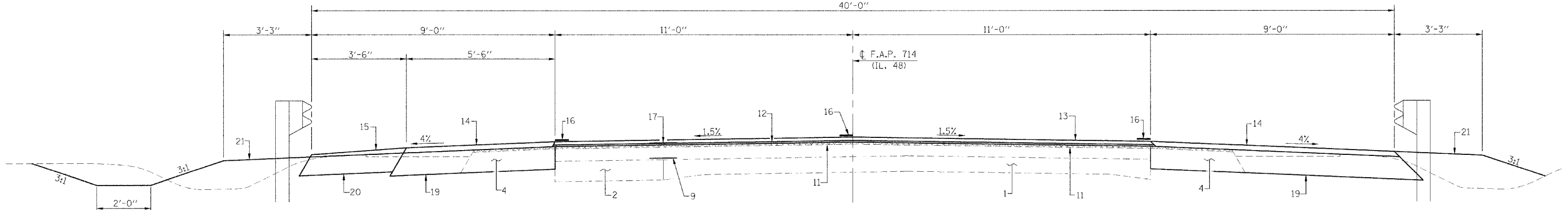


F.A.P. RTE.	SECTION	COUNTY	TOTAL SHEETS	SHEET NO.
714		CHRISTIAN	94	9
STA. 64+00 TO STA. 206+40				
FED. ROAD DIST. NO. ILLINOIS FED. AID PROJECT				
* D-6 IL. 48 IMPROVEMENT 2006				



TYPICAL SECTION #7
STA. 418+11 TO STA. 429+82



PROPOSED TYPICAL SECTION #8

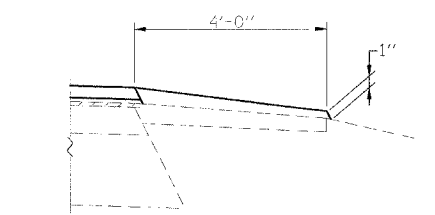
STA. 0+06.0 TO STA. 2+57
STA. 3+47 TO STA. 5+96.0
STA. 108+00.4 TO STA. 110+70
STA. 111+26 TO STA. 113+96.6

PAVEMENT LEGEND

1. EXISTING 9"-7"-9" P.C.C. PAVEMENT
- 1A. EXISTING 9" P.C.C. BASE COURSE
2. EXISTING P.C.C. WIDENING
3. EXISTING BITUMINOUS CONCRETE OVERLAY
4. EXISTING BITUMINOUS SHOULDER 8"
- 4A. EXISTING BITUMINOUS SHOULDER 10"
5. EXISTING AGGREGATE SHOULDER WEDGE
- 5A. EXISTING AGGREGATE SHOULDER 6"
6. EXISTING BITUMINOUS CONCRETE PAVEMENT, 1 1/4"
7. EXISTING AGGREGATE SHOULDER 8"
8. EXISTING CONCRETE CURB
9. EXISTING STRIP REFLECTIVE CRACK CONTROL TREATMENT
10. EXISTING EARTH SHOULDER
11. PROPOSED BITUMINOUS SURFACE REMOVAL (VARIABLE DEPTH)
12. PROPOSED LEVELING BINDER (MACHINE METHOD) SUPERPAVE, N50 3/4"
13. PROPOSED BITUMINOUS CONCRETE SURFACE COURSE SUPERPAVE, MIX. "C", N50 (1 1/2")
14. PROPOSED BITUMINOUS SHOULDER, SUPERPAVE (2 1/4")
15. PROPOSED AGGREGATE SHOULDER (SEE DETAIL)
16. PROPOSED PAINT PAVEMENT MARKING - LINE 5" (STRIPE FOR 11'-0" LANE WIDTH)
17. PROPOSED STRIP REFLECTIVE CRACK CONTROL TREATMENT
18. PROPOSED BITUMINOUS BASE COURSE SUPERPAVE 1 1/2"
19. PROPOSED BITUMINOUS BASE COURSE SUPERPAVE 10"
20. PROPOSED AGGREGATE SHOULDER 6"
21. PROPOSED EARTH SHOULDER
22. PROPOSED SUB-BASE GRANULAR MATERIAL TYPE A 4"
23. GEOTECHNICAL FABRIC AND GRANULAR BACKFILL
24. EXISTING OIL & CHIP OVERLAY
25. EXISTING AGGREGATE BASE
26. PROPOSED AGGREGATE BASE COURSE TYPE A 13"
27. EXISTING AGGREGATE SHOULDER
28. TEMPORARY PAVEMENT MARKING - LINE 5"

EXIST. BIT. OVERLAY THICKNESS

STA 64+00 TO STA 392+00	6"
STA 407+00 TO STA 418+76	2 1/2"
STA 418+76 TO STA 430+00	1 1/2"
STA 430+00 TO STA 2+53	1 1/2"
STA 2+53 TO STA 40+80	1 1/2"
STA 40+80 TO STA 54+00	1 1/2"
STA 54+00 TO STA 111+00	1 1/2"
STA 111+00 TO STA 133+00	1 1/2"
STA 133+00 TO STA 143+00	1 1/2"
STA 143+00 TO STA 148+50	1 1/2"
STA 148+50 TO STA 206+40	2 1/2"



PROP. AGGREGATE SHOULDER DETAIL

DETAILS AND
TYPICAL ROADWAY SECTIONS
F.A.P. ROUTE 714 - IL. ROUTE 48
SECTION D-6 IL. 48 IMPROVEMENT 2006
CHRISTIAN COUNTY