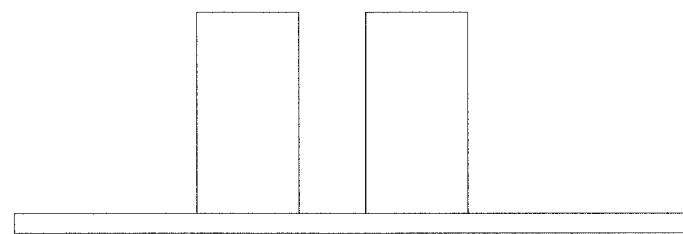


F.A.P. RTE.	SECTION	COUNTY	TOTAL SHEETS	SHEET NO.
714	*	CHRISTIAN	94	24
STA. 64+00 TO STA. 206+40				
FED. ROAD DIST. NO. ILLINOIS FED. AID PROJECT				
* D-6 IL. 48 IMPROVEMENT 2006				

DETECTOR AMPLIFIER NOTES

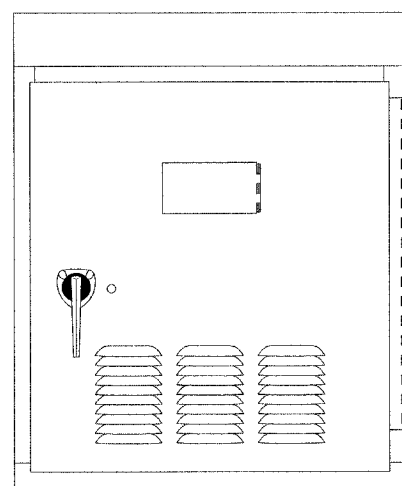


AMP 1 (NEAR LOOPS) AMP 2 (FAR LOOP)

AMP 1: DELAY = 8 SECONDS
DELAY SHALL BE INHIBITED DURING GREEN

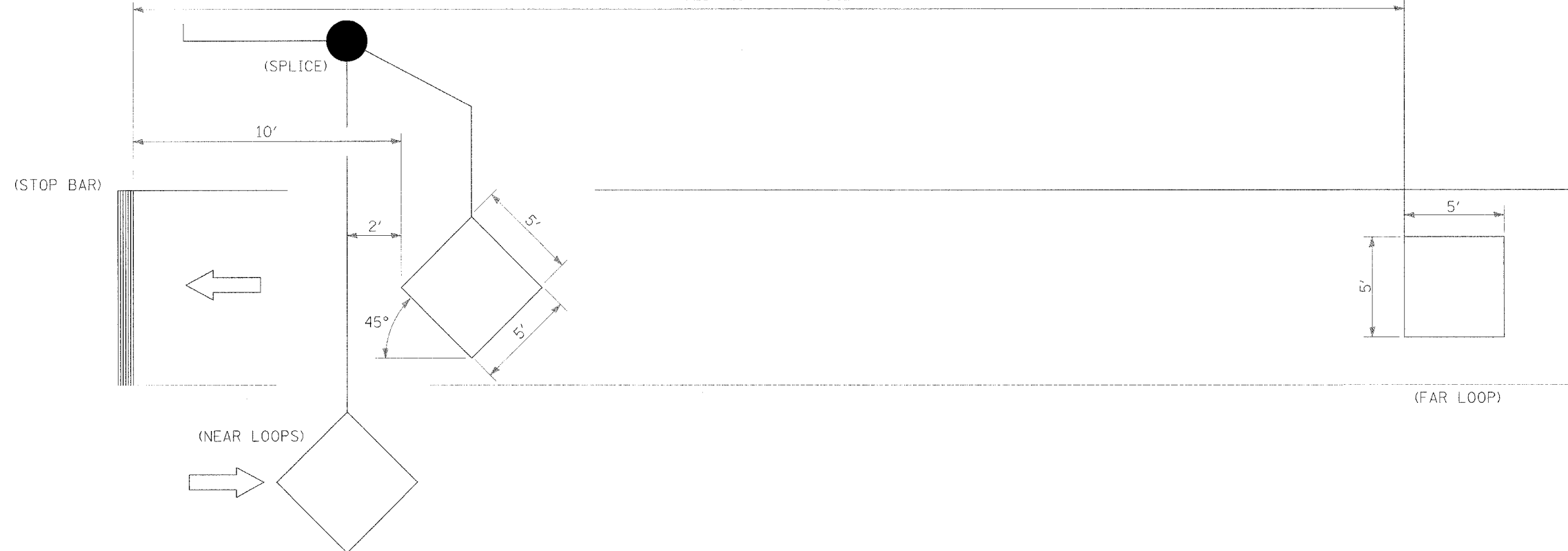
AMP 2: NO DELAY

FAR LOOP DISTANCE TABLE	
ADVISORY SPEED (MPH)	DISTANCE FROM STOP BAR (FT.)
30 OR LESS	220
35	260
40	300
45	330
50	370
55	400



TEMPORARY CONTROLLER CABINET

(SEE DISTANCE TABLE)



NOTE: ALL LOOPS CENTERED IN LANE.
WORK THIS SHEET WITH STAGE CONSTRUCTION
TRAFFIC DETAIL SHEET NOS. 30, 31, 52, 53, 69
& 70.

INDUCTION LOOP DETECTOR

TEMPORARY BRIDGE TRAFFIC SIGNAL
LOOP PLACEMENT DETAILS
E.A.P. ROUTE 714 - IL. ROUTE 48
SECTION D-6 IL. 48 IMPROVEMENT 2006
CHRISTIAN COUNTY