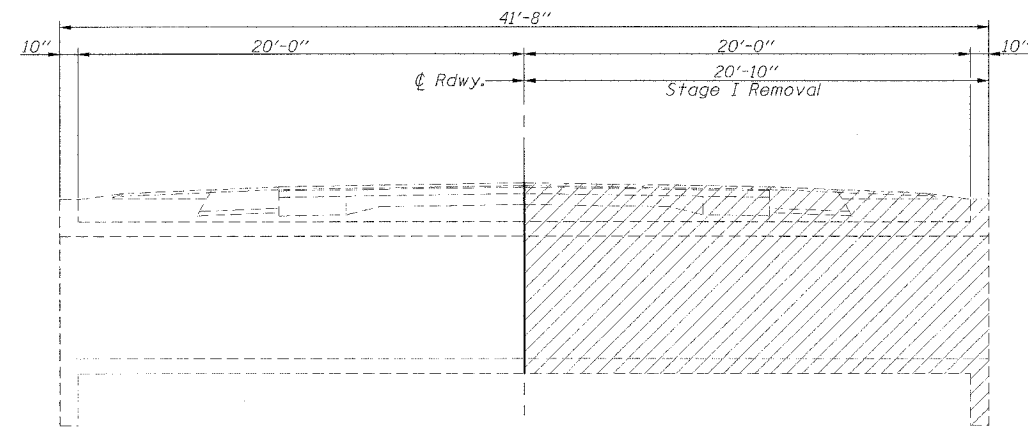
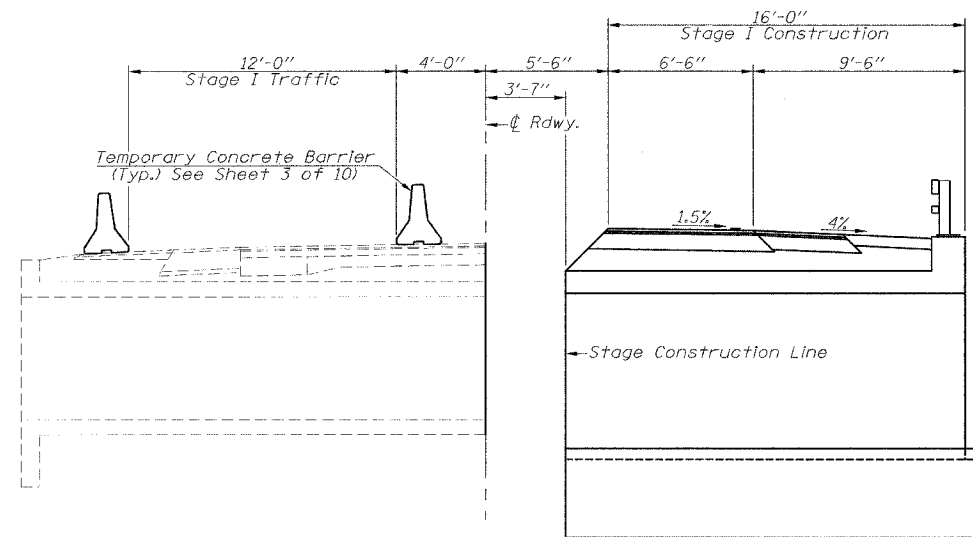


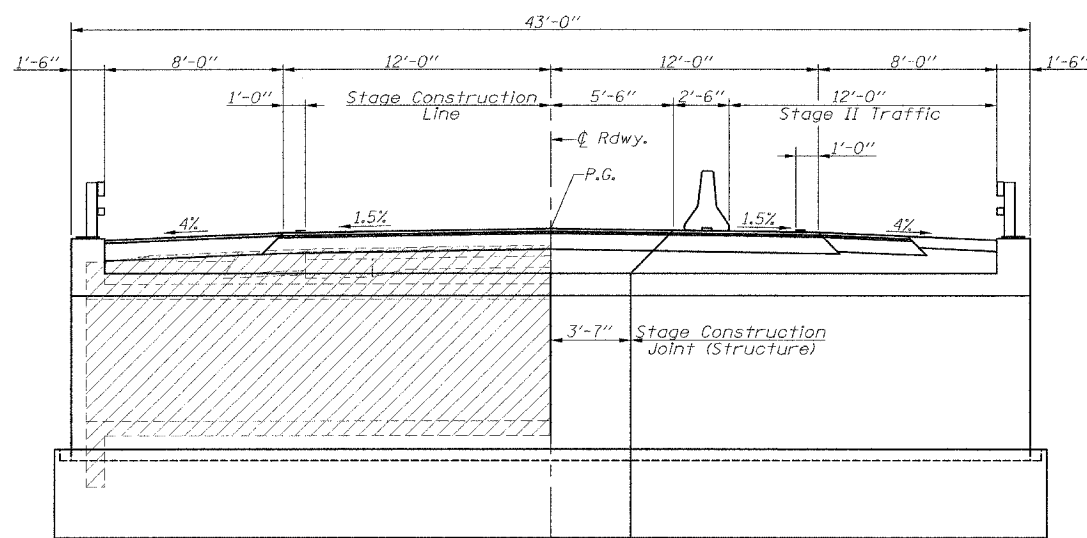
ROUTE NO.	SECTION	COUNTY	TOTAL SHEETS	SHEET NO.
F.A.P. 714	*	CHRISTIAN	94	39
FED. ROAD DIST. NO.	ILLINOIS	FED. AID PROJECT		
* D-6 IL. 48 IMPROVEMENT 2006				



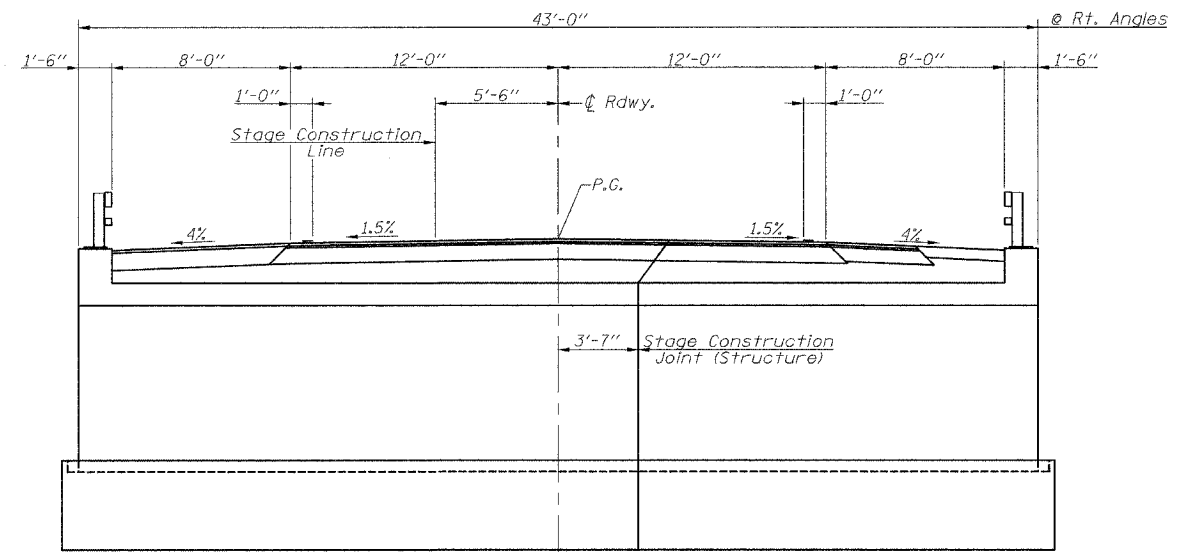
**STAGE I REMOVAL**  
(Looking North)



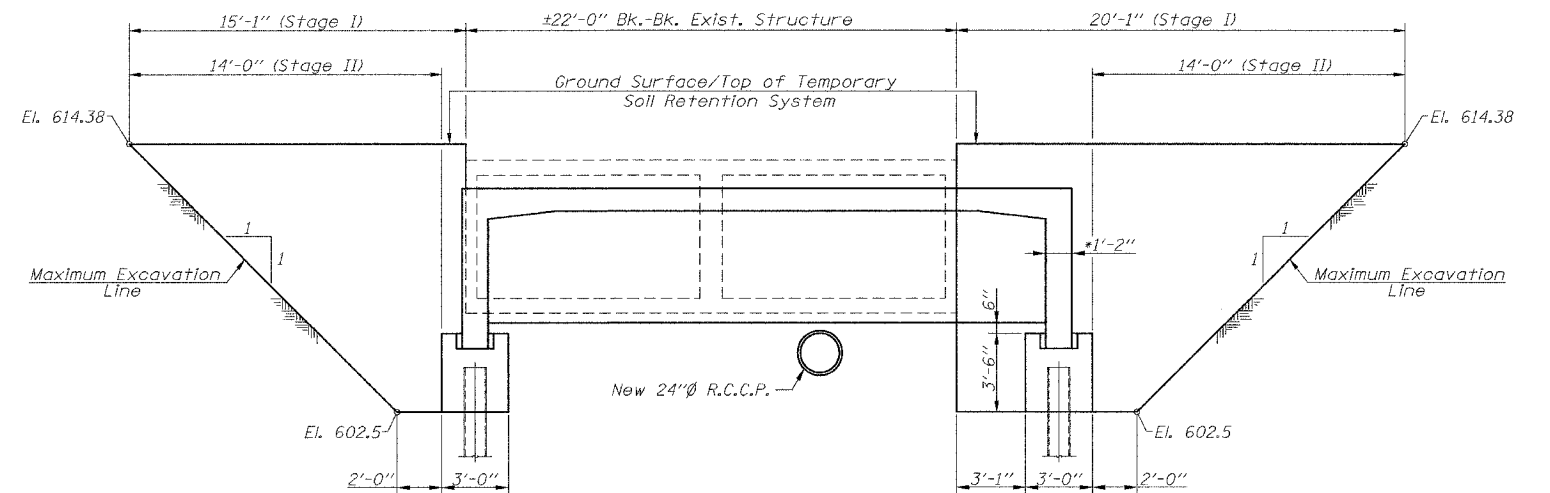
**STAGE I TRAFFIC & CONSTRUCTION**  
(Looking North)



**STAGE II TRAFFIC & CONSTRUCTION**  
(Looking North)



**LONGITUDINAL SECTION**  
(Looking North)



**TEMPORARY SOIL RETENTION SYSTEM**

Notes: A cantilevered sheet piling system does not appear feasible and additional members or other retention systems may be necessary. The contractor shall submit a temporary soil retention system design including plan details and calculations for review and acceptance by the Engineer.

Hatched area indicates "Removal of Existing Structures".

See roadway plans for quantity of Temporary Concrete Barrier.

**STAGING AND DETAILS**  
**IL. ROUTE 48 OVER BUCKHART CREEK**  
**F.A.P. ROUTE 714 - SECTION**  
**D-6 IL. 48 IMPROVEMENT 2006**  
**CHRISTIAN COUNTY**  
**STA. 401+35.5**  
**S.N. 011-2507**

FILE NAME: 1246-1 STRUCTURE REV. 3/27/06