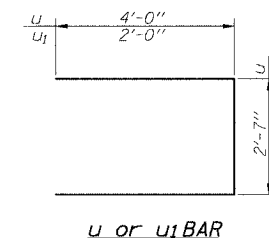
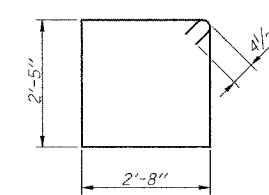
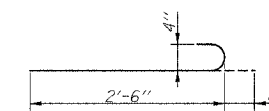
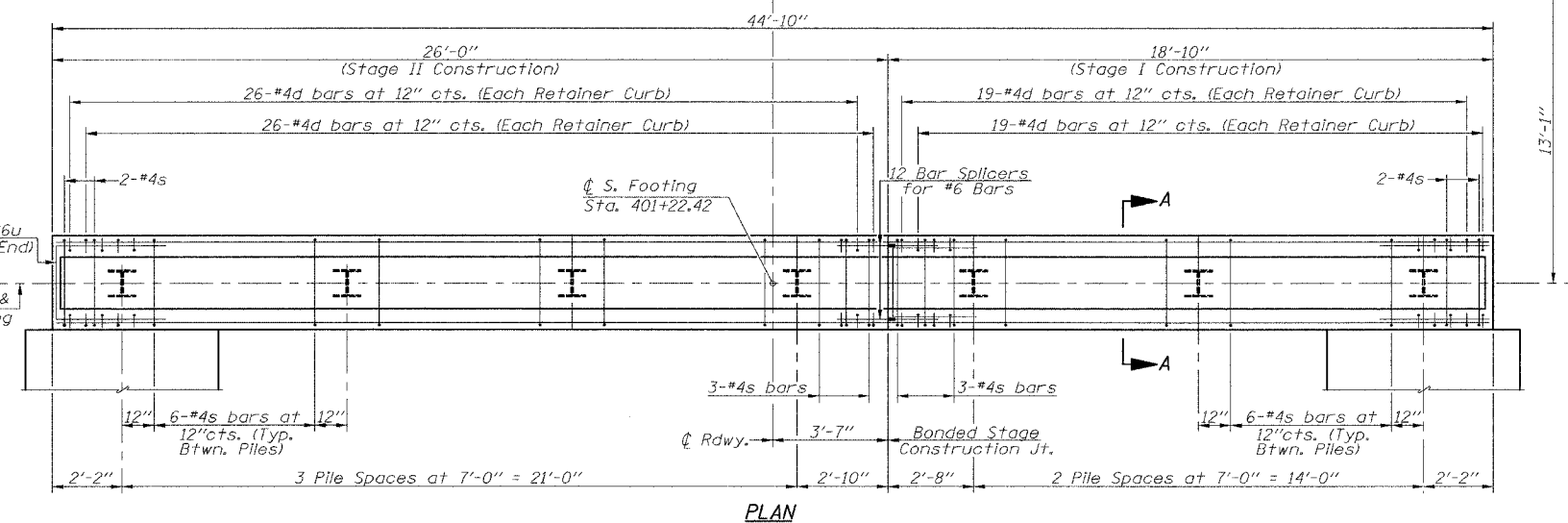
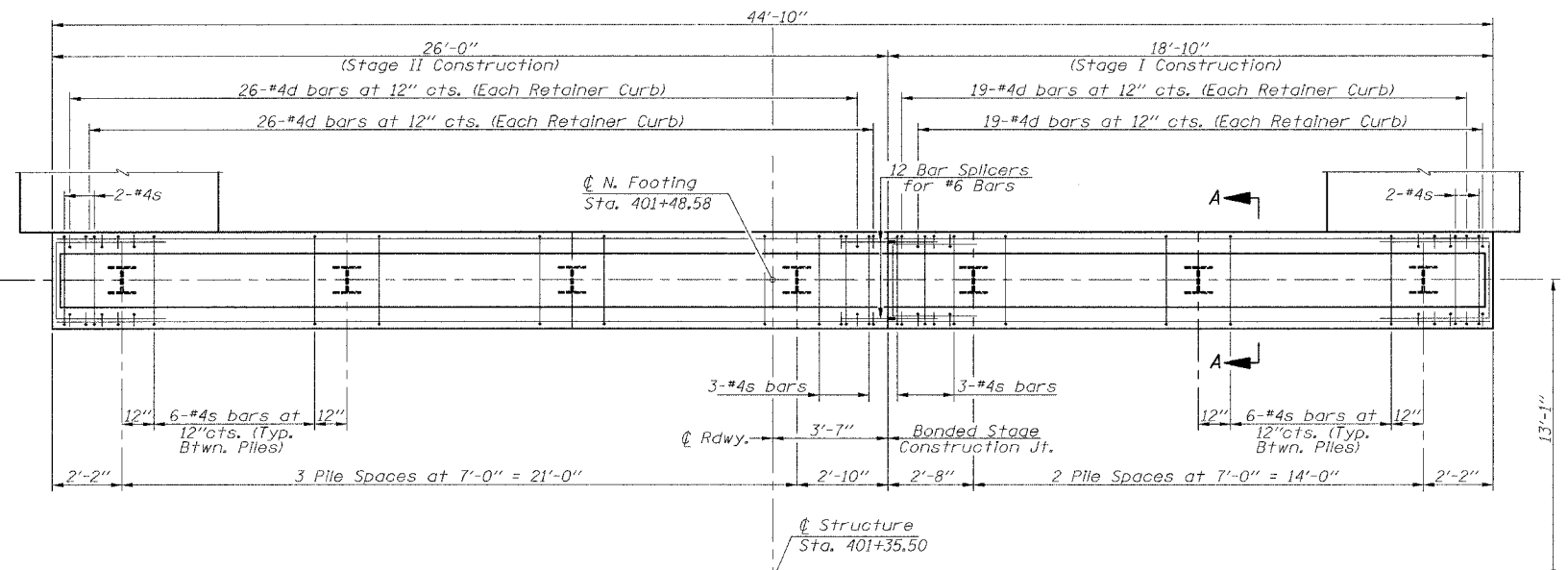
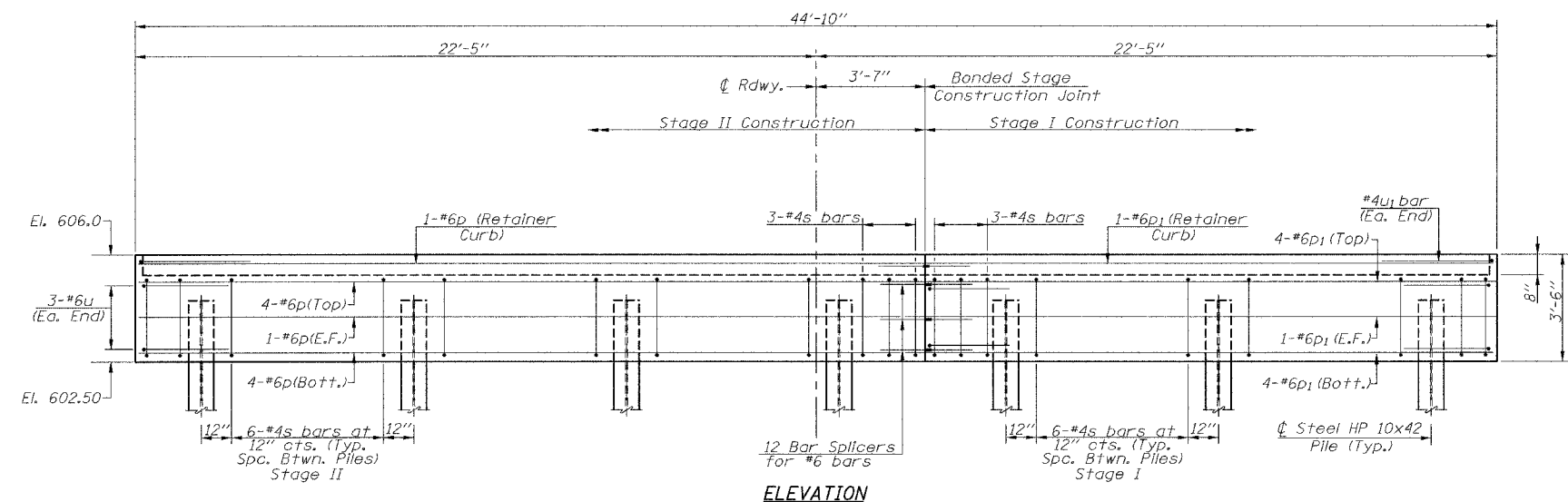


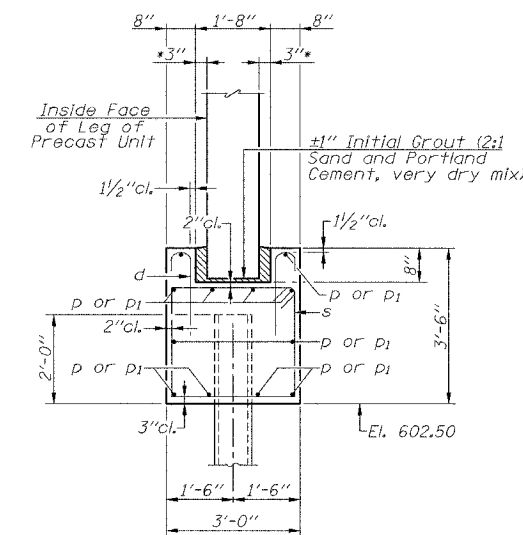
ROUTE NO.	SECTION	COUNTY	TOTAL SHEETS	SHEET NO.
F.A.P. 714	*	CHRISTIAN	94	41
FED. ROAD DIST. NO.	ILLINOIS	FED. AID PROJECT		
* D-6 IL. 48 IMPROVEMENT 2006				

Note: Any structure excavation dewatering shall be included in the cost of "Concrete Structures".



PILE DATA

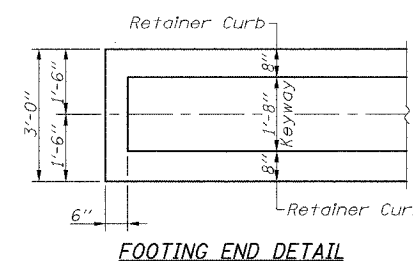
SOUTH FOOTING	NORTH FOOTING
Type: Steel HP 10x42	Steel HP 10x42
Capacity: 43 Tons (Driven to 65 Tons)	43 Tons (Driven to 65 Tons)
Est. Length: 44'	50'
No. Req'd: 6 + 1 Test Pile	6 + 1 Test Pile



* Varies depending on thickness of leg of precast unit.

TWO FOOTINGS BILL OF MATERIAL

BAR	NO.	SIZE	LENGTH	SHAPE	
d	360	#4	3'-0"	⌋	
p	24	#6	25'-8"	—	
p _t	24	#6	18'-6"	—	
s	80	#4	10'-11"	□	
u	12	#6	10'-7"	⌋	
u ₁	4	#4	4'-4"	⌋	
Concrete Structures				Cu.Yd.	31.3
Reinforcement Bars				Pound	3100
Furnishing Steel Piles HP 10x42				Foot	564
Driving Steel Piles				Foot	564
Test Pile, Steel HP 10x42				Each	2



CULVERT FOOTING DETAILS
 IL. ROUTE 48 OVER BUCKHART CREEK
 F.A.P. ROUTE 714 - SECTION
 D-6 IL. 48 IMPROVEMENT 2006
 CHRISTIAN COUNTY
 STA. 401+35.5
 S.N. 011-2507