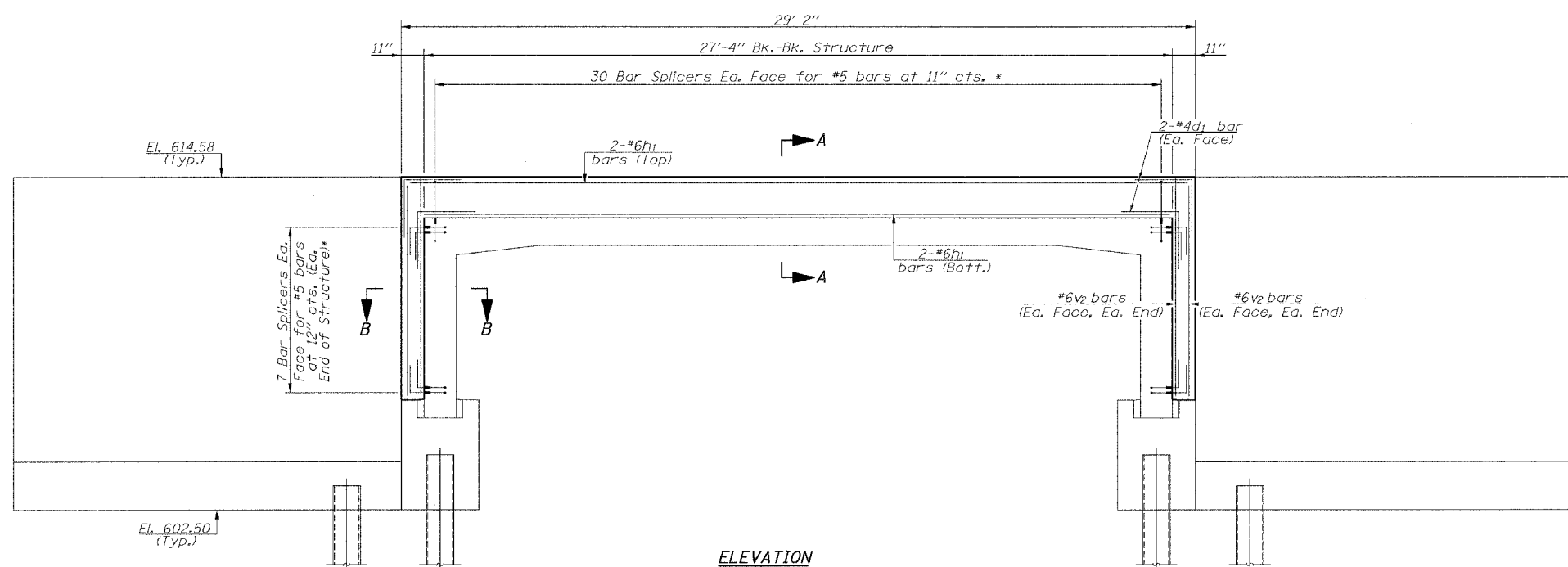
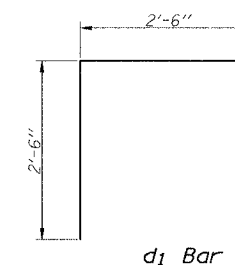


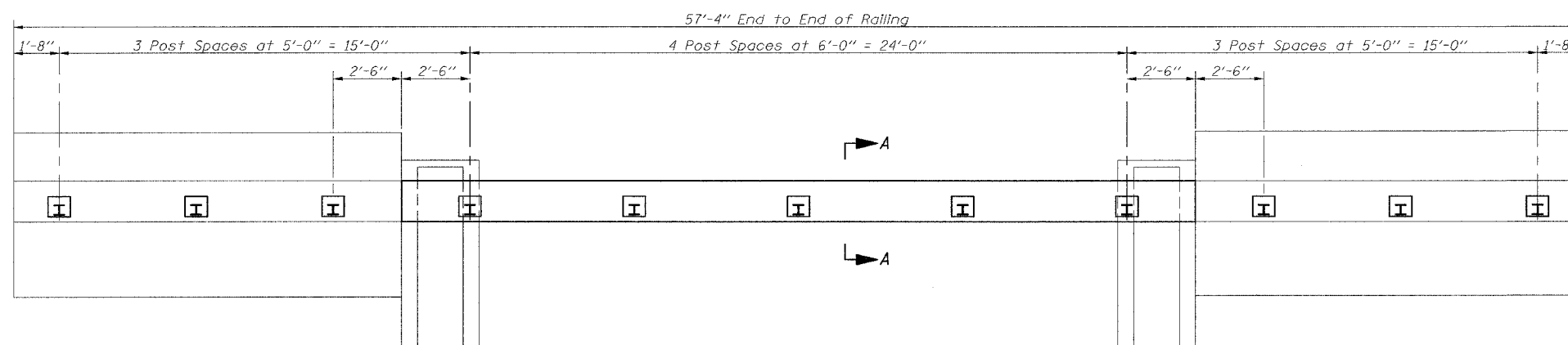
ROUTE NO.	SECTION	COUNTY	TOTAL SHEETS	SHEET NO.
F.A.P. 714	*	CHRISTIAN	94	43
FED. ROAD DIST. NO.	ILLINOIS	FED. AID PROJECT		
* D-6 IL. 48 IMPROVEMENT 2006				



ELEVATION



d1 Bar

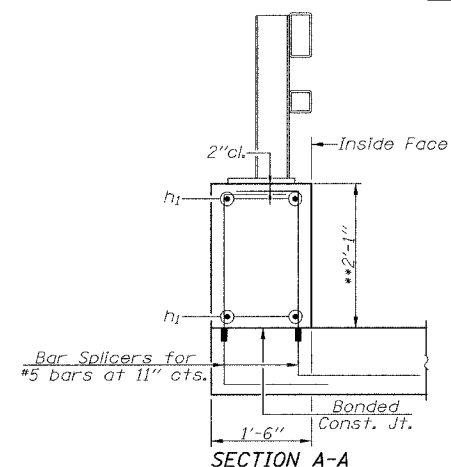


PLAN

* Cost of Bar Splicers are included in the cost of "Three Sided Precast Concrete Structures".

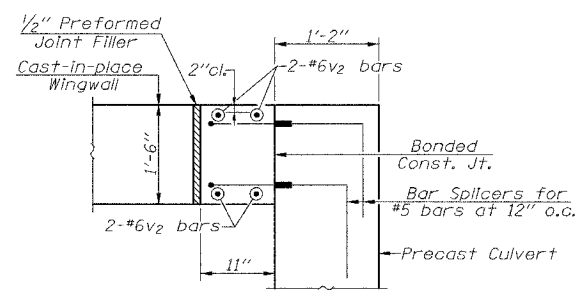
**TWO HEADWALLS
BILL OF MATERIAL**

BAR	NO.	SIZE	LENGTH	SHAPE
d ₁	16	#6	5'-0"	┌
h ₁	8	#6	28'-10"	—
v ₂	16	#6	8'-4"	—
Concrete Structures			Cu. Yd.	8.2
Reinforcement Bars			Pound	670

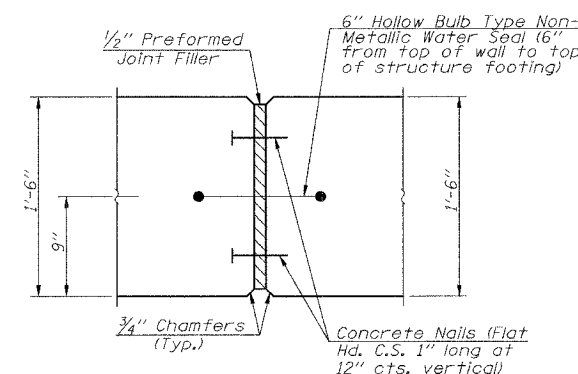


SECTION A-A

** Dimension may vary depending on top slab thickness of three-sided Precast Concrete Structure.



SECTION B-B



CORNER SEAL DETAIL

HEADWALL DETAILS
IL. ROUTE 48 OVER BUCKHART CREEK
F.A.P. ROUTE 714 - SECTION
D-6 IL. 48 IMPROVEMENT 2006
CHRISTIAN COUNTY
STA. 401+35.5
S.N. 011-2507