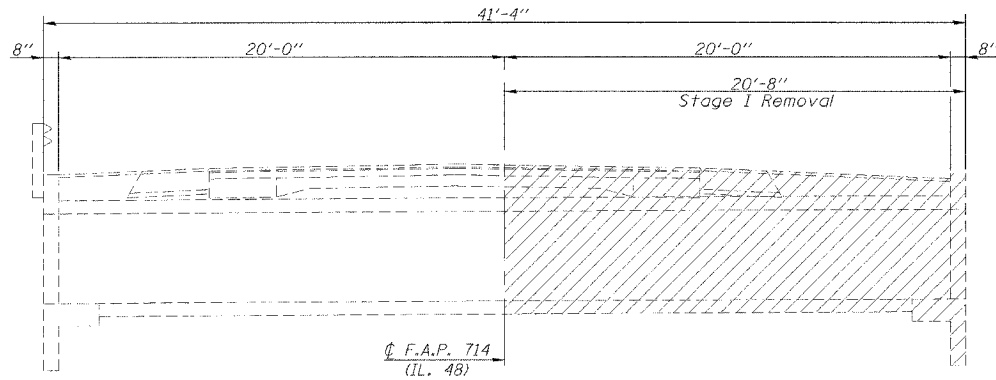
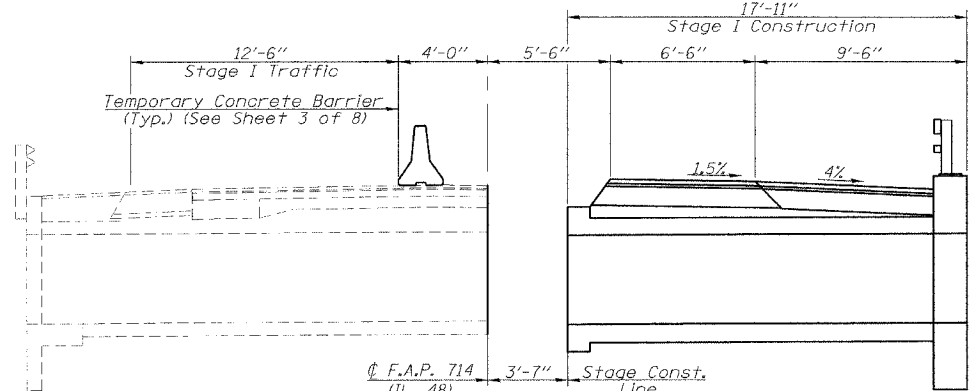


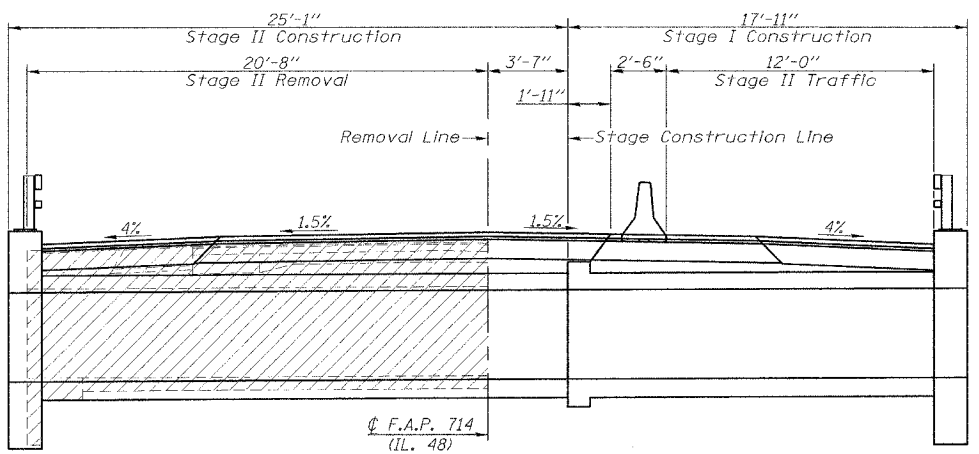
ROUTE NO.	SECTION	COUNTY	TOTAL SHEETS	SHEET NO.
F.A.P. 714		CHRISTIAN	94	58
FED. ROAD DIST. NO.	ILLINOIS	FED. AID PROJECT		
* D-6 IL 48 IMPROVEMENT 2006				



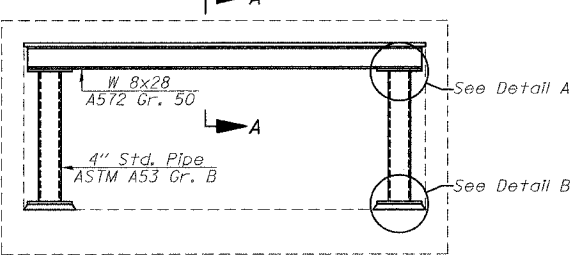
STAGE I REMOVAL
(Looking East)



STAGE I TRAFFIC & CONSTRUCTION
(Looking East)

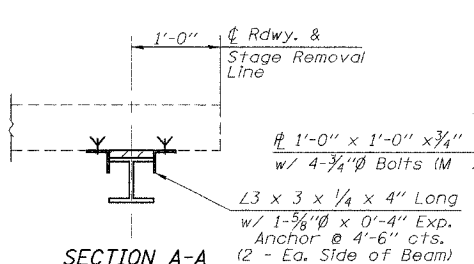


STAGE II TRAFFIC & CONSTRUCTION
(Looking East)

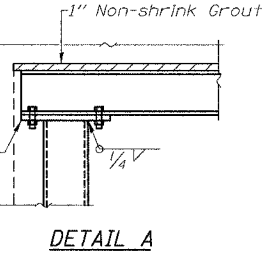


TEMPORARY SUPPORT DETAIL

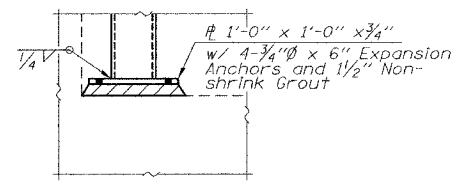
Note: Place temporary support prior to Stage I Removal.



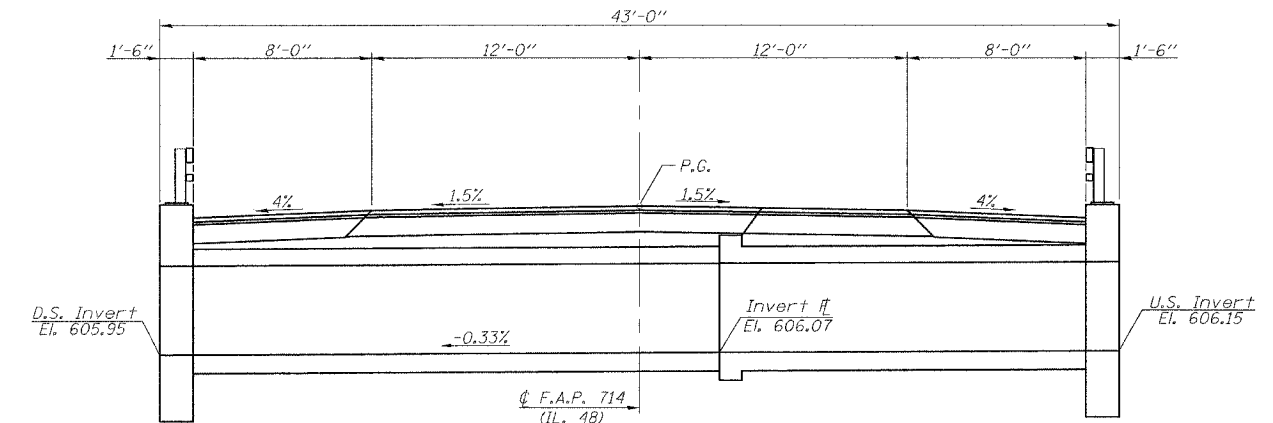
SECTION A-A



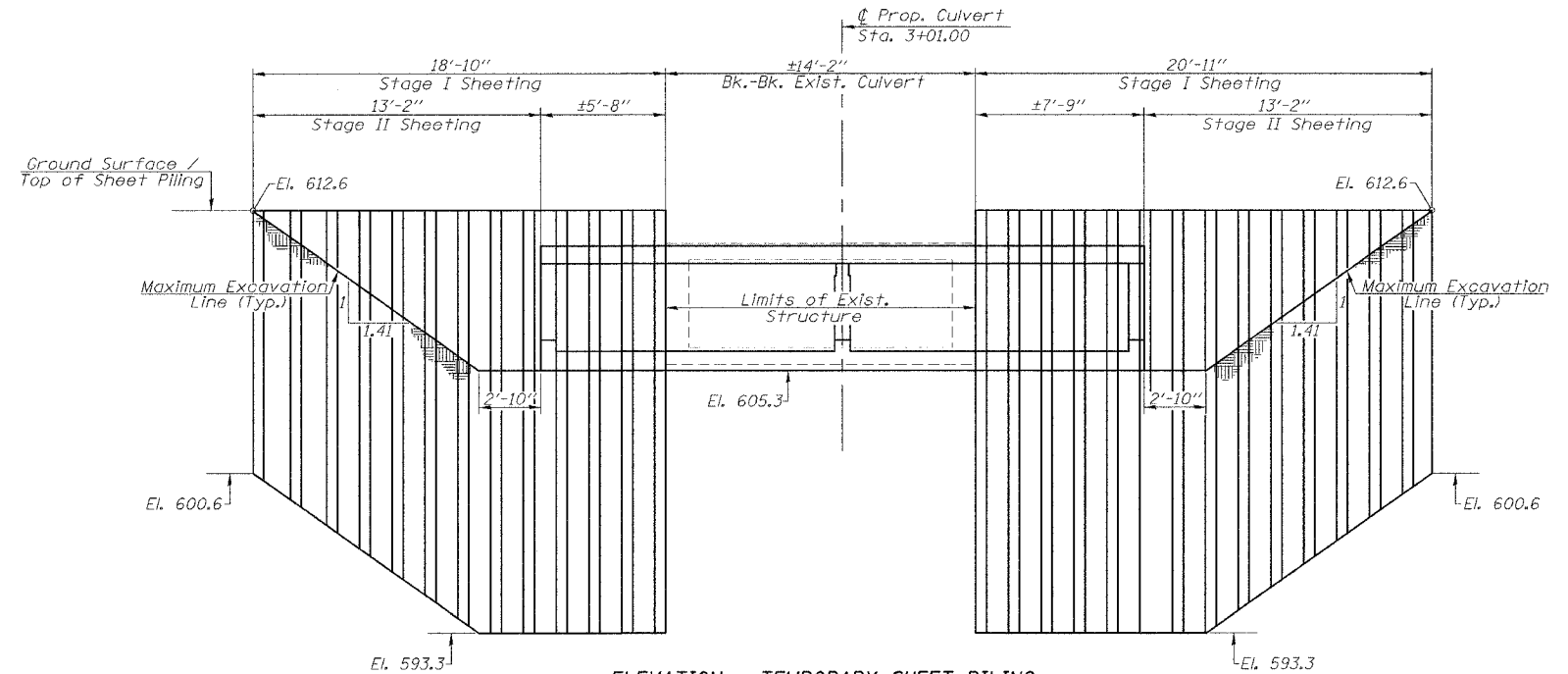
DETAIL A



DETAIL B



LONGITUDINAL SECTION
(Looking East)



ELEVATION - TEMPORARY SHEET PILING
(Minimum Required Section Modulus = 3.3 In³/ft.)

Note: If the Contractor chooses to alter the temporary cantilevered sheet piling design requirements shown on the plans, a design submittal including plan details and calculations will be required for review and acceptance by the Engineer.
Hatched area indicates "Removal of Existing Structures".

STAGING AND DETAILS
IL. ROUTE 48 OVER
TRIBUTARY TO BUCKHART CREEK
F.A.P. ROUTE 714 - SECTION
D-6 IL 48 IMPROVEMENT 2006
CHRISTIAN COUNTY
STA. 3+01.00
S.N. 011-2512