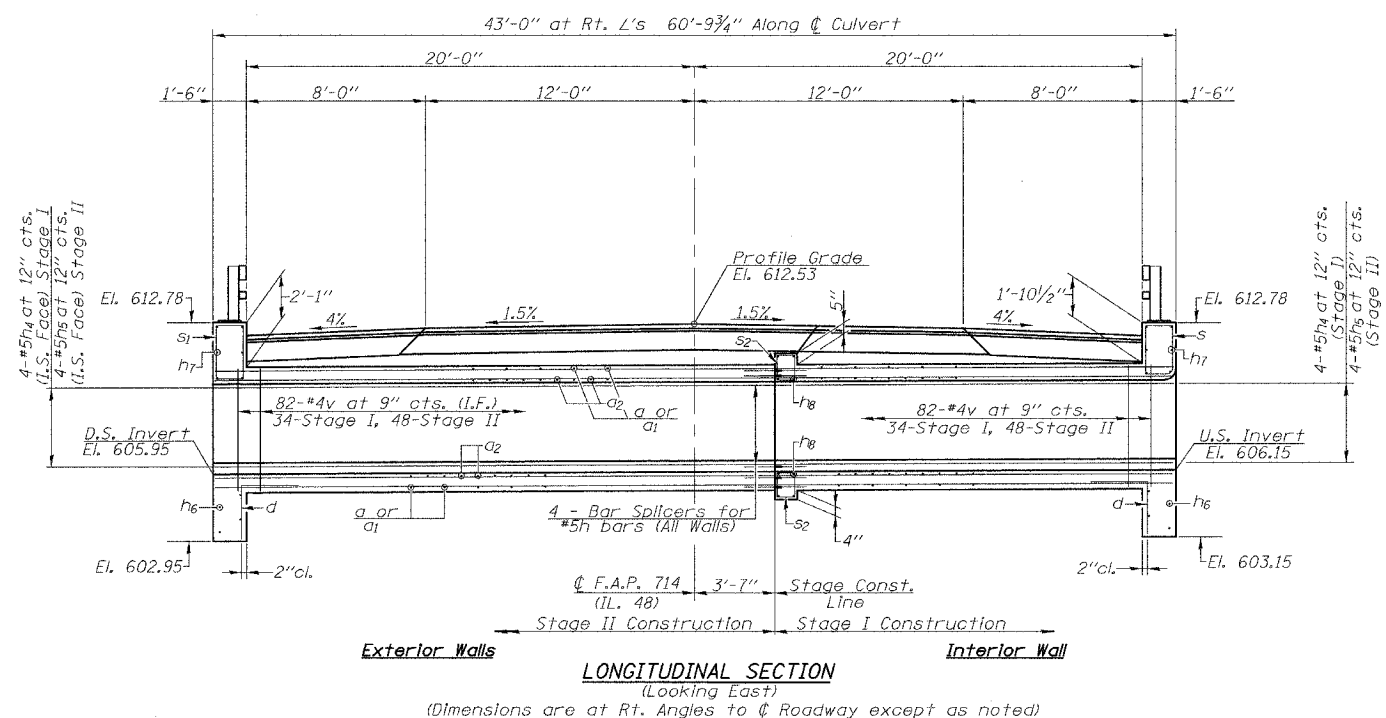
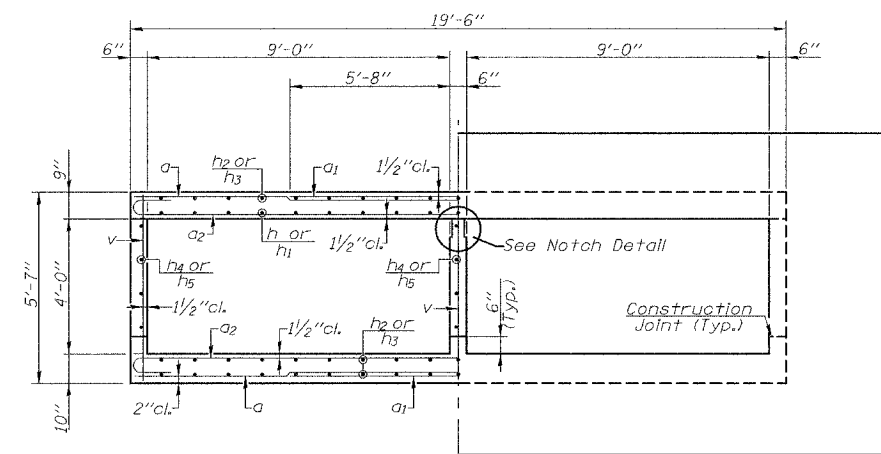


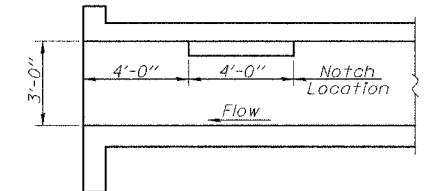
ROUTE NO.	SECTION	COUNTY	TOTAL SHEETS	SHEET NO.
F.A.P. 714		CHRISTIAN	94	60
FED. ROAD DIST. NO.	ILLINOIS	FED. AID PROJECT		
		D-6 IL. 48 IMPROVEMENT 2006		



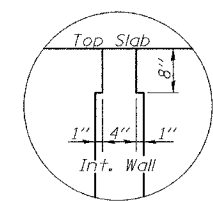
**LONGITUDINAL SECTION**  
(Looking East)  
(Dimensions are at Rt. Angles to C Roadway except as noted)



**HALF SECTION THRU BARREL**  
**HALF END ELEVATION**

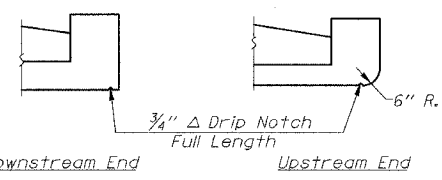


**LONGITUDINAL SECTION**  
(Downstream End Only)



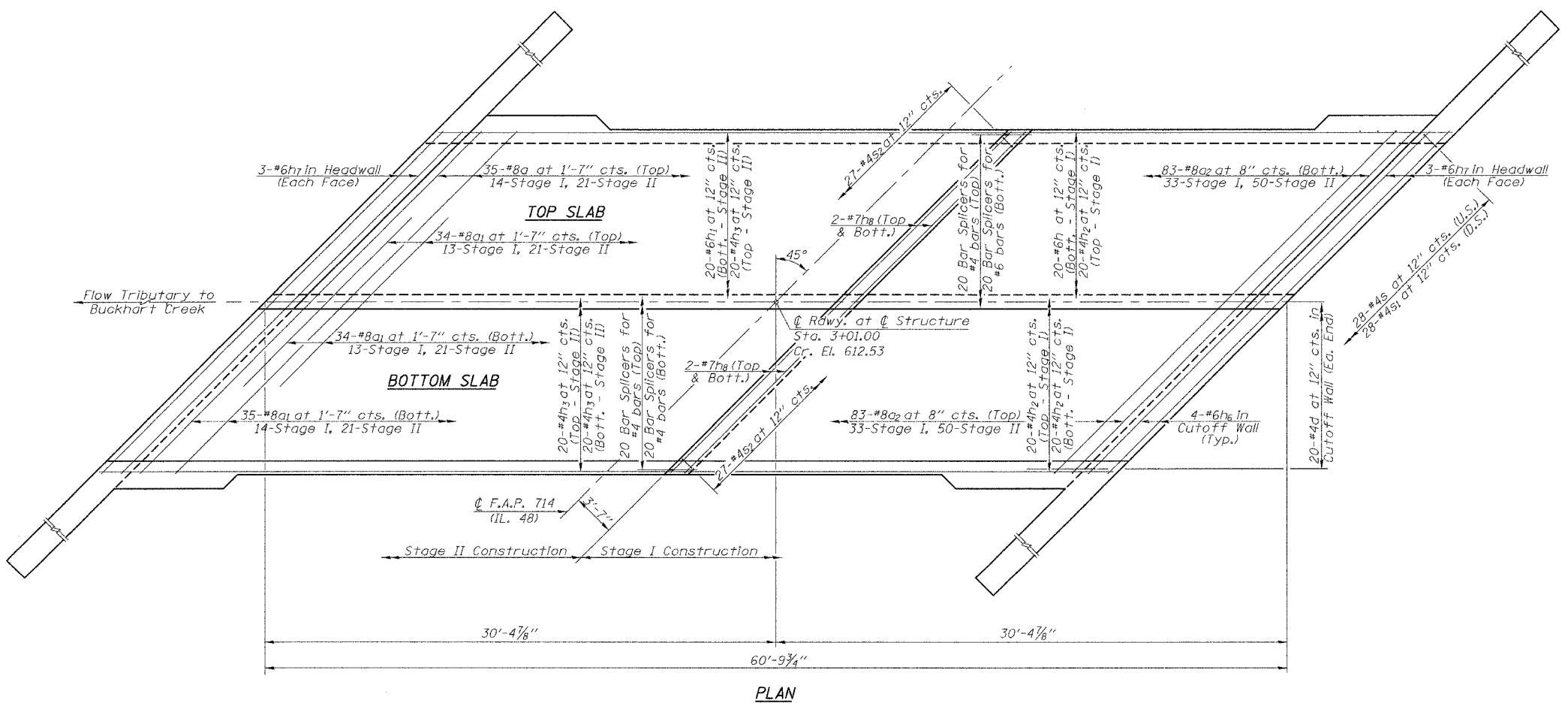
**NOTCH DETAIL**

Notch formed by rough finished board attached to and removed with the formwork. Do not chamfer.



**DRIP NOTCH DETAIL**

Note: Work this sheet with Sheet 5 of 8.



**PLAN**

**CULVERT DETAILS**  
IL. ROUTE 48 OVER  
TRIBUTARY TO BUCKHART CREEK  
F.A.P. ROUTE 714 - SECTION  
D-6 IL 48 IMPROVEMENT 2006  
CHRISTIAN COUNTY  
STA. 3+01.00  
S.N. 011-2512

FILE NAME: STRUCTURE (REV. 3/28/06)