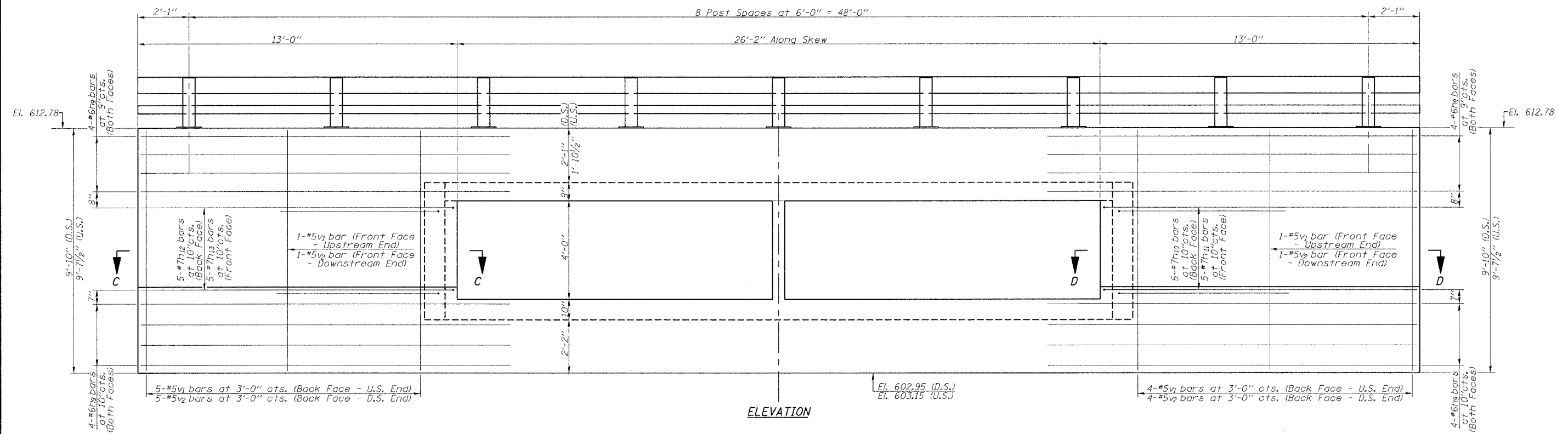
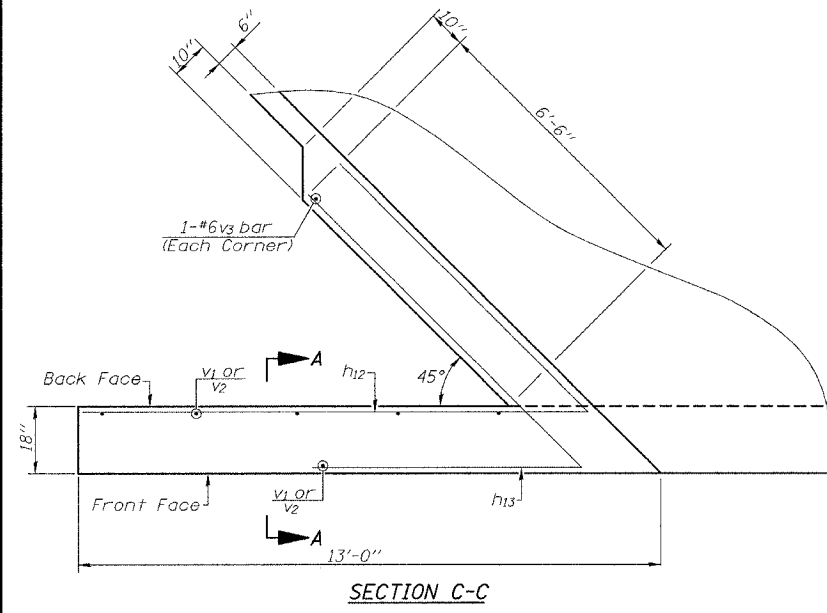


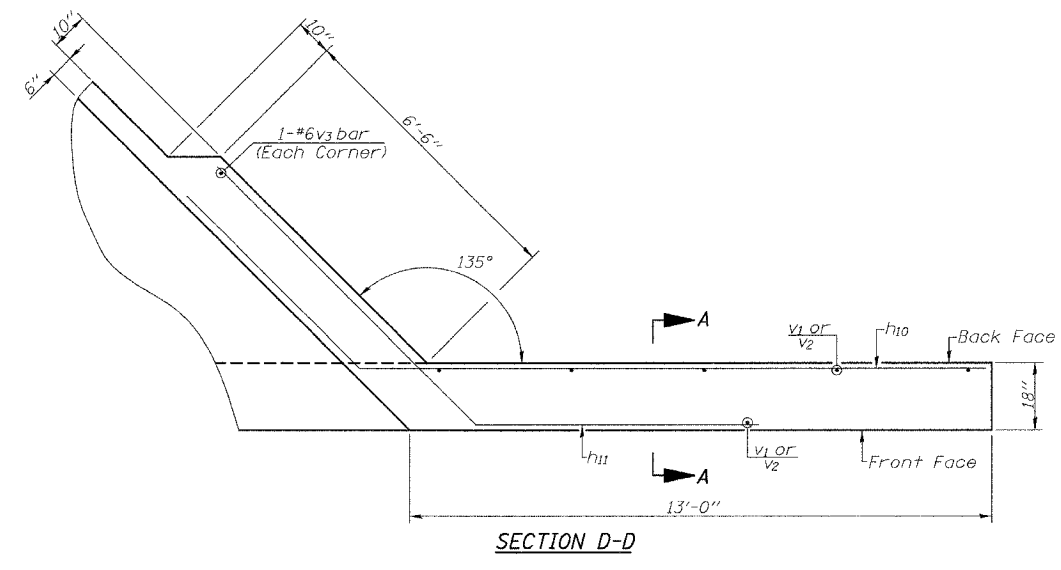
ROUTE NO.	SECTION	COUNTY	TOTAL SHEETS	SHEET NO.
F.A.P. 714	*	CHRISTIAN	94	61
FED. ROAD DIST. NO.	ILLINOIS	FED. AID PROJECT		
* D-6 IL 48 IMPROVEMENT 2006				



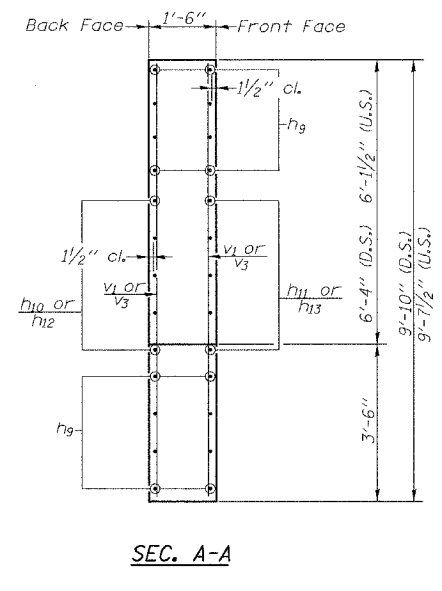
ELEVATION



SECTION C-C



SECTION D-D

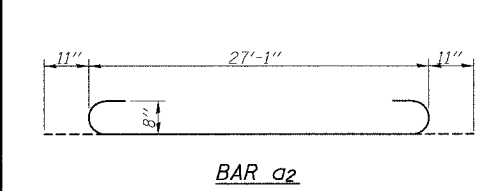


SEC. A-A

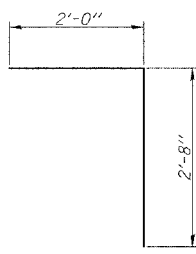
**BILL OF MATERIAL**

Bar	No.	Size	Length	Shape
a	70	#8	27'-1"	—
a1	68	#8	11'-4"	—
a2	166	#8	28'-11"	—
d	40	#4	4'-8"	—
h	20	#6	24'-9"	—
h1	20	#6	34'-11"	—
h2	60	#4	24'-9"	—
h3	60	#4	34'-11"	—
h4	12	#5	24'-9"	—
h5	12	#5	34'-11"	—
h6	8	#6	28'-0"	—
h7	12	#6	30'-0"	—
h8	8	#7	27'-1"	—
h9	64	#6	18'-6"	—
h10	10	#7	19'-4"	—
h11	10	#7	13'-0"	—
h12	10	#7	19'-0"	—
h13	10	#7	13'-4"	—
s	28	#4	7'-5"	□
s1	28	#4	8'-1"	□
s2	54	#4	3'-9"	□
v	246	#4	5'-2"	—
v1	11	#5	9'-3"	—
v2	11	#5	9'-5"	—
v3	4	#6	5'-2"	—
Concrete Box Culverts		Cu. Yd.	127.9	
Reinforcement Bars		Pound	30,930	
Bar Splicers		Each	92	

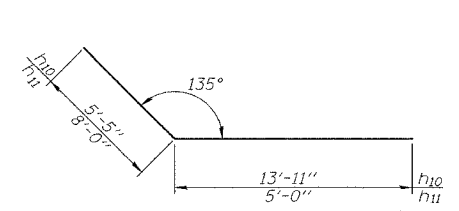
Work this sheet with Sheet No. 4 of 8.



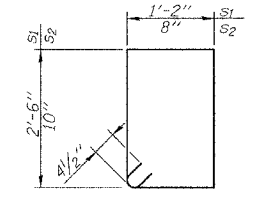
BAR a2



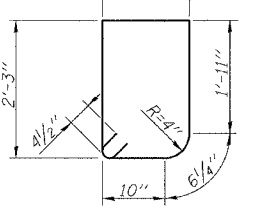
BAR d



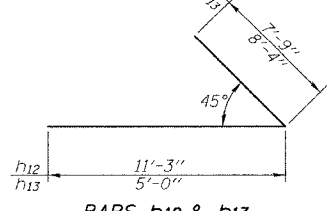
BARS h10 & h11



BARS s1 & s2



BAR s



BARS h12 & h13

**CULVERT DETAILS**  
 IL. ROUTE 48 OVER  
 TRIBUTARY TO BUCKHART CREEK  
 F.A.P. ROUTE 714 - SECTION  
 D-6 IL 48 IMPROVEMENT 2006  
 CHRISTIAN COUNTY  
 STA. 3+01.00  
 S.N. 011-2512