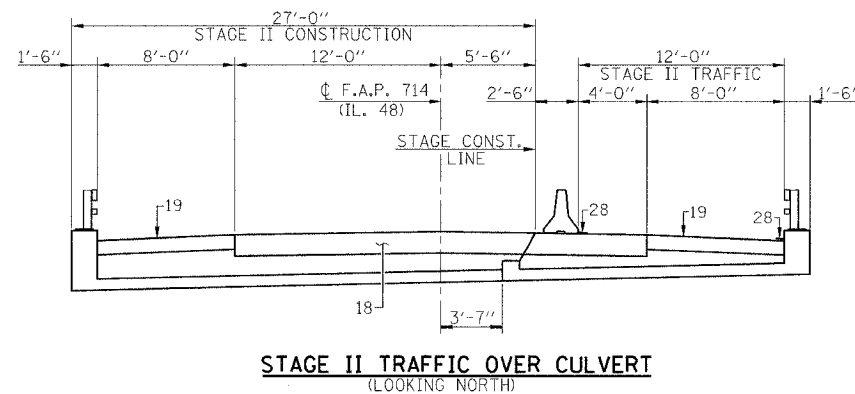
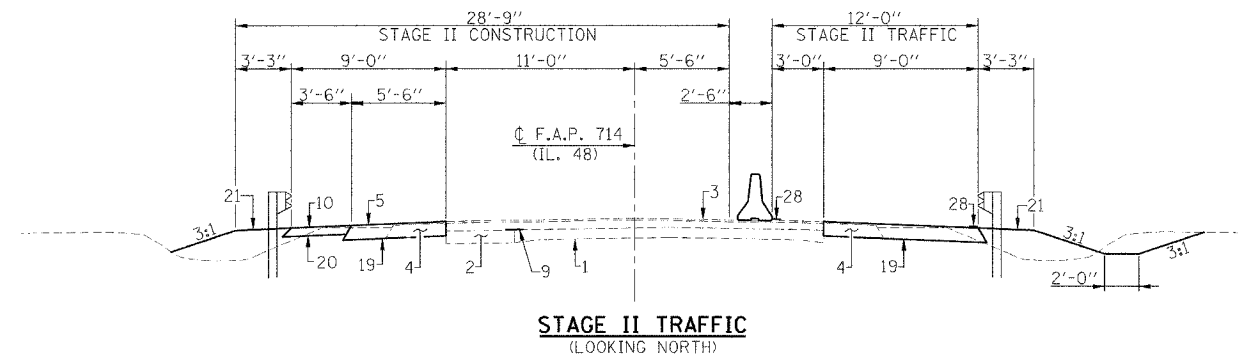
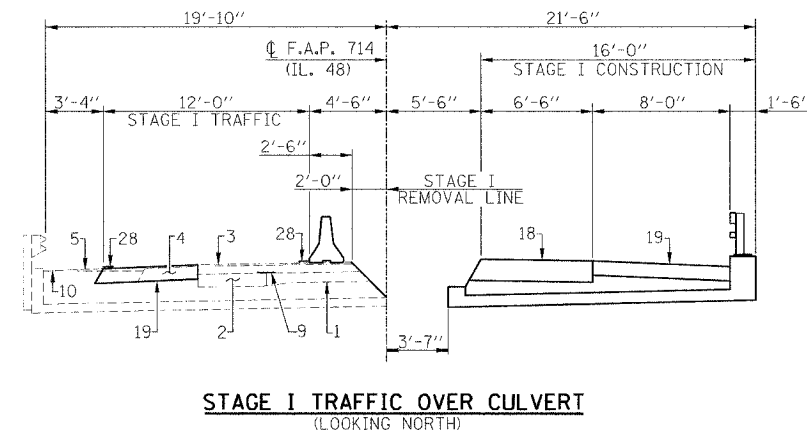
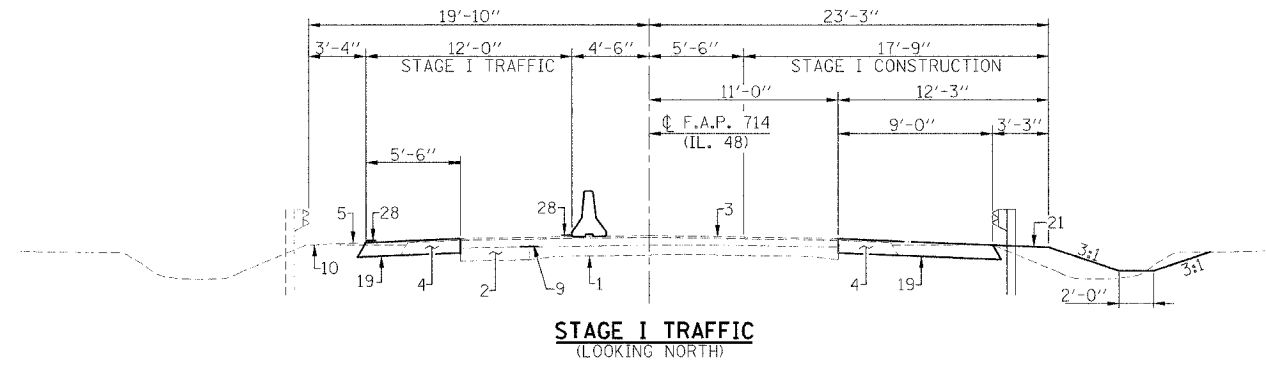


F.A.P. RTE.	SECTION	COUNTY	TOTAL SHEETS	SHEET NO.
714	*	CHRISTIAN	94	68
STA. 110+70 TO STA. 111+26				
FED. ROAD DIST. NO. ILLINOIS FED. AID PROJECT				
* D-6 IL. 48 IMPROVEMENT 2006				



**PAVEMENT LEGEND**

1. EXISTING 9"-7"-9" P.C.C. PAVEMENT
- 1A. EXISTING 9" P.C.C. BASE COURSE
2. EXISTING P.C.C. WIDENING
3. EXISTING BITUMINOUS CONCRETE OVERLAY
4. EXISTING BITUMINOUS SHOULDER 8"
- 4A. EXISTING BITUMINOUS SHOULDER 10"
5. EXISTING AGGREGATE SHOULDER WEDGE
- 5A. EXISTING AGGREGATE SHOULDER 6"
6. EXISTING BITUMINOUS CONCRETE PAVEMENT, 12 1/4"
7. EXISTING AGGREGATE SHOULDER 8"
8. EXISTING CONCRETE CURB
9. EXISTING STRIP REFLECTIVE CRACK CONTROL TREATMENT
10. EXISTING EARTH SHOULDER
11. PROPOSED BITUMINOUS SURFACE REMOVAL (VARIABLE DEPTH)
12. PROPOSED LEVELING BINDER (MACHINE METHOD) SUPERPAVE, N50 3/4"
13. PROPOSED BITUMINOUS CONCRETE SURFACE COURSE SUPERPAVE, MIX. "C", N50 (1 1/2")
14. PROPOSED BITUMINOUS SHOULDER, SUPERPAVE (2 1/4")
15. PROPOSED AGGREGATE SHOULDER (SEE DETAIL)
16. PROPOSED PAINT PAVEMENT MARKING - LINE 5" (STRIPE FOR 11'-0" LANE WIDTH)
17. PROPOSED STRIP REFLECTIVE CRACK CONTROL TREATMENT
18. PROPOSED BITUMINOUS BASE COURSE SUPERPAVE 1 1/2"
19. PROPOSED BITUMINOUS BASE COURSE SUPERPAVE 10"
20. PROPOSED AGGREGATE SHOULDER 6"
21. PROPOSED EARTH SHOULDER
22. PROPOSED SUB-BASE GRANULAR MATERIAL TYPE A 4"
23. GEOTECHNICAL FABRIC AND GRANULAR BACKFILL
24. EXISTING OIL & CHIP OVERLAY
25. EXISTING AGGREGATE BASE
26. PROPOSED AGGREGATE BASE COURSE TYPE A 13"
27. EXISTING AGGREGATE SHOULDER
28. TEMPORARY PAVEMENT MARKING - LINE 5"

WORK THIS SHEET WITH THE NEXT TWO SHEETS.

**STAGE CONSTRUCTION TRAFFIC DETAILS**  
 IL. ROUTE 48 OVER  
 TRIBUTARY TO BUCKHART CREEK  
 F.A.P. ROUTE 714 - SECTION  
 D-6 IL. 48 IMPROVEMENT 2006  
 CHRISTIAN COUNTY  
 STA. 110+98.50  
 S.N. 011-7055