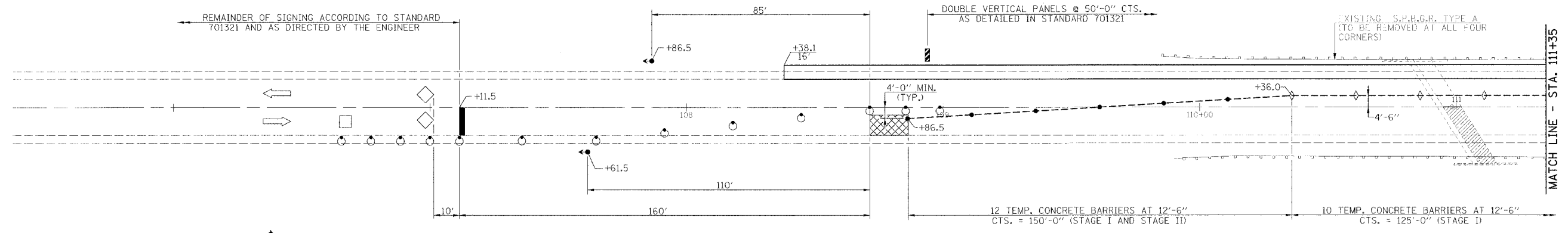


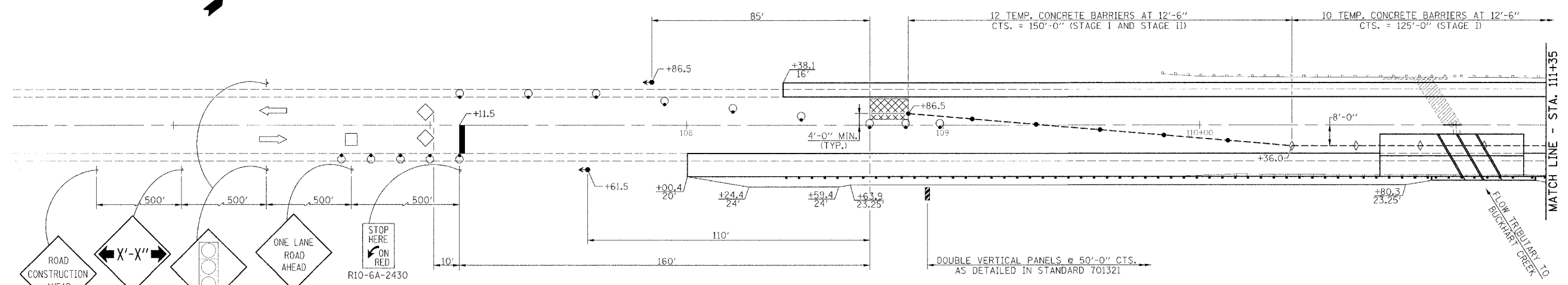
F.A.P. RTE.	SECTION	COUNTY	TOTAL SHEETS	SHEET NO.
714		CHRISTIAN	94	69

STA. 110+70 TO STA. 111+26  
 FED. ROAD DIST. NO. ILLINOIS FED. AID PROJECT  
 • D-6 IL 48 IMPROVEMENT 2006

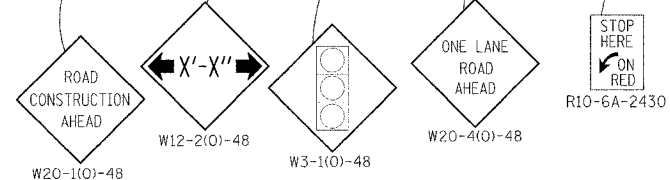
**BITUMINOUS CONCRETE BASE COURSE WIDENING SUPERPAVE 10"**  
 STA. 108+38.1 TO STA. 113+96.6 LT. - 5'-6"  
 (TO BE PLACED FOR STAGE I TRAFFIC)



STAGE I TRAFFIC



STAGE II TRAFFIC



**SUGGESTED STAGE CONSTRUCTION SEQUENCE**

**STAGE I**

1. THE CONTRACTOR SHALL PLACE MAX. WIDTH SIGNS AND ROAD CLOSED AHEAD SIGNS AS SHOWN ON THESE PLANS, BEFORE IMPLEMENTING ANY STAGE TRAFFIC CONTROL. THESE SIGNS SHALL BE INCLUDED IN THE COST OF "TRAFFIC CONTROL AND PROTECTION STANDARD 701321 (SPECIAL)".
2. CONSTRUCT BITUMINOUS CONCRETE BASE COURSE WIDENING SUPERPAVE 10" LT. STA. 108+38.1 TO STA. 113+96.6 - (5'-6" WIDE).
3. ERECT TRAFFIC CONTROL FOR STAGE I.
4. REMOVE EXISTING GUARDRAIL AND STRUCTURE RIGHT, C. STA. 111+00.
5. CONSTRUCT PROPOSED STAGE I 6'-0" X 3'-0" CULVERT AND WINGWALLS C. STA. 110+98.5.
6. CONSTRUCT PROPOSED BITUMINOUS BASE COURSE SUPERPAVE 10" AND GUARDRAIL RT. STA. 108+00.4 TO STA. 113+58.9.
7. CONSTRUCT BITUMINOUS CONCRETE BASE COURSE RT. STA. 110+70 TO STA. 111+26.

**STAGE II**

1. ERECT TRAFFIC CONTROL FOR STAGE II.
2. REMOVE EXISTING STRUCTURE LEFT C. STA. 111+00.
3. CONSTRUCT PROPOSED STAGE II 6'-0" X 3'-0" CULVERT AND WINGWALLS C. STA. 110+98.5.
4. CONSTRUCT PROPOSED BITUMINOUS CONCRETE BASE COURSE SUPERPAVE 10" AND GUARDRAIL LT. STA. 108+38.1 TO STA. 113+96.6.
5. CONSTRUCT PROPOSED AGGREGATE SHOULDERS LT. STA. 108+38.1 TO STA. 110+70 & STA. 111+26 TO STA. 113+96.6.
6. CONSTRUCT BITUMINOUS CONCRETE BASE COURSE LT. STA. 110+70 TO STA. 111+26.

**FINAL**

1. INSTALL SHORT-TERM PAVEMENT MARKINGS AND REMOVE ALL STAGE TRAFFIC CONTROL AND RE-ESTABLISH NORMAL TRAFFIC PATTERNS.
2. REMOVE SHORT TERM PAVEMENT MARKINGS. FINAL BITUMINOUS CONCRETE BINDER AND SURFACE COURSE WILL BE PLACED UNDER TRAFFIC WITH FLAGGERS AT A LATER DATE.
3. STRIPING, SEEDING AND MISCELLANEOUS CLEANUP.

**GENERAL NOTES**

1. THIS TRAFFIC CONTROL DETAIL SHALL BE USED IN CONJUNCTION WITH STANDARD 701321.
2. THE CONTRACTOR SHALL NOTIFY LARRY SIMON (PH. 785-5836) IN THE DISTRICT 6 TRAFFIC SECTION OF THE BUREAU OF OPERATIONS AT LEAST ONE WEEK PRIOR TO IMPLEMENTING STAGE TRAFFIC CONTROL.
3. EXISTING PAVEMENT MARKINGS THAT CONFLICT WITH THE REVISED STAGE TRAFFIC PATTERNS DURING ALL PHASES OF STAGE CONSTRUCTION SHALL BE REMOVED AS SPECIFIC IN SECTION 783 OF THE STANDARD SPECIFICATIONS AND PAID FOR AS "PAVEMENT MARKING REMOVAL".
4. THE CONTRACTOR SHALL MAINTAIN FULL OPERATIONAL STATUS OF ALL SIDEROADS AND ACCESS TO ALL PRIVATE AND COMMERCIAL PROPERTIES DURING ALL PHASES OF CONSTRUCTION.
5. TEMPORARY CONCRETE BARRIER, THE BARRIER UNIT AT EACH END OF THE INSTALLATION SHALL BE SECURED TO THE PAVEMENT OR SHOULDER USING ALL SIX ANCHORING PINS FOR F SHAPE OR ALL SIX DOWEL BARS FOR NEW JERSEY SHAPE.
6. EACH DETECTOR LOOP SHALL BE CONNECTED TO A SEPERATE DETECTOR AMPLIFIER.
7. THE COST TO INSTALL TEMPORARY PAVEMENT MARKING AS DETAILED ON THESE SHEETS SHALL BE INCLUDED IN THE COST OF "TRAFFIC CONTROL & PROTECTION STANDARD 701321, SPECIAL".
8. SIGNING FOR STAGE II SAME AS STAGE I.

**SYMBOLS**

- WORK AREA
- SIGN
- TYPE III BARRICADE
- DRUM WITH STEADY BURNING LIGHT
- TRAFFIC SIGNAL
- TEMPORARY RUMBLE STRIP
- INDUCTION LOOP DETECTOR
- DOUBLE VERTICAL PANEL
- TYPE C BIDIRECTIONAL REFLECTOR
- TEMPORARY CONCRETE BARRIER
- IMPACT ATTENUATOR
- STEADY BURNING LIGHTS AND DOUBLE VERTICAL PANELS

SEE THE NEXT SHEET FOR TRAFFIC CONTROL & TEMPORARY PAVEMENT MARKING SCHEDULES.  
 WORK THIS SHEET WITH THE PREVIOUS SHEET AND THE NEXT SHEET.

**STAGE CONSTRUCTION TRAFFIC DETAILS**  
 IL. ROUTE 48 OVER  
 TRIBUTARY TO BUCKHART CREEK  
 F.A.P. ROUTE 714 - SECTION  
 D-6 IL 48 IMPROVEMENT 2006  
 CHRISTIAN COUNTY  
 STA. 110+98.50  
 S.N. 011-7055



FILE NAME: S110283 (REV. 2/2/05)