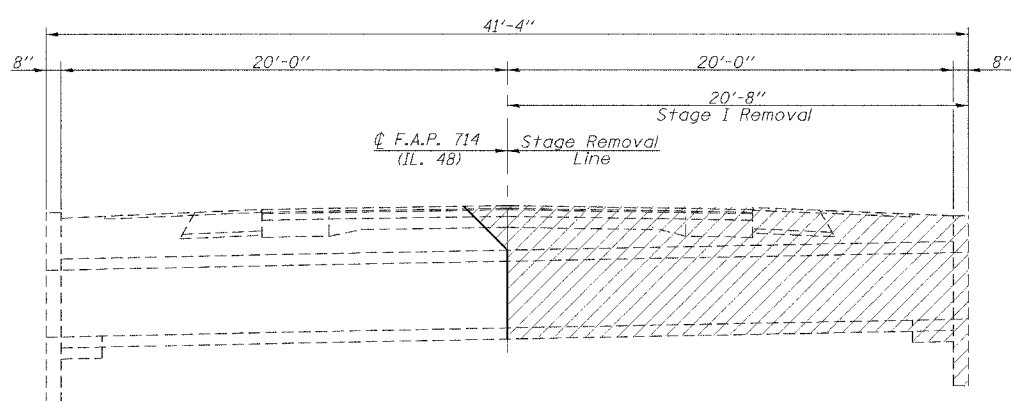
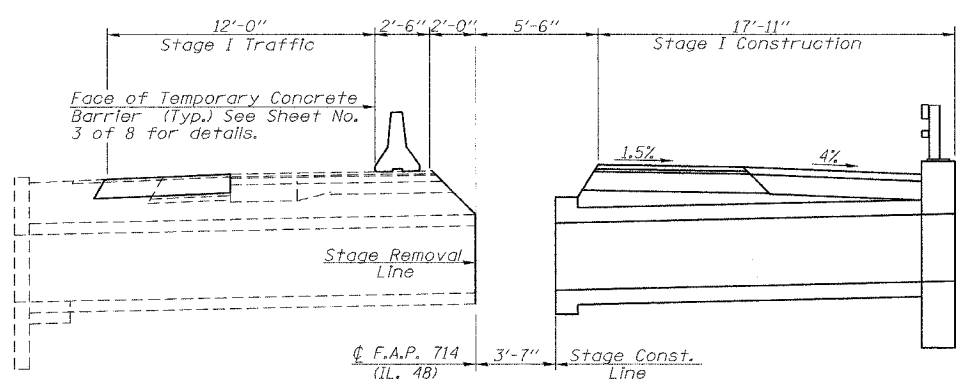


ROUTE NO.	SECTION	COUNTY	TOTAL SHEETS	SHEET NO.
F.A.P. 714	*	CHRISTIAN	94	75
FED. ROAD DIST. NO.	ILLINOIS	FED. AID PROJECT		
* D-6 IL. 48 IMPROVEMENT 2006				

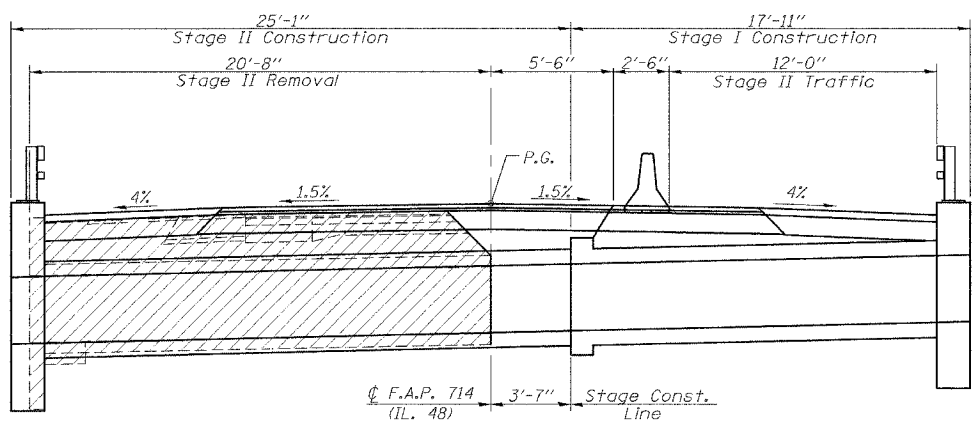
SHEET NO. 2 OF 8 SHEETS



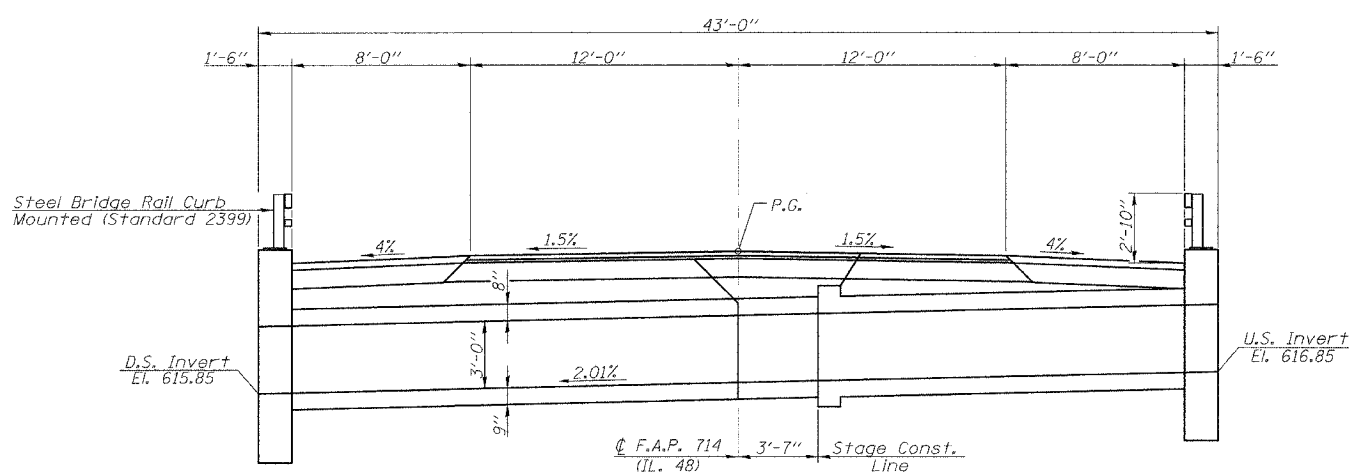
EXISTING STRUCTURE
(Looking East)



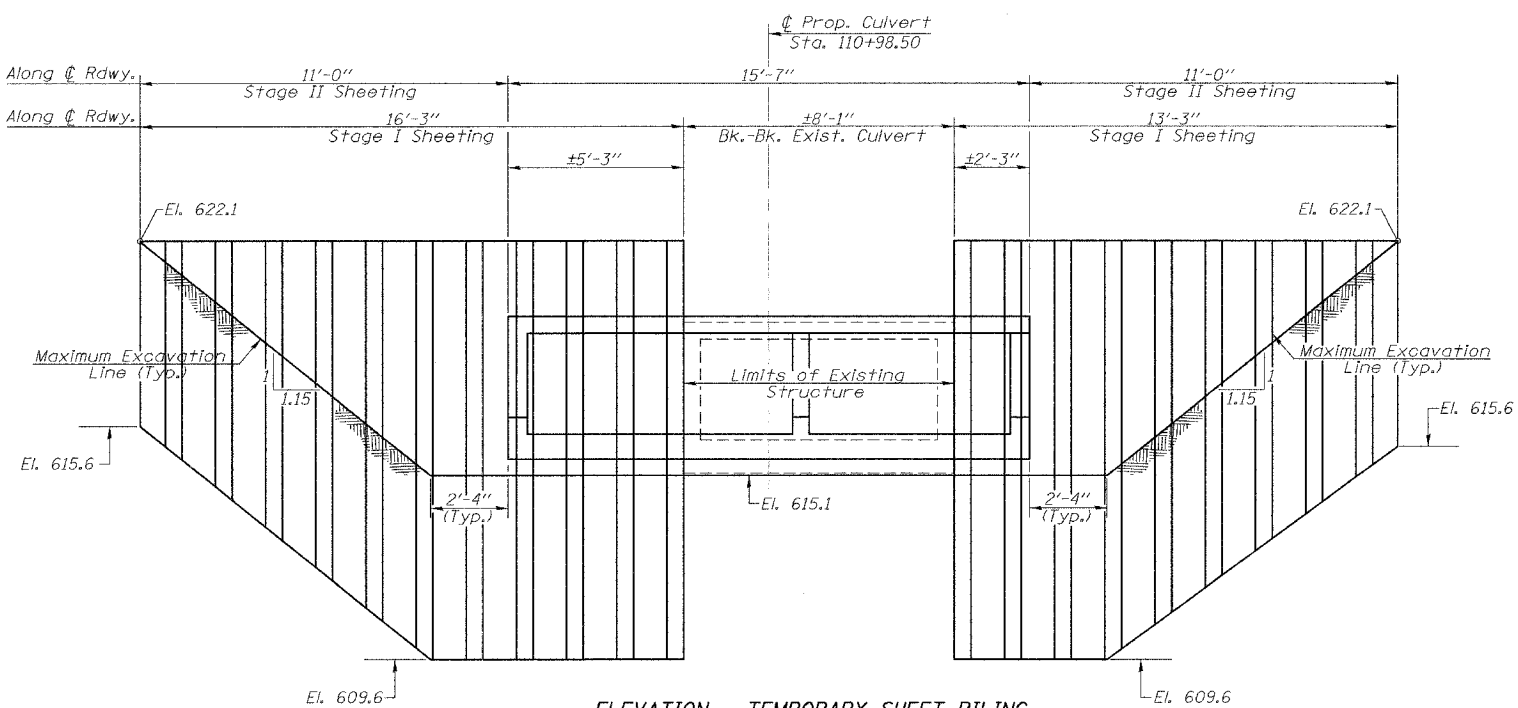
STAGE I TRAFFIC & CONSTRUCTION
(Looking East)



STAGE II TRAFFIC & CONSTRUCTION
(Looking East)

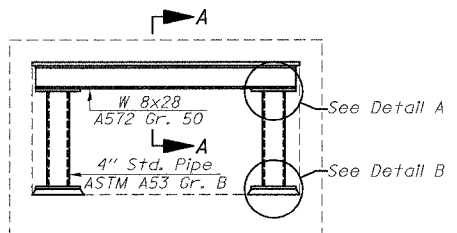


LONGITUDINAL SECTION
(Looking East)

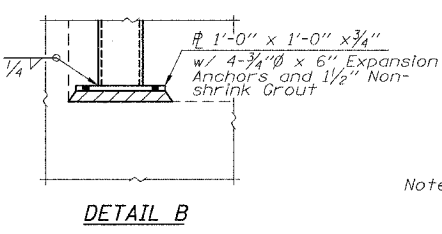
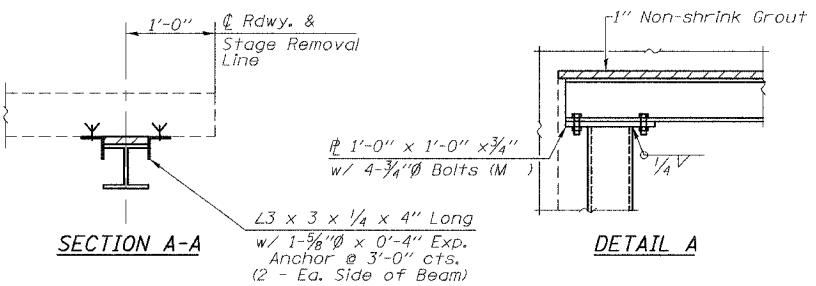


ELEVATION - TEMPORARY SHEET PILING
(Minimum Required Section Modulus = 2.5 in.³/ft.)

Notes: If the Contractor chooses to alter the temporary cantilevered sheet piling design requirements shown on the plans, a design submittal including plan details and calculations will be required for review and acceptance by the Engineer.



TEMPORARY SUPPORT DETAIL
Note: Place temporary support prior to Stage I Removal.
Cost included with "Temporary Shoring".



DETAIL B

Notes: Hatched areas indicate "Removal of Existing Structures".
See Roadway Plans for quantity of Temporary Concrete Barrier.
All dimensions at Rt. L's unless otherwise noted.

STAGING AND DETAILS
IL. ROUTE 48 OVER
TRIBUTARY TO BUCKHART CREEK
F.A.P. ROUTE 714 - SECTION
D-6 IL. 48 IMPROVEMENT 2006
CHRISTIAN COUNTY
STA. 110+98.50
S.N. 011-7055

FILE NAME: STRUCTURE (REV. 3/27/06)