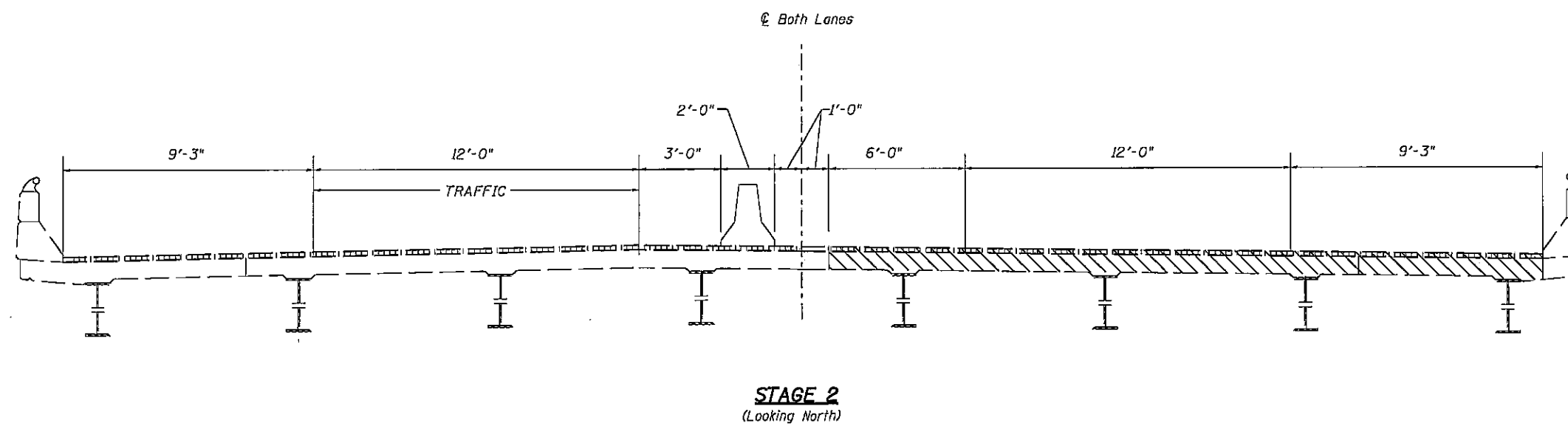
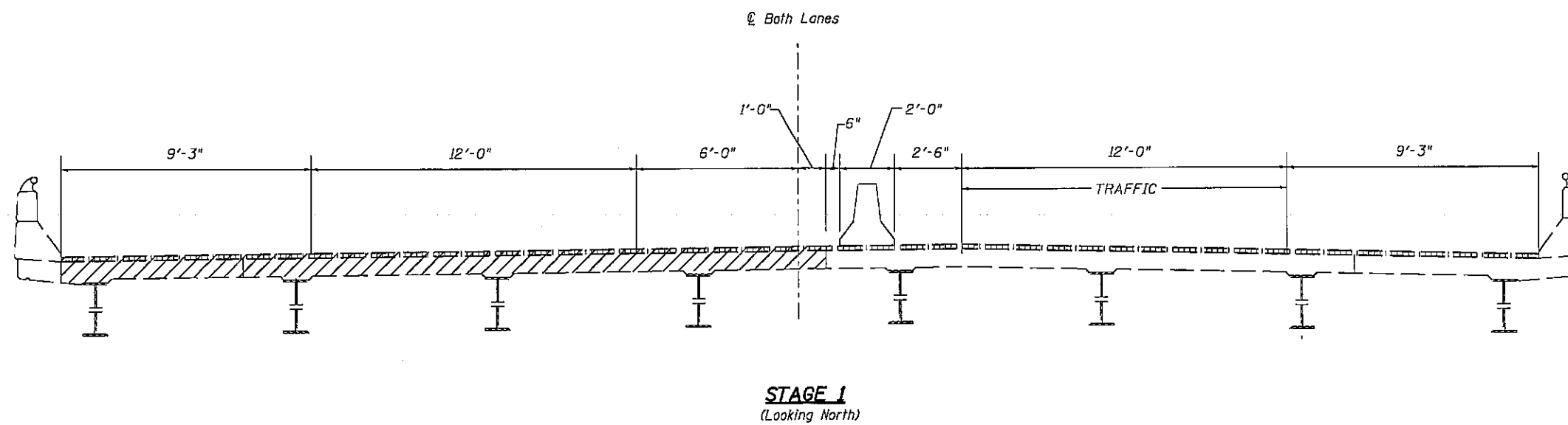


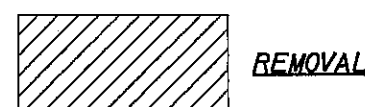
F.A.I. RTE.	SECTION	COUNTY	TOTAL SHEETS	SHEET NO.
55	54-4B1-3	LOGAN	10	6
STA.	TO STA.			
FED. ROAD DIST. NO. 6	ILLINOIS	FED. AID PROJECT		

BRIDGE SHEET 3 OF 7
CONTRACT 72A32



Notes:

The contractor may elect to close either the left or right side of the bridges first. The concrete barrier shall be tapered as outlined in the special provisions and shall terminate at the edge of pavement on the closed side of the bridge.



NOT TO SCALE

STATE OF ILLINOIS
DEPARTMENT OF TRANSPORTATION

STAGING DETAIL

F.A.I. ROUTE 55 OVER
KICKAPOO CREEK
LOGAN COUNTY
SECTION 54-4B1-3
STATION 376+75.00
STRUCTURE No. 054-0048 &
STRUCTURE No. 054-0049