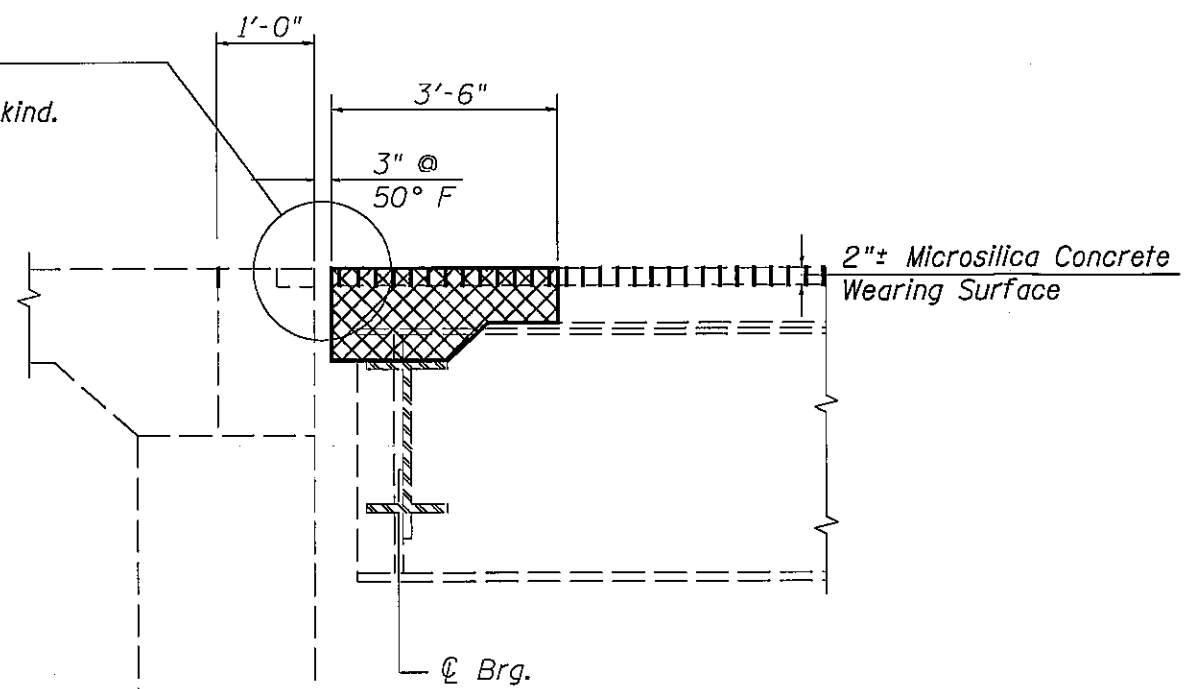


F.A.I. RTE.	SECTION	COUNTY	TOTAL SHEETS	SHEET NO.
55	154-4B1-3	LOGAN	10	9
STA. _____		TO STA. _____		
FED. ROAD DIST. NO. 6		ILLINOIS FED. AID PROJECT _____		

BRIDGE SHEET 6 OF 7  
CONTRACT 72A32

Existing Silicone Joint Sealer/  
Polymer Concrete Nosing Joint  
to be removed and replaced in kind.  
See detail on this sheet

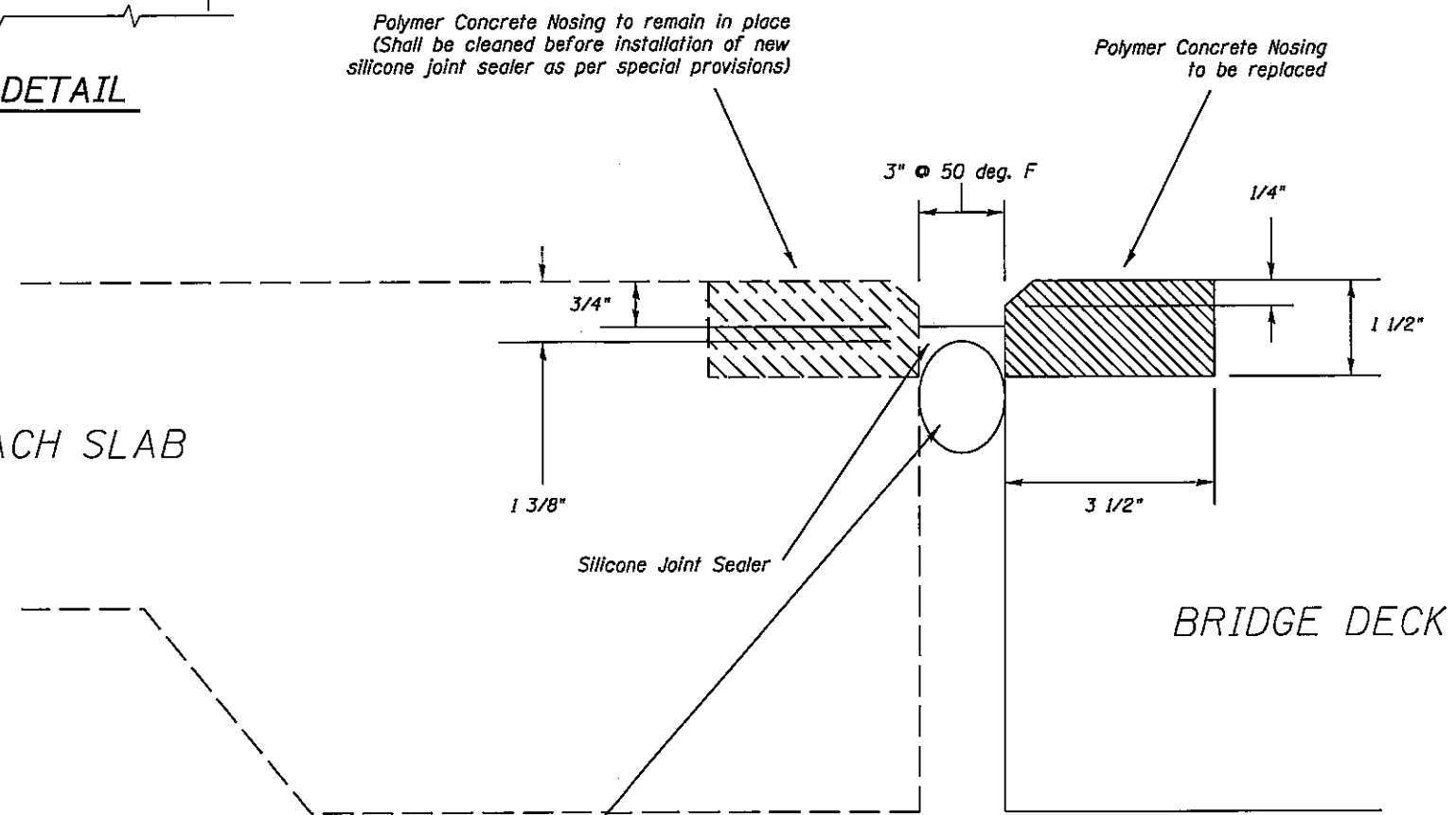


**JOINT DETAIL**

Polymer Concrete Nosing to remain in place  
(Shall be cleaned before installation of new silicone joint sealer as per special provisions)

Polymer Concrete Nosing to be replaced

APPROACH SLAB



**SILICONE JOINT SEALER DETAIL**  
(North Abutment)

Backer rod having a diameter  
25% greater than joint opening  
at time of installation.

STATE OF ILLINOIS  
DEPARTMENT OF TRANSPORTATION  
**SILICONE JOINT DETAIL**

F.A.I. ROUTE 55 OVER  
KICKAPOO CREEK  
LOGAN COUNTY  
SECTION (54-4B)I-3  
STATION 376+75.00  
STRUCTURE No. 054-0048 &  
STRUCTURE No. 054-0049