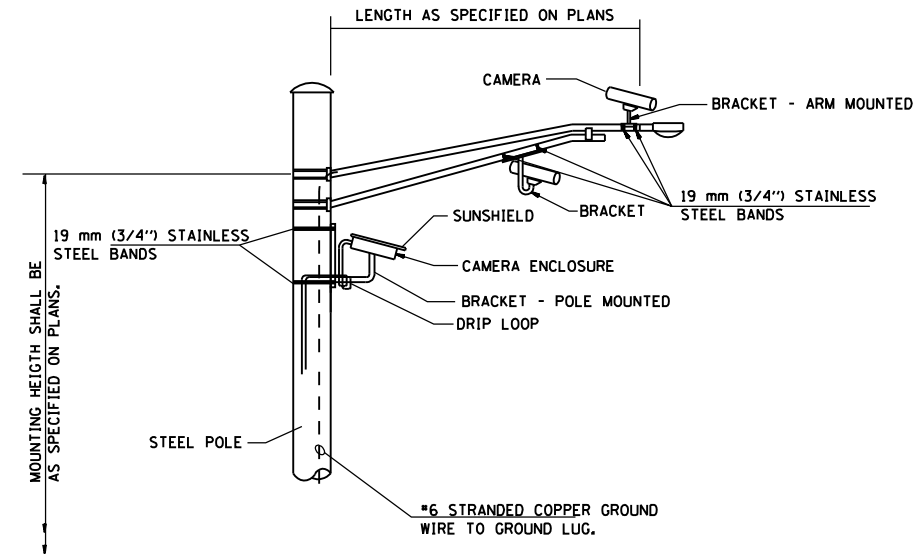
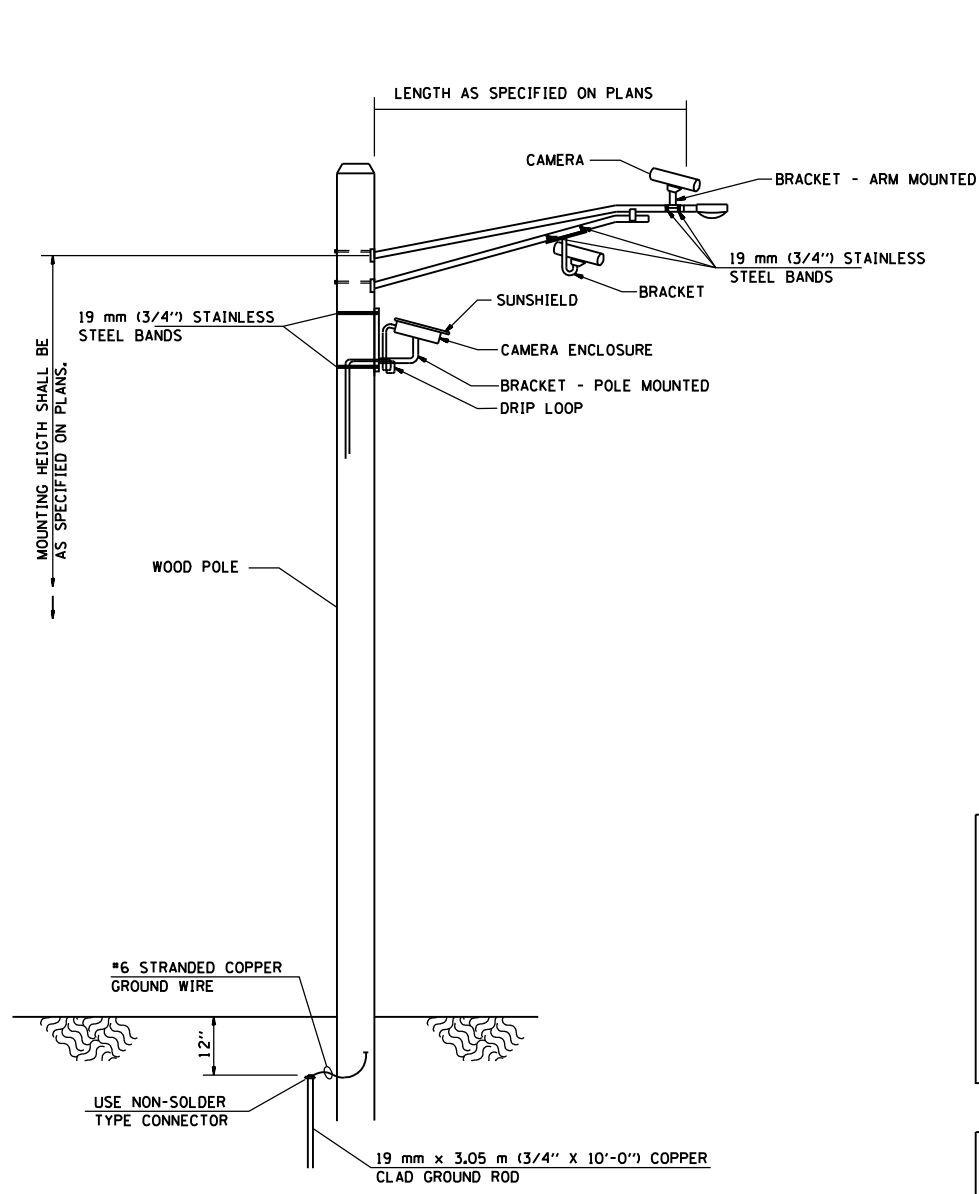
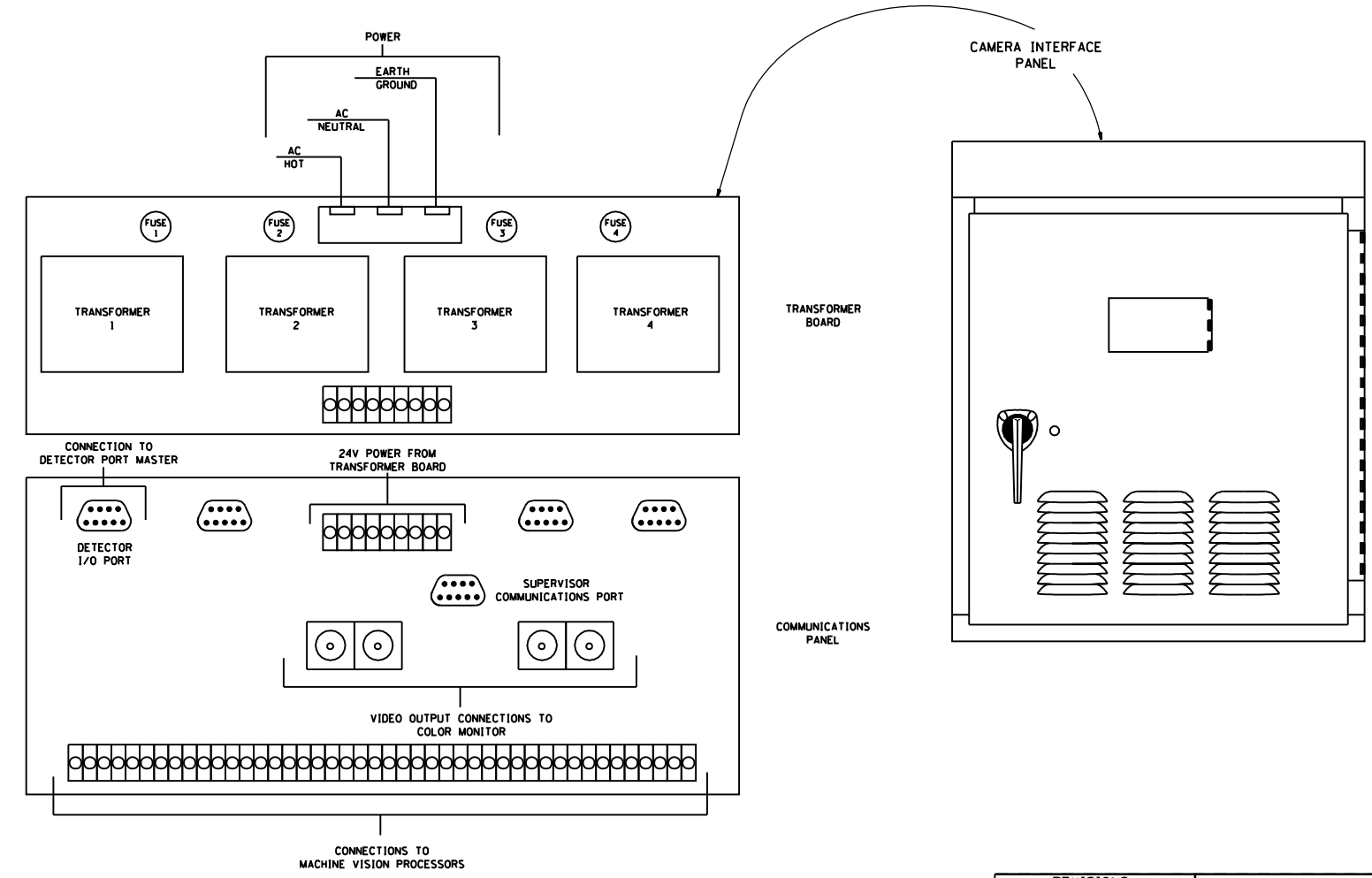


F.A.P. RTE.	SECTION	COUNTY	TOTAL SHEETS	SHEET NO.
75	.	CHRISTIAN	9	8
STA.		TO STA.		
FED. ROAD DIST. NO.	ILLINOIS	FED. AID PROJECT		

D-6 VIDEO INSTALL 2006



**VIDEO DETECTION SYSTEM INSTALLATION
ARM MOUNTED OR POLE MOUNTED CAMERA**



PLOT DATE = #DATE#
PLOT SCALE = #SCALE#

VCAMERA

REVISIONS	
NAME	DATE
WCD	31OCT97

ILLINOIS DEPARTMENT OF TRANSPORTATION
**VIDEO DETECTION SYSTEM
INSTALLATION DETAIL**
FAP 75 (IL 29)
SECTION D-6 VIDEO INSTALL 2006
CHRISTIAN COUNTY
SCALE: VERT. _____
 HORIZ. _____
DATE: MARCH 12, 1996
DRAWN BY CADD
CHECKED BY WCD